



HOW TO USE THIS INSTALL GUIDE

- 1** Open the Bookmarks menu and find your vehicle OR scroll down until you find the install guide for your vehicle.
- 2** Print only the pages for your vehicle using the advanced options in the Print menu.
- 3** Install your Maestro RR according to the guide for your vehicle.

WARNING

Pressing the printer icon or “quick printing” this document will print all of the guides in this compilation.



INSTALL GUIDE SCION FR-S 2013-2015

RETAINS STEERING WHEEL CONTROLS AND ADDS GAUGES



PRODUCTS REQUIRED

iDatalink Maestro RR Radio Replacement Interface
iDatalink Compatible Radio

OPTIONAL ACCESSORIES

None

PROGRAMMED FIRMWARE

ADS-RR(SI)-TOY01-DS

NOTICE: Automotive Data Solutions Inc. (ADS) recommends having this installation performed by a certified technician. Logos and trademarks used here in are the properties of their respective owners.

WELCOME

Congratulations on the purchase of your iDatalink Maestro RR Radio replacement solution. You are now a few simple steps away from enjoying your new car radio with enhanced features.

Before starting your installation, please ensure that your iDatalink Maestro module is programmed with the correct firmware for your vehicle and that you carefully review the install guide.

Please note that Maestro RR will only retain functionalities that were originally available in the vehicle.

NEED HELP?

 **1 866 427-2999**

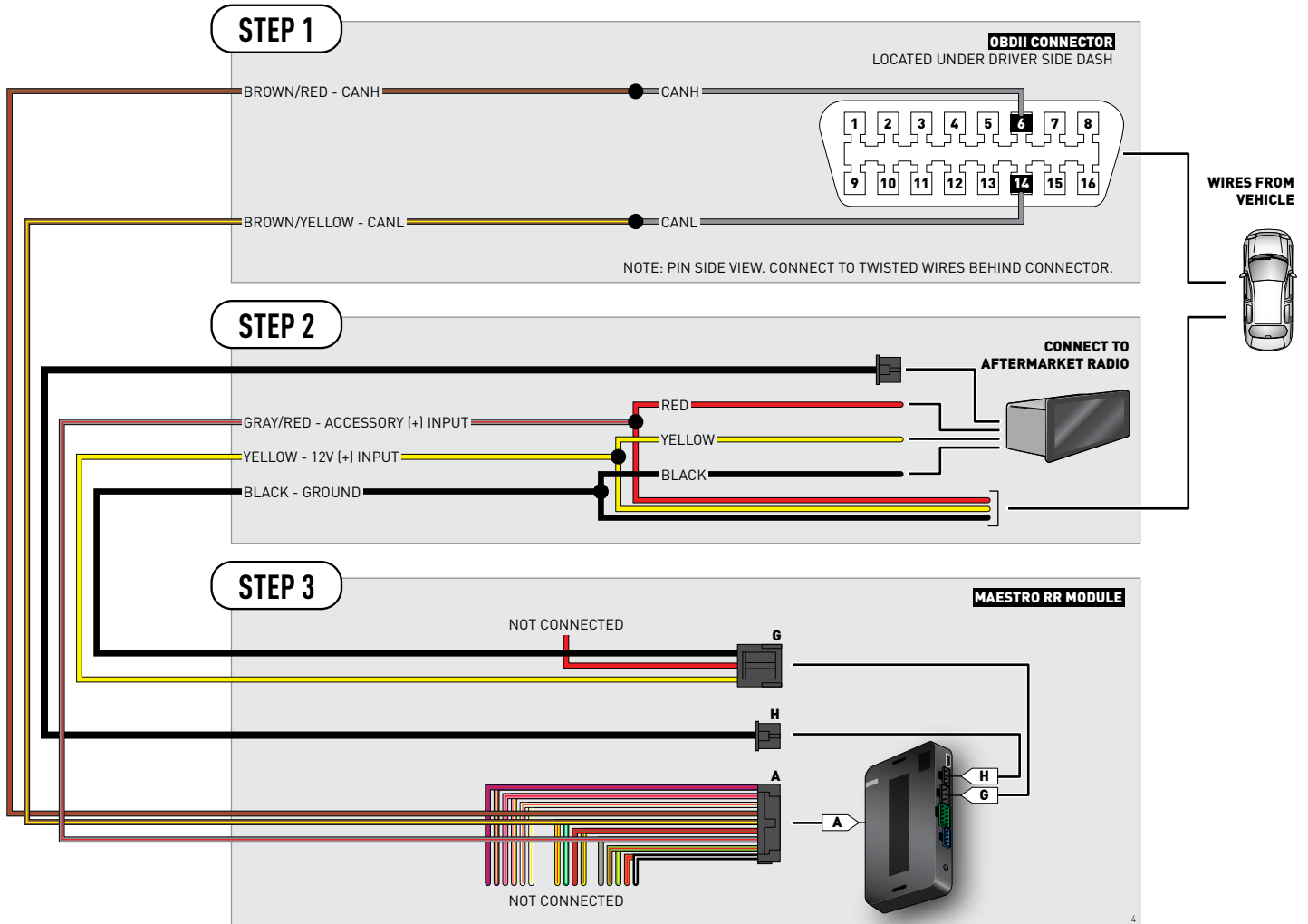
 support@idatalink.com

 maestro.idatalink.com/support
www.12voltdata.com/forum

TABLE OF CONTENTS

Wiring Diagram	3
Vehicle Wire Reference Chart	4

WIRING DIAGRAM



VEHICLE WIRE REFERENCE CHART

Wire Description	Connector Name	Connector Color	Connector Type	Position	Wire Color	Polarity	Wire Location
CanH	A	~	16 pin	06	Black/Yellow	[DATA]	OBDII connector, under driver side dash
CanL	A	~	16 pin	14	LtGreen	[DATA]	OBDII connector, under driver side dash



INSTALL GUIDE SCION IQ 2012-2015

RETAINS STEERING WHEEL CONTROLS AND ADDS GAUGES



PRODUCTS REQUIRED

iDatalink Maestro RR Radio Replacement Interface
iDatalink Compatible Radio

OPTIONAL ACCESSORIES

None

PROGRAMMED FIRMWARE

ADS-RR(SI)-TOY01-DS

NOTICE: Automotive Data Solutions Inc. (ADS) recommends having this installation performed by a certified technician. Logos and trademarks used here in are the properties of their respective owners.

WELCOME

Congratulations on the purchase of your iDatalink Maestro RR Radio replacement solution. You are now a few simple steps away from enjoying your new car radio with enhanced features.

Before starting your installation, please ensure that your iDatalink Maestro module is programmed with the correct firmware for your vehicle and that you carefully review the install guide.

Please note that Maestro RR will only retain functionalities that were originally available in the vehicle.

NEED HELP?

 **1 866 427-2999**

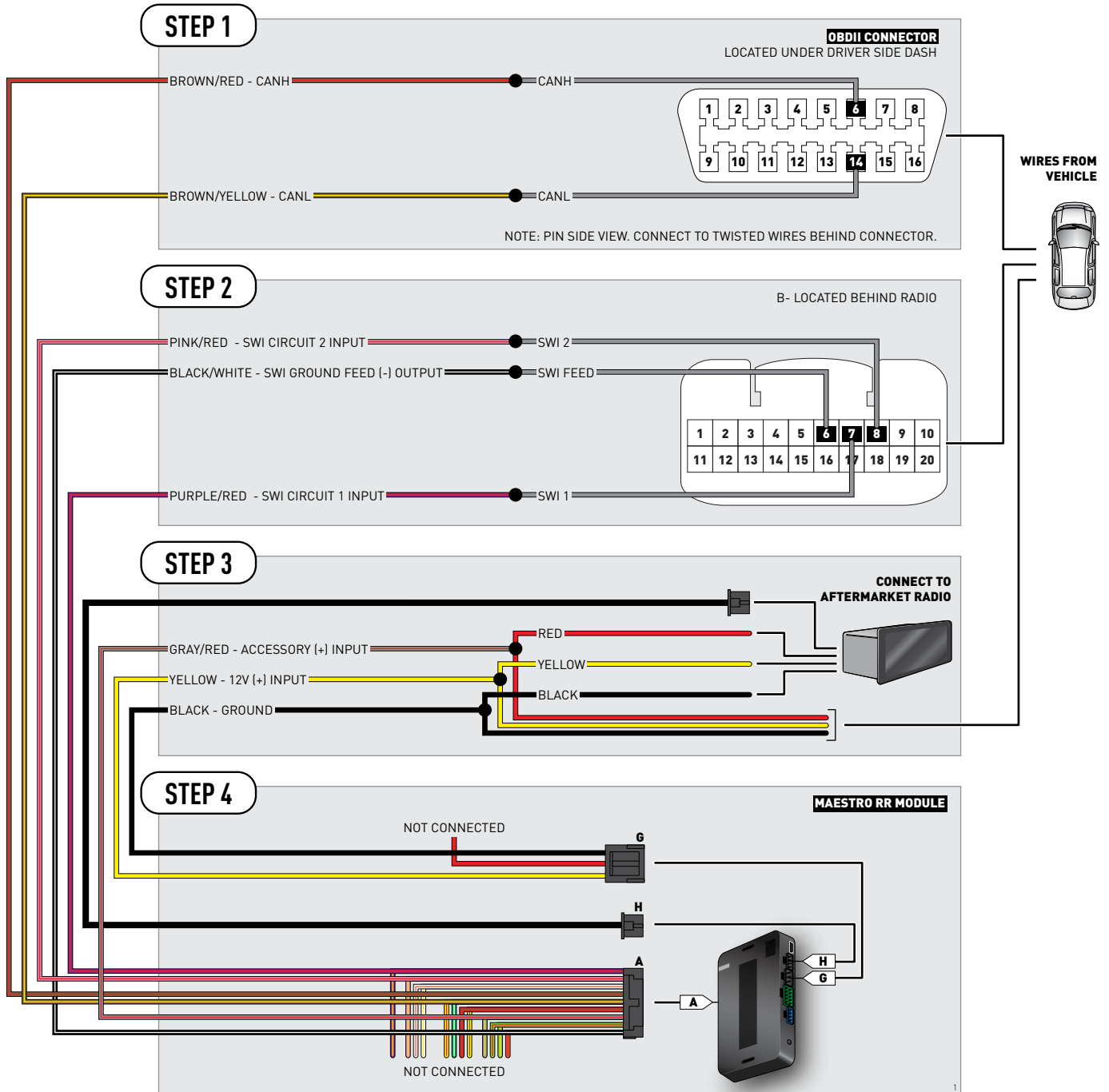
 support@idatalink.com

 maestro.idatalink.com/support
www.12voltdata.com/forum

TABLE OF CONTENTS

Wiring Diagram	3
Vehicle Wire Reference Chart	4

WIRING DIAGRAM



VEHICLE WIRE REFERENCE CHART

Wire Description	Connector Name	Connector Color	Connector Type	Position	Wire Color	Polarity	Wire Location
CanH	A	~	16 pin	06	Violet	[DATA]	OBDII connector, under driver side dash
CanL	A	~	16 pin	14	White	[DATA]	OBDII connector, under driver side dash
SWI 1	B	~	20 pin	07	Brown	[DATA]	Behind radio
SWI 2	B	~	20 pin	08	LtGreen	[DATA]	Behind radio
SWI Feed	B	~	20 pin	06	LtBlue	(-)	Behind radio



INSTALL GUIDE SCION TC 2007-2010

RETAINS STEERING WHEEL CONTROLS AND ADDS GAUGES



PRODUCTS REQUIRED

iDatalink Maestro RR Radio Replacement Interface
iDatalink Compatible Radio

OPTIONAL ACCESSORIES

None

PROGRAMMED FIRMWARE

ADS-RR(SI)-TOY01-DS

NOTICE: Automotive Data Solutions Inc. (ADS) recommends having this installation performed by a certified technician. Logos and trademarks used here in are the properties of their respective owners.

WELCOME

Congratulations on the purchase of your iDatalink Maestro RR Radio replacement solution. You are now a few simple steps away from enjoying your new car radio with enhanced features.

Before starting your installation, please ensure that your iDatalink Maestro module is programmed with the correct firmware for your vehicle and that you carefully review the install guide.

Please note that Maestro RR will only retain functionalities that were originally available in the vehicle.

NEED HELP?

 **1 866 427-2999**

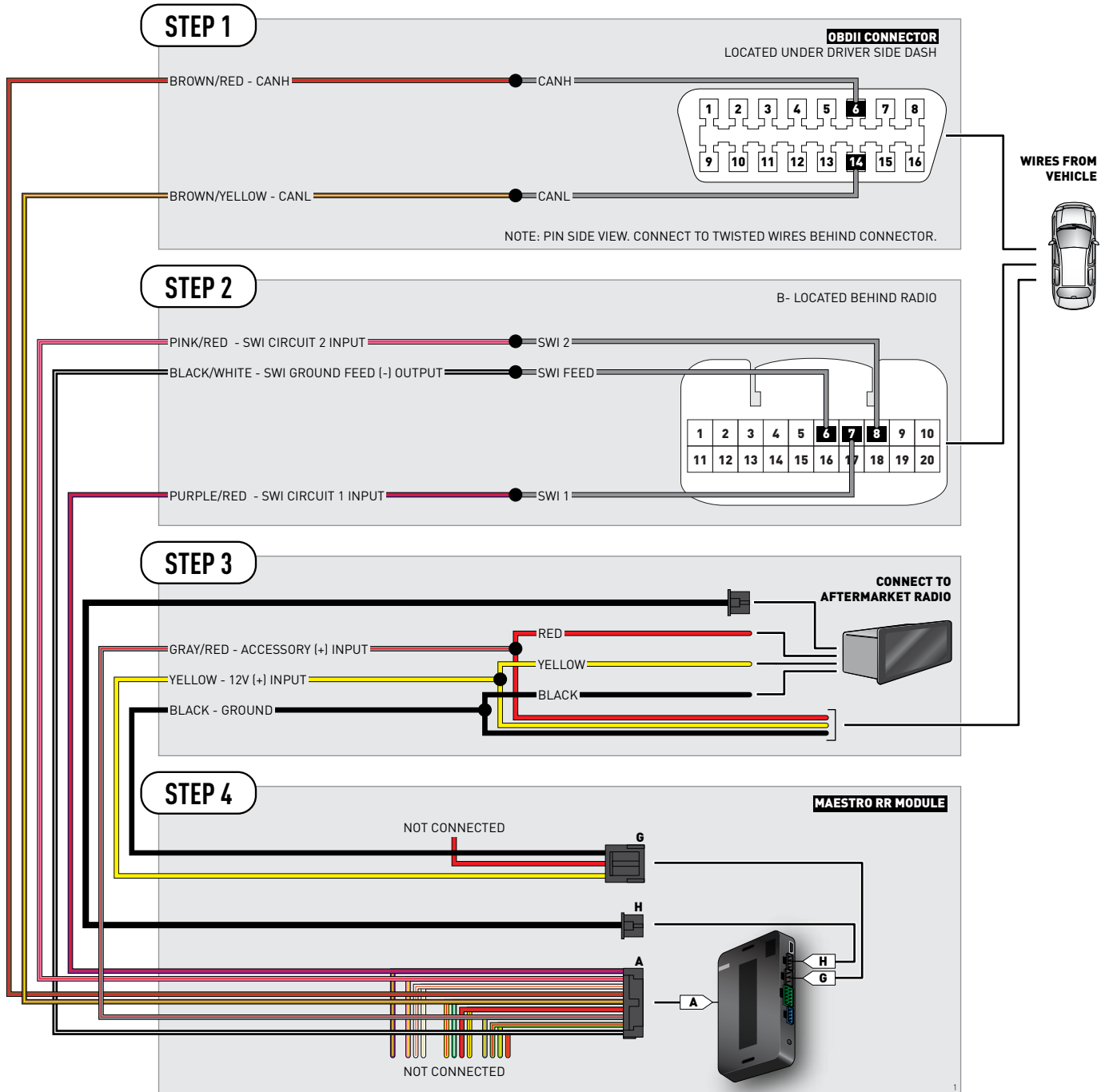
 support@idatalink.com

 maestro.idatalink.com/support
www.12voltdata.com/forum

TABLE OF CONTENTS

Wiring Diagram	3
Vehicle Wire Reference Chart	4

WIRING DIAGRAM



VEHICLE WIRE REFERENCE CHART

Wire Description	Connector Name	Connector Color	Connector Type	Position	Wire Color	Polarity	Wire Location
CanH	A	~	16 pin	06	Black	(DATA)	OBDII connector, under driver side dash
CanL	A	~	16 pin	14	White	(DATA)	OBDII connector, under driver side dash
SWI 1	B	~	20 pin	07	Pink	(DATA)	Behind radio
SWI 2	B	~	20 pin	08	Green	(DATA)	Behind radio
SWI Feed	B	~	20 pin	06	Orange	(-)	Behind radio



INSTALL GUIDE SCION TC 2011-2015

RETAINS STEERING WHEEL CONTROLS AND ADDS GAUGES



PRODUCTS REQUIRED

iDatalink Maestro RR Radio Replacement Interface
iDatalink Compatible Radio

OPTIONAL ACCESSORIES

None

PROGRAMMED FIRMWARE

ADS-RR(SI)-TOY01-DS

NOTICE: Automotive Data Solutions Inc. (ADS) recommends having this installation performed by a certified technician. Logos and trademarks used here in are the properties of their respective owners.

WELCOME

Congratulations on the purchase of your iDatalink Maestro RR Radio replacement solution. You are now a few simple steps away from enjoying your new car radio with enhanced features.

Before starting your installation, please ensure that your iDatalink Maestro module is programmed with the correct firmware for your vehicle and that you carefully review the install guide.

Please note that Maestro RR will only retain functionalities that were originally available in the vehicle.

NEED HELP?

 **1 866 427-2999**

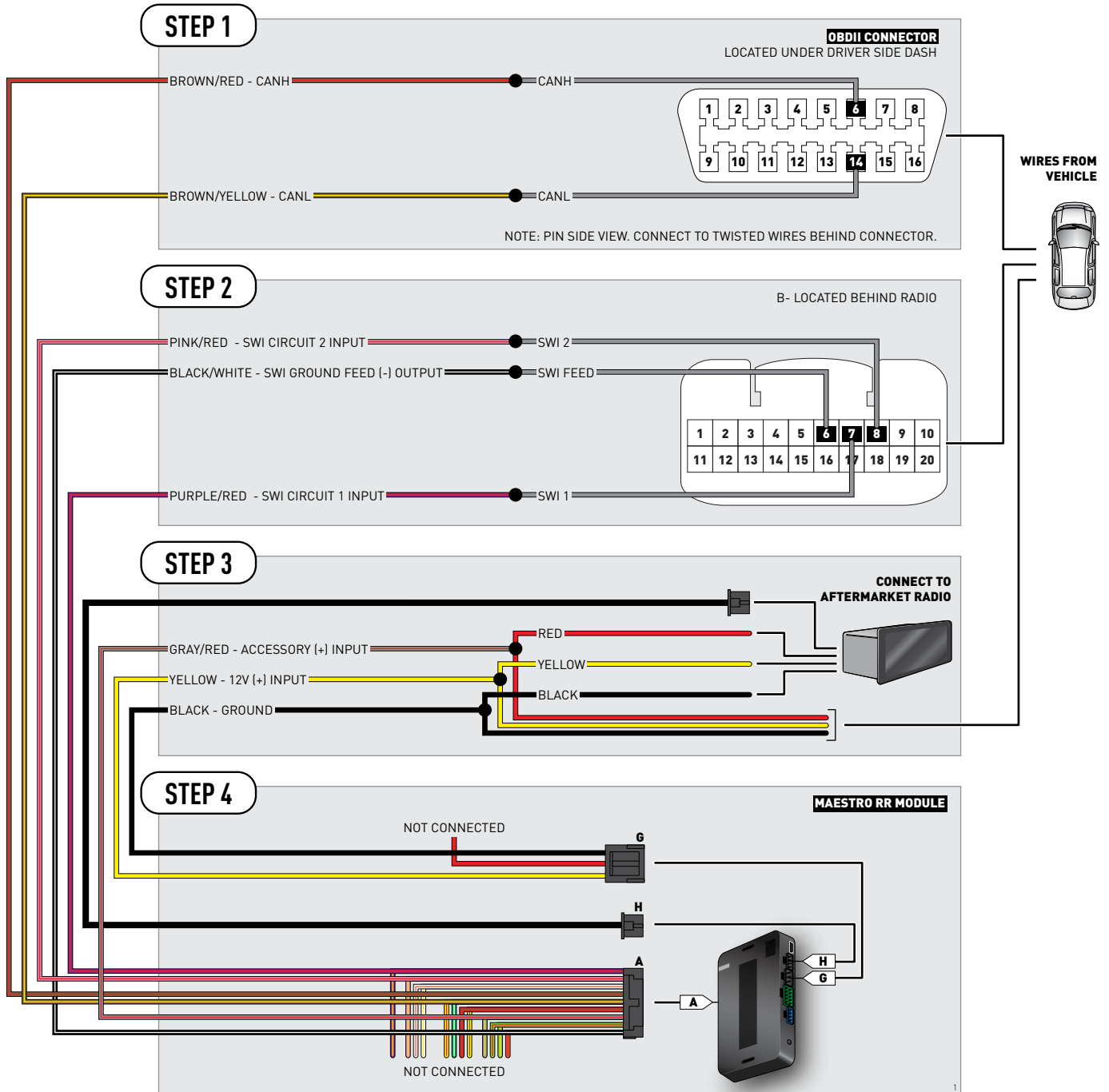
 support@idatalink.com

 maestro.idatalink.com/support
www.12voltdata.com/forum

TABLE OF CONTENTS

Wiring Diagram	3
Vehicle Wire Reference Chart	4

WIRING DIAGRAM



VEHICLE WIRE REFERENCE CHART

Wire Description	Connector Name	Connector Color	Connector Type	Position	Wire Color	Polarity	Wire Location
CanH	A	~	16 pin	06	LtGreen	(DATA)	OBDII connector, under driver side dash
CanL	A	~	16 pin	14	White	(DATA)	OBDII connector, under driver side dash
SWI 1	B	~	20 pin	07	Yellow	(DATA)	Behind radio
SWI 2	B	~	20 pin	08	Green	(DATA)	Behind radio
SWI Feed	B	~	20 pin	06	Gray	(-)	Behind radio



INSTALL GUIDE SCION XB 2008-2012

RETAINS STEERING WHEEL CONTROLS AND ADDS GAUGES



PRODUCTS REQUIRED

iDatalink Maestro RR Radio Replacement Interface
iDatalink Compatible Radio

OPTIONAL ACCESSORIES

None

PROGRAMMED FIRMWARE

ADS-RR(SI)-TOY01-DS

NOTICE: Automotive Data Solutions Inc. (ADS) recommends having this installation performed by a certified technician. Logos and trademarks used here in are the properties of their respective owners.

WELCOME

Congratulations on the purchase of your iDatalink Maestro RR Radio replacement solution. You are now a few simple steps away from enjoying your new car radio with enhanced features.

Before starting your installation, please ensure that your iDatalink Maestro module is programmed with the correct firmware for your vehicle and that you carefully review the install guide.

Please note that Maestro RR will only retain functionalities that were originally available in the vehicle.

NEED HELP?

 **1 866 427-2999**

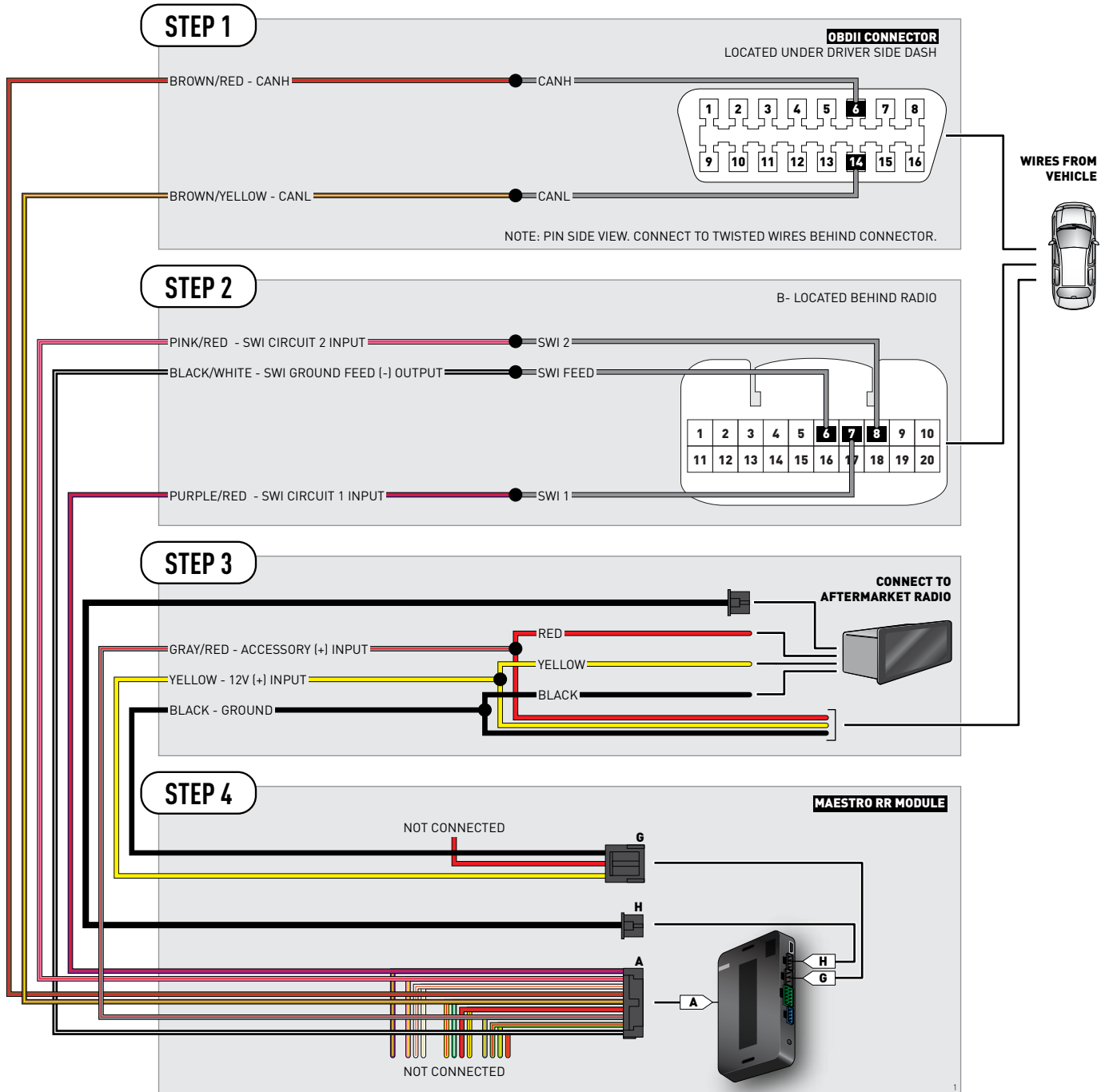
 support@idatalink.com

 maestro.idatalink.com/support
www.12voltdata.com/forum

TABLE OF CONTENTS

Wiring Diagram	3
Vehicle Wire Reference Chart	4

WIRING DIAGRAM



VEHICLE WIRE REFERENCE CHART

Wire Description	Connector Name	Connector Color	Connector Type	Position	Wire Color	Polarity	Wire Location
CanH	A	~	16 pin	06	LtGreen	(DATA)	OBDII connector, under driver side dash
CanL	A	~	16 pin	14	White	(DATA)	OBDII connector, under driver side dash
SWI 1	B	~	20 pin	07	White	(DATA)	Behind radio
SWI 2	B	~	20 pin	08	Red	(DATA)	Behind radio
SWI Feed	B	~	20 pin	06	Black	(-)	Behind radio



INSTALL GUIDE SCION XD 2008-2014

RETAINS STEERING WHEEL CONTROLS AND ADDS GAUGES



PRODUCTS REQUIRED

iDatalink Maestro RR Radio Replacement Interface
iDatalink Compatible Radio

OPTIONAL ACCESSORIES

None

PROGRAMMED FIRMWARE

ADS-RR(SI)-TOY01-DS

NOTICE: Automotive Data Solutions Inc. (ADS) recommends having this installation performed by a certified technician. Logos and trademarks used here in are the properties of their respective owners.

WELCOME

Congratulations on the purchase of your iDatalink Maestro RR Radio replacement solution. You are now a few simple steps away from enjoying your new car radio with enhanced features.

Before starting your installation, please ensure that your iDatalink Maestro module is programmed with the correct firmware for your vehicle and that you carefully review the install guide.

Please note that Maestro RR will only retain functionalities that were originally available in the vehicle.

NEED HELP?

 **1 866 427-2999**

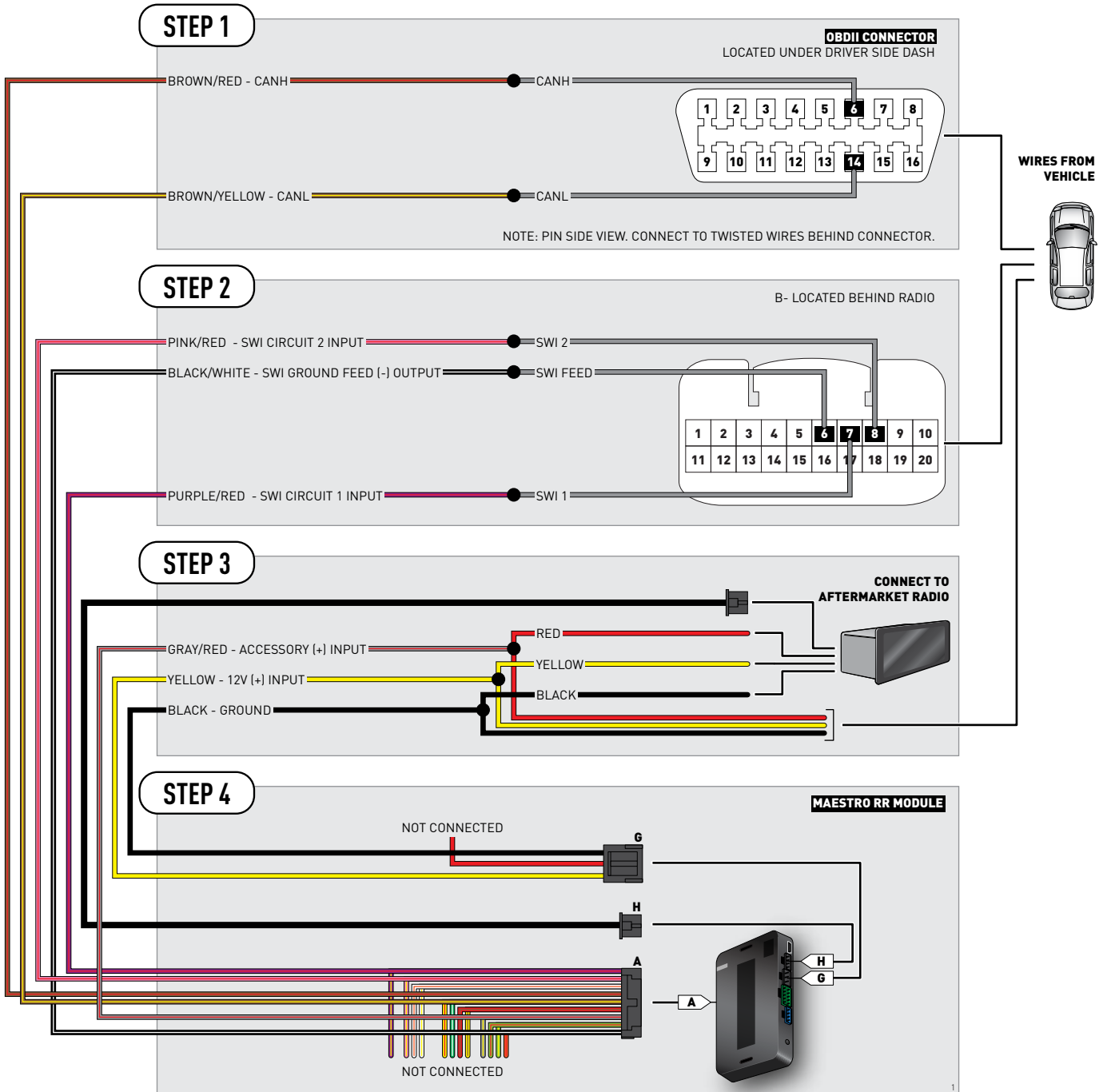
 support@idatalink.com

 maestro.idatalink.com/support
www.12voltdata.com/forum

TABLE OF CONTENTS

Wiring Diagram	3
Vehicle Wire Reference Chart	4

WIRING DIAGRAM



VEHICLE WIRE REFERENCE CHART

Wire Description	Connector Name	Connector Color	Connector Type	Position	Wire Color	Polarity	Wire Location
CanH	A	~	16 pin	06	Violet	(DATA)	OBDII connector, under driver side dash
CanL	A	~	16 pin	14	White	(DATA)	OBDII connector, under driver side dash
SWI 1	B	~	20 pin	07	Pink	(DATA)	Behind radio
SWI 2	B	~	20 pin	08	Orange or Tan	(DATA)	Behind radio
SWI Feed	B	~	20 pin	06	Green	(-)	Behind radio



INSTALL GUIDE TOYOTA 4 RUNNER 2005-2009

RETAINS STEERING WHEEL CONTROLS AND ADDS GAUGES



PRODUCTS REQUIRED

iDatalink Maestro RR Radio Replacement Interface
iDatalink Compatible Radio

OPTIONAL ACCESSORIES

None

PROGRAMMED FIRMWARE

ADS-RR(SI)-TOY01-DS

NOTICE: Automotive Data Solutions Inc. (ADS) recommends having this installation performed by a certified technician. Logos and trademarks used here in are the properties of their respective owners.

WELCOME

Congratulations on the purchase of your iDatalink Maestro RR Radio replacement solution. You are now a few simple steps away from enjoying your new car radio with enhanced features.

Before starting your installation, please ensure that your iDatalink Maestro module is programmed with the correct firmware for your vehicle and that you carefully review the install guide.

Please note that Maestro RR will only retain functionalities that were originally available in the vehicle.

NEED HELP?

 **1 866 427-2999**

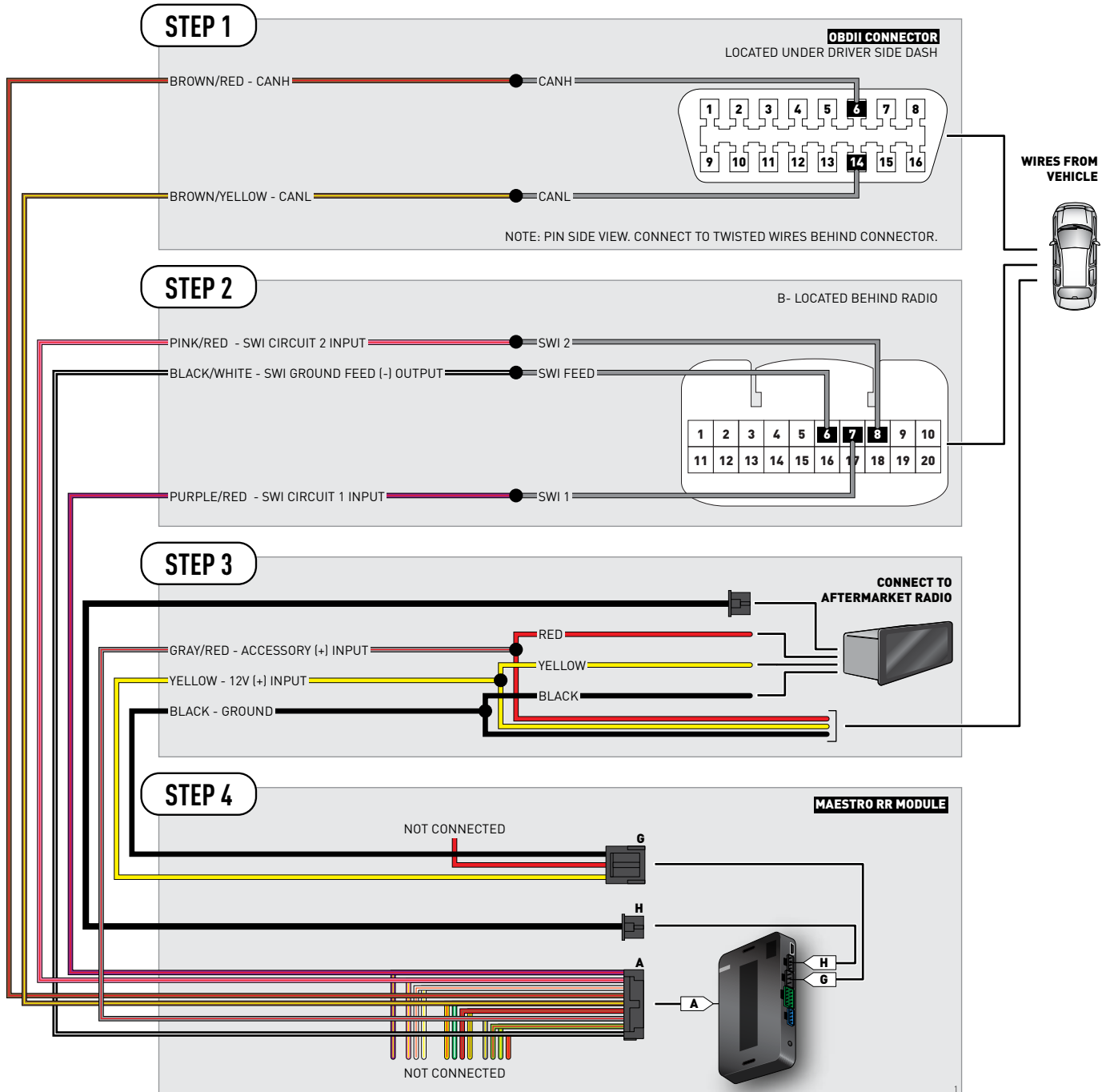
 support@idatalink.com

 maestro.idatalink.com/support
www.12voltdata.com/forum

TABLE OF CONTENTS

Wiring Diagram	3
Vehicle Wire Reference Chart	4

WIRING DIAGRAM



VEHICLE WIRE REFERENCE CHART

Wire Description	Connector Name	Connector Color	Connector Type	Position	Wire Color	Polarity	Wire Location
CanH	A	~	16 pin	06	Pink	(DATA)	OBDII connector, under driver side dash
CanL	A	~	16 pin	14	Violet	(DATA)	OBDII connector, under driver side dash
SWI 1	B	~	20 pin	07	Violet/White	(DATA)	Behind radio
SWI 2	B	~	20 pin	08	Yellow/Black	(DATA)	Behind radio
SWI Feed	B	~	20 pin	06	White/Red	(-)	Behind radio



INSTALL GUIDE TOYOTA 4 RUNNER 2010-2011

RETAINS STEERING WHEEL CONTROLS AND ADDS GAUGES



PRODUCTS REQUIRED

iDatalink Maestro RR Radio Replacement Interface
iDatalink Compatible Radio

OPTIONAL ACCESSORIES

None

PROGRAMMED FIRMWARE

ADS-RR(SI)-TOY01-DS

NOTICE: Automotive Data Solutions Inc. (ADS) recommends having this installation performed by a certified technician. Logos and trademarks used here in are the properties of their respective owners.

WELCOME

Congratulations on the purchase of your iDatalink Maestro RR Radio replacement solution. You are now a few simple steps away from enjoying your new car radio with enhanced features.

Before starting your installation, please ensure that your iDatalink Maestro module is programmed with the correct firmware for your vehicle and that you carefully review the install guide.

Please note that Maestro RR will only retain functionalities that were originally available in the vehicle.

NEED HELP?

 **1 866 427-2999**

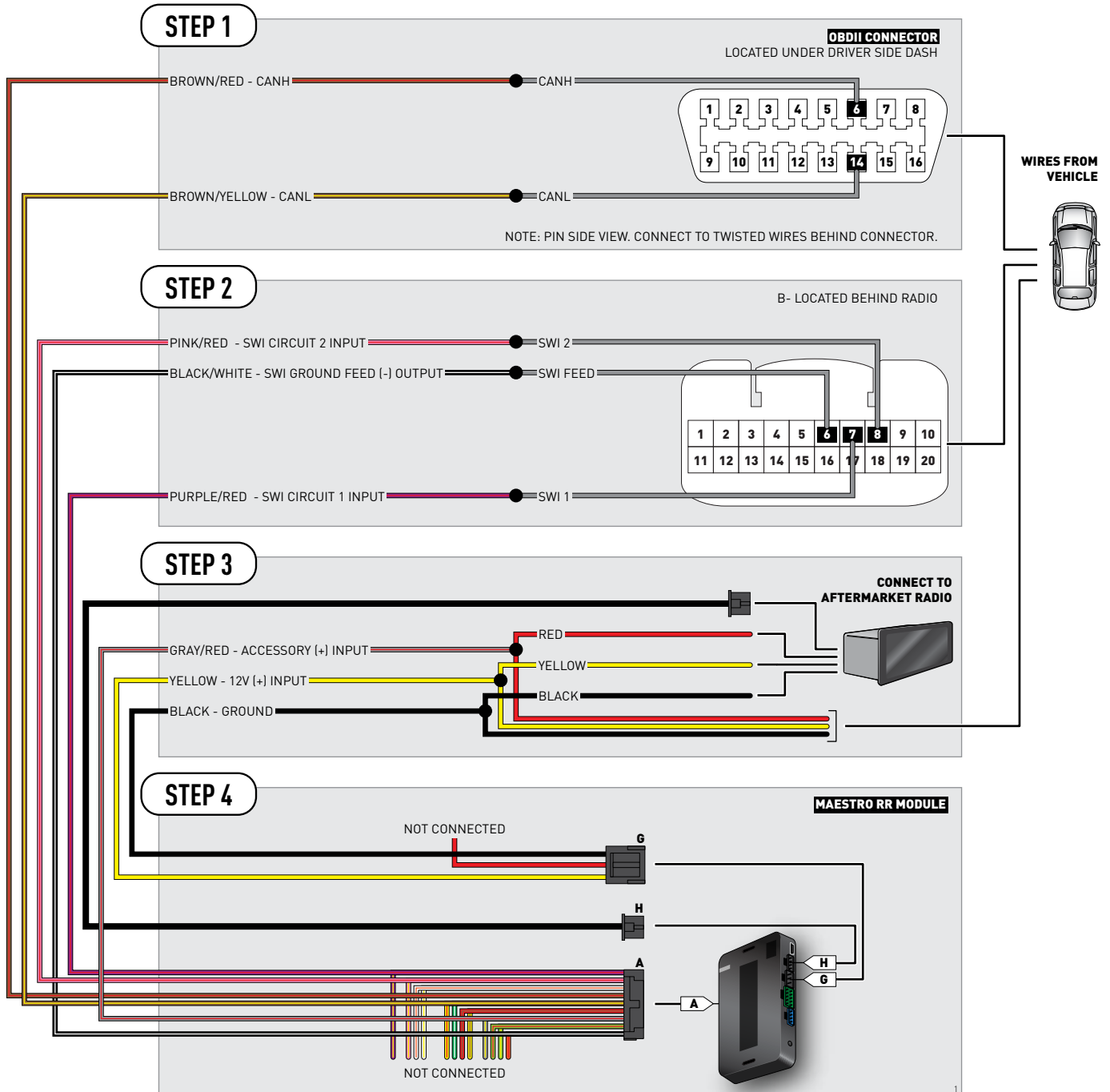
 support@idatalink.com

 maestro.idatalink.com/support
www.12voltdata.com/forum

TABLE OF CONTENTS

Wiring Diagram	3
Vehicle Wire Reference Chart	4

WIRING DIAGRAM



VEHICLE WIRE REFERENCE CHART

Wire Description	Connector Name	Connector Color	Connector Type	Position	Wire Color	Polarity	Wire Location
CanH	A	~	16 pin	06	Violet	(DATA)	OBDII connector, under driver side dash
CanL	A	~	16 pin	14	White	(DATA)	OBDII connector, under driver side dash
SWI 1	B	~	20 pin	07	White	(DATA)	Behind radio
SWI 2	B	~	20 pin	08	Red	(DATA)	Behind radio
SWI Feed	B	~	20 pin	06	Blue	(-)	Behind radio



INSTALL GUIDE TOYOTA 4 RUNNER 2012-2013

RETAINS STEERING WHEEL CONTROLS AND ADDS GAUGES



PRODUCTS REQUIRED

iDatalink Maestro RR Radio Replacement Interface
iDatalink Compatible Radio

OPTIONAL ACCESSORIES

None

PROGRAMMED FIRMWARE

ADS-RR(SI)-TOY01-DS

NOTICE: Automotive Data Solutions Inc. (ADS) recommends having this installation performed by a certified technician. Logos and trademarks used here in are the properties of their respective owners.

WELCOME

Congratulations on the purchase of your iDatalink Maestro RR Radio replacement solution. You are now a few simple steps away from enjoying your new car radio with enhanced features.

Before starting your installation, please ensure that your iDatalink Maestro module is programmed with the correct firmware for your vehicle and that you carefully review the install guide.

Please note that Maestro RR will only retain functionalities that were originally available in the vehicle.

NEED HELP?

 **1 866 427-2999**

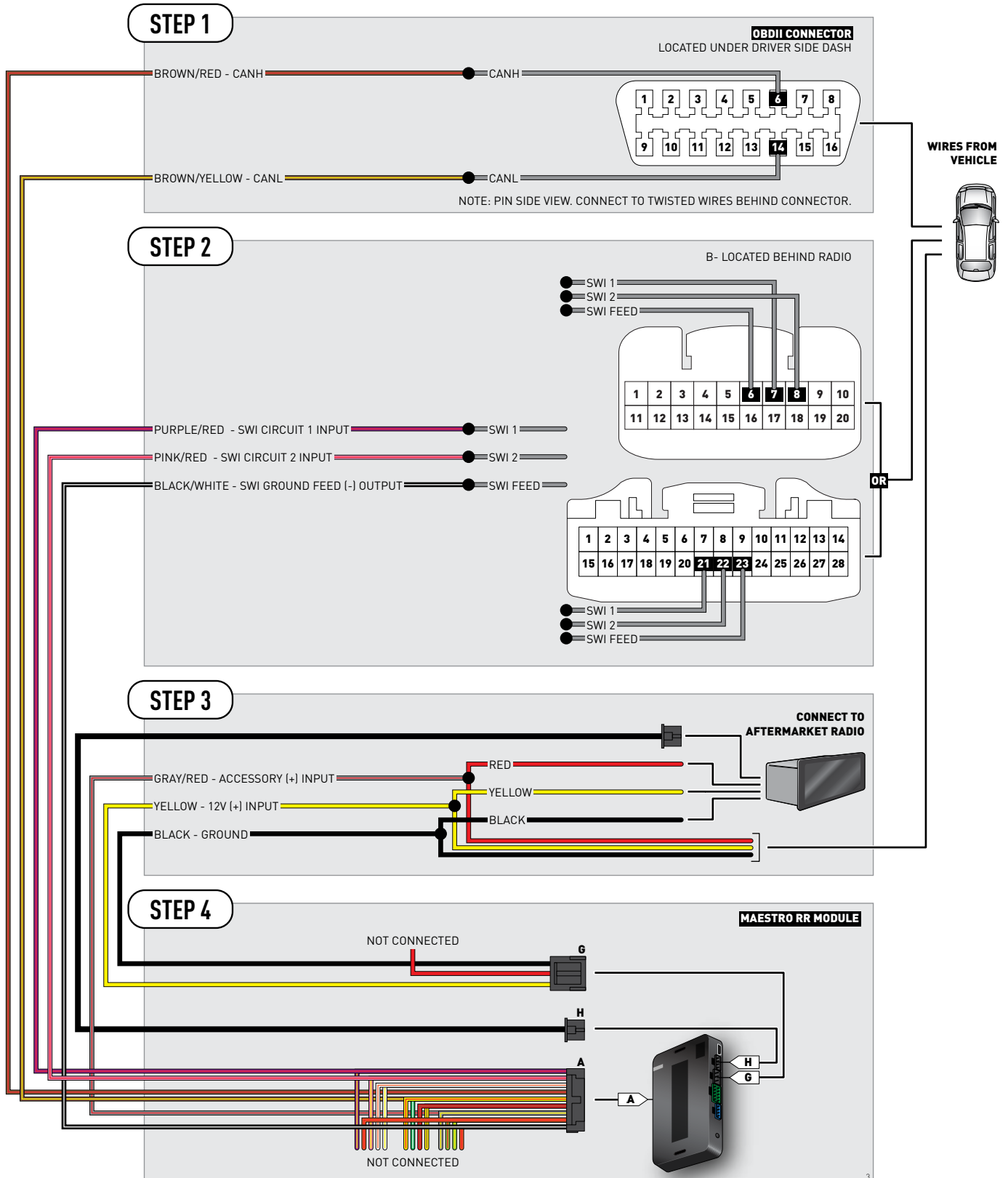
 support@idatalink.com

 maestro.idatalink.com/support
www.12voltdata.com/forum

TABLE OF CONTENTS

Wiring Diagram	3
Vehicle Wire Reference Chart	4

WIRING DIAGRAM



VEHICLE WIRE REFERENCE CHART

Wire Description	Connector Name	Connector Color	Connector Type	Position	Wire Color	Polarity	Wire Location
CanH	A	~	16 pin	06	Violet	(DATA)	OBDII connector, under driver side dash
CanL	A	~	16 pin	14	White	(DATA)	OBDII connector, under driver side dash
SWI 1	B	~	20 or 28 pin	07 or 21	White	(DATA)	Behind radio
SWI 2	B	~	20 or 28 pin	08 or 22	Red	(DATA)	Behind radio
SWI Feed	B	~	20 or 28 pin	06 or 23	Blue	(-)	Behind radio



INSTALL GUIDE TOYOTA 4 RUNNER 2014-2015

RETAINS STEERING WHEEL CONTROLS AND ADDS GAUGES



PRODUCTS REQUIRED

iDatalink Maestro RR Radio Replacement Interface
iDatalink Compatible Radio

OPTIONAL ACCESSORIES

None

PROGRAMMED FIRMWARE

ADS-RR(SI)-TOY01-DS

NOTICE: Automotive Data Solutions Inc. (ADS) recommends having this installation performed by a certified technician. Logos and trademarks used here in are the properties of their respective owners.

WELCOME

Congratulations on the purchase of your iDatalink Maestro RR Radio replacement solution. You are now a few simple steps away from enjoying your new car radio with enhanced features.

Before starting your installation, please ensure that your iDatalink Maestro module is programmed with the correct firmware for your vehicle and that you carefully review the install guide.

Please note that Maestro RR will only retain functionalities that were originally available in the vehicle.

NEED HELP?

 **1 866 427-2999**

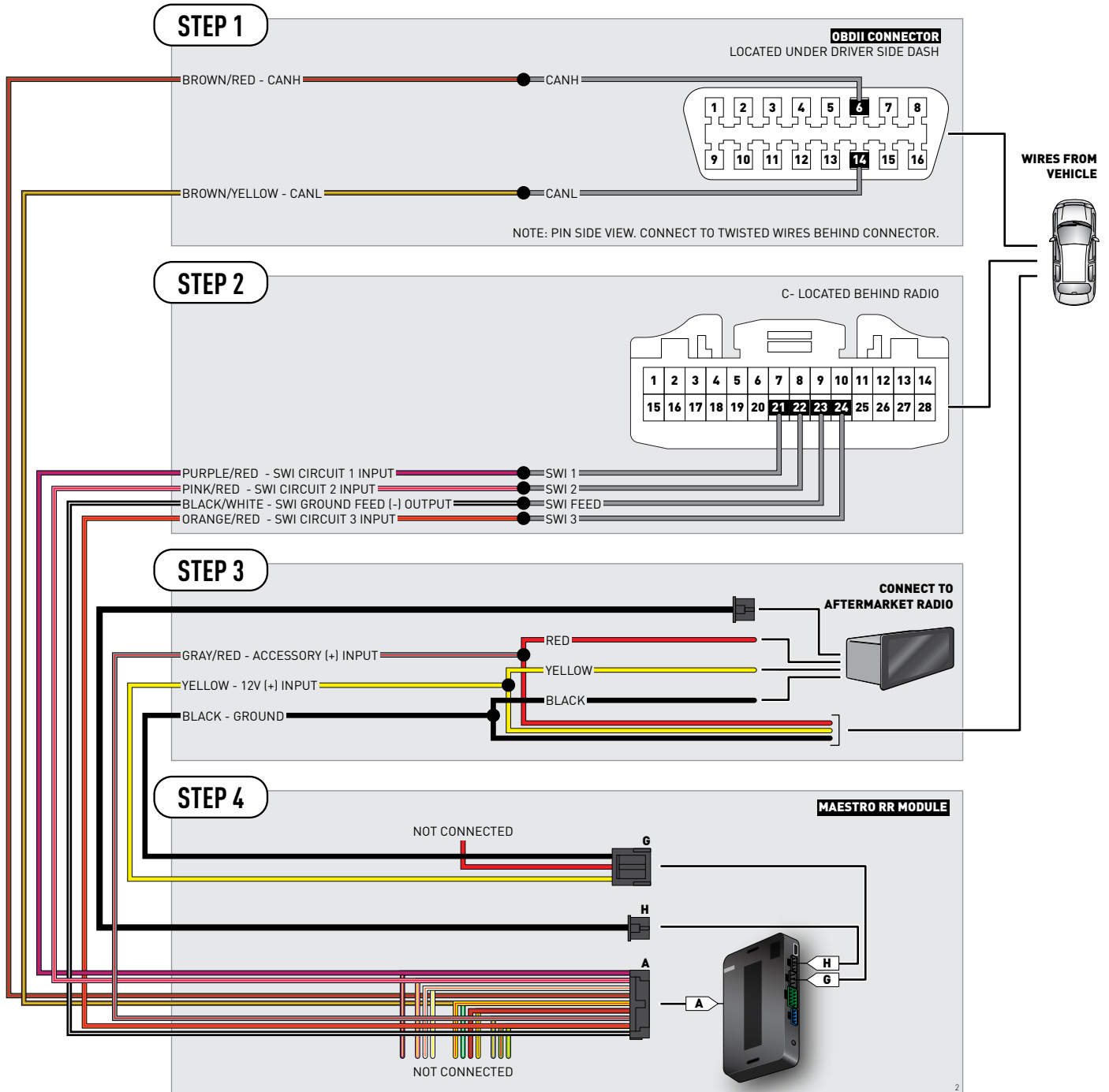
 support@idatalink.com

 maestro.idatalink.com/support
www.12voltdata.com/forum

TABLE OF CONTENTS

Wiring Diagram	3
Vehicle Wire Reference Chart	4

WIRING DIAGRAM



VEHICLE WIRE REFERENCE CHART

Wire Description	Connector Name	Connector Color	Connector Type	Position	Wire Color	Polarity	Wire Location
CanH	A	~	16 pin	06	Violet	(DATA)	OBDII connector, under driver side dash
CanL	A	~	16 pin	14	White	(DATA)	OBDII connector, under driver side dash
SWI 1	B	~	28 pin	21	White	(DATA)	Behind radio
SWI 2	B	~	28 pin	22	Red	(DATA)	Behind radio
SWI 3	B	~	28 pin	24	Pink	(DATA)	Behind radio
SWI Feed	B	~	28 pin	23	Blue	(-)	Behind radio



INSTALL GUIDE TOYOTA AVALON 2006-2012

RETAINS STEERING WHEEL CONTROLS AND ADDS GAUGES



PRODUCTS REQUIRED

iDatalink Maestro RR Radio Replacement Interface
iDatalink Compatible Radio

OPTIONAL ACCESSORIES

None

PROGRAMMED FIRMWARE

ADS-RR(SI)-TOY01-DS

NOTICE: Automotive Data Solutions Inc. (ADS) recommends having this installation performed by a certified technician. Logos and trademarks used here in are the properties of their respective owners.

WELCOME

Congratulations on the purchase of your iDatalink Maestro RR Radio replacement solution. You are now a few simple steps away from enjoying your new car radio with enhanced features.

Before starting your installation, please ensure that your iDatalink Maestro module is programmed with the correct firmware for your vehicle and that you carefully review the install guide.

Please note that Maestro RR will only retain functionalities that were originally available in the vehicle.

NEED HELP?

 **1 866 427-2999**

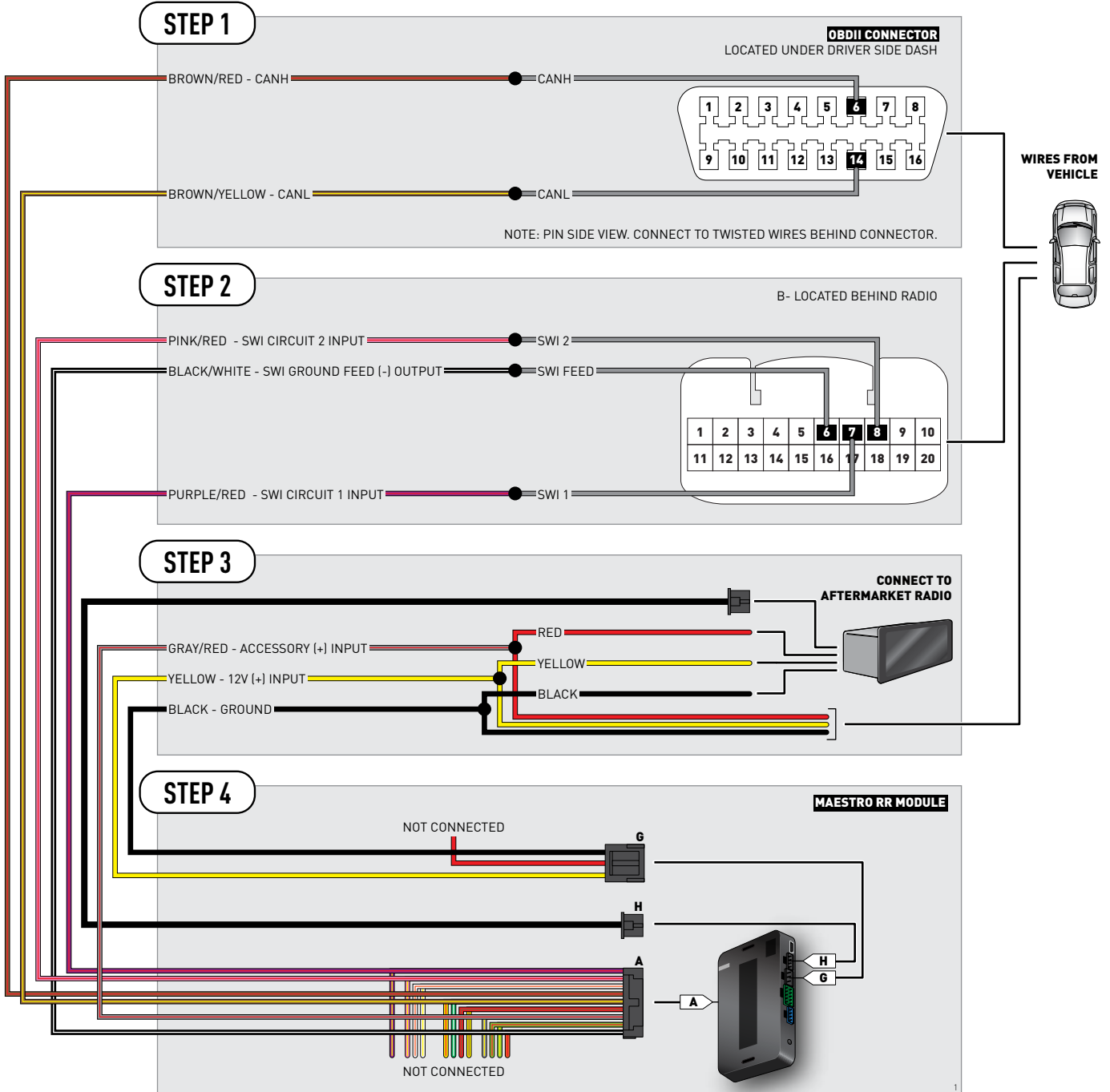
 support@idatalink.com

 maestro.idatalink.com/support
www.12voltdata.com/forum

TABLE OF CONTENTS

Wiring Diagram	3
Vehicle Wire Reference Chart	4

WIRING DIAGRAM



VEHICLE WIRE REFERENCE CHART

Wire Description	Connector Name	Connector Color	Connector Type	Position	Wire Color	Polarity	Wire Location
CanH	A	~	16 pin	06	Pink	(DATA)	OBDII connector, under driver side dash
CanL	A	~	16 pin	14	White or Orange	(DATA)	OBDII connector, under driver side dash
SWI 1	B	~	20 pin	07	Orange	(DATA)	Behind radio
SWI 2	B	~	20 pin	08	Violet	(DATA)	Behind radio
SWI Feed	B	~	20 pin	06	Black	(-)	Behind radio



INSTALL GUIDE TOYOTA AVALON 2013-2014

RETAINS STEERING WHEEL CONTROLS AND ADDS GAUGES



PRODUCTS REQUIRED

iDatalink Maestro RR Radio Replacement Interface
iDatalink Compatible Radio

OPTIONAL ACCESSORIES

None

PROGRAMMED FIRMWARE

ADS-RR(SI)-TOY01-DS

NOTICE: Automotive Data Solutions Inc. (ADS) recommends having this installation performed by a certified technician. Logos and trademarks used here in are the properties of their respective owners.

WELCOME

Congratulations on the purchase of your iDatalink Maestro RR Radio replacement solution. You are now a few simple steps away from enjoying your new car radio with enhanced features.

Before starting your installation, please ensure that your iDatalink Maestro module is programmed with the correct firmware for your vehicle and that you carefully review the install guide.

Please note that Maestro RR will only retain functionalities that were originally available in the vehicle.

NEED HELP?

 **1 866 427-2999**

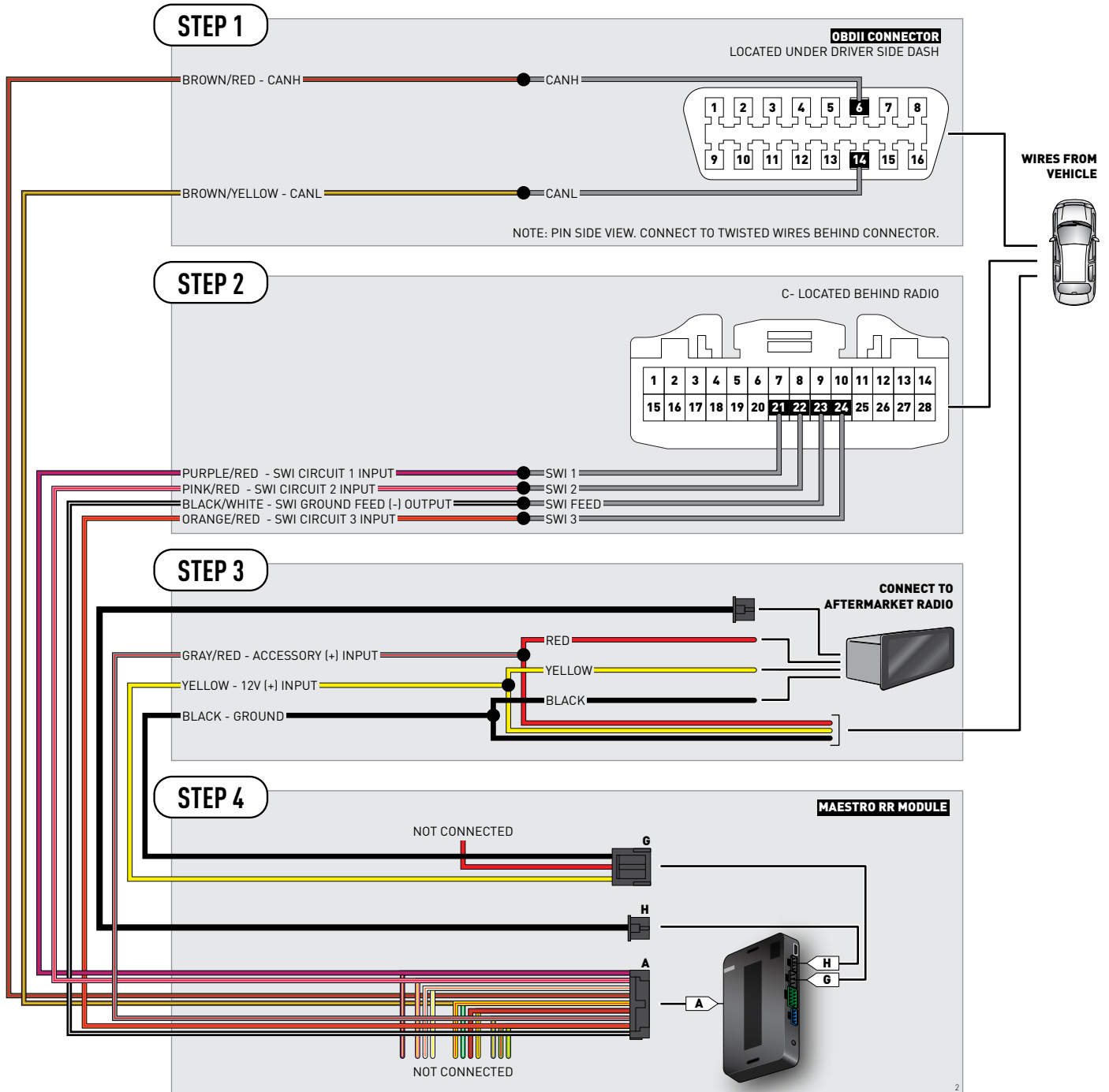
 **support@idatalink.com**

 **maestro.idatalink.com/support
www.12voltdata.com/forum**

TABLE OF CONTENTS

Wiring Diagram	3
Vehicle Wire Reference Chart	4

WIRING DIAGRAM



VEHICLE WIRE REFERENCE CHART

Wire Description	Connector Name	Connector Color	Connector Type	Position	Wire Color	Polarity	Wire Location
CanH	A	~	16 pin	06	Blue	(DATA)	OBDII connector, under driver side dash
CanL	A	~	16 pin	14	White	(DATA)	OBDII connector, under driver side dash
SWI 1	B	~	28 pin	21	Black	(DATA)	Behind radio
SWI 2	B	~	28 pin	22	Yellow	(DATA)	Behind radio
SWI 3	B	~	28 pin	24	Blue	(DATA)	Behind radio
SWI Feed	B	~	28 pin	23	Pink	(-)	Behind radio



INSTALL GUIDE TOYOTA CAMRY 2007-2011

RETAINS STEERING WHEEL CONTROLS AND ADDS GAUGES



PRODUCTS REQUIRED

iDatalink Maestro RR Radio Replacement Interface
iDatalink Compatible Radio

OPTIONAL ACCESSORIES

None

PROGRAMMED FIRMWARE

ADS-RR(SI)-TOY01-DS

NOTICE: Automotive Data Solutions Inc. (ADS) recommends having this installation performed by a certified technician. Logos and trademarks used here in are the properties of their respective owners.

WELCOME

Congratulations on the purchase of your iDatalink Maestro RR Radio replacement solution. You are now a few simple steps away from enjoying your new car radio with enhanced features.

Before starting your installation, please ensure that your iDatalink Maestro module is programmed with the correct firmware for your vehicle and that you carefully review the install guide.

Please note that Maestro RR will only retain functionalities that were originally available in the vehicle.

NEED HELP?

 **1 866 427-2999**

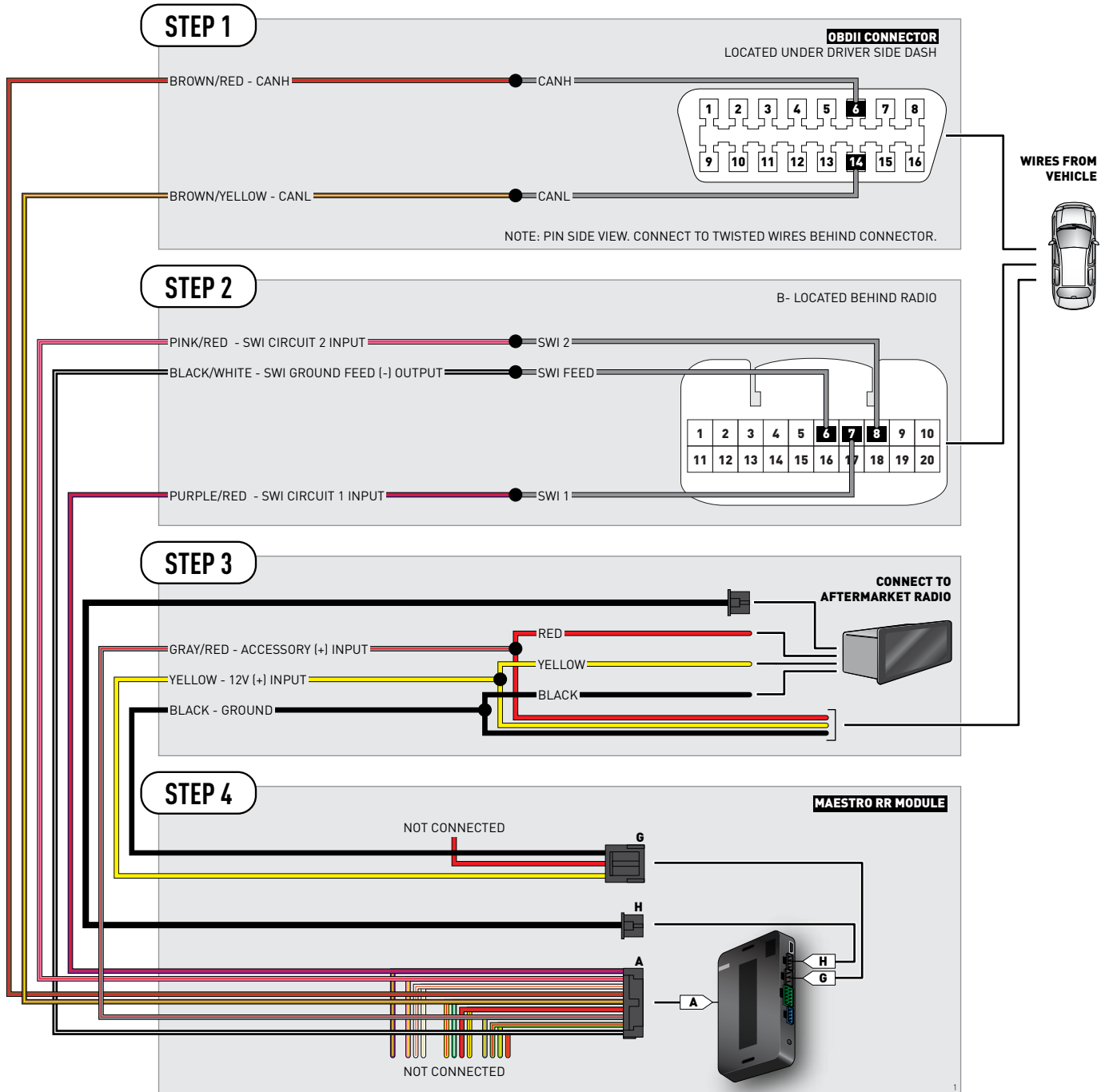
 support@idatalink.com

 maestro.idatalink.com/support
www.12voltdata.com/forum

TABLE OF CONTENTS

Wiring Diagram	3
Vehicle Wire Reference Chart	4

WIRING DIAGRAM



VEHICLE WIRE REFERENCE CHART

Wire Description	Connector Name	Connector Color	Connector Type	Position	Wire Color	Polarity	Wire Location
CanH	A	~	16 pin	06	Black	[DATA]	OBDII connector, under driver side dash
CanL	A	~	16 pin	14	White	[DATA]	OBDII connector, under driver side dash
SWI 1	B	~	20 pin	07	Orange	[DATA]	Behind radio
SWI 2	B	~	20 pin	08	Yellow	[DATA]	Behind radio
SWI Feed	B	~	20 pin	06	Pink	(-)	Behind radio



INSTALL GUIDE TOYOTA CAMRY 2012-2015

RETAINS STEERING WHEEL CONTROLS AND ADDS GAUGES



PRODUCTS REQUIRED

iDatalink Maestro RR Radio Replacement Interface
iDatalink Compatible Radio

OPTIONAL ACCESSORIES

None

PROGRAMMED FIRMWARE

ADS-RR(SI)-TOY01-DS

NOTICE: Automotive Data Solutions Inc. (ADS) recommends having this installation performed by a certified technician. Logos and trademarks used here in are the properties of their respective owners.

WELCOME

Congratulations on the purchase of your iDatalink Maestro RR Radio replacement solution. You are now a few simple steps away from enjoying your new car radio with enhanced features.

Before starting your installation, please ensure that your iDatalink Maestro module is programmed with the correct firmware for your vehicle and that you carefully review the install guide.

Please note that Maestro RR will only retain functionalities that were originally available in the vehicle.

NEED HELP?

 **1 866 427-2999**

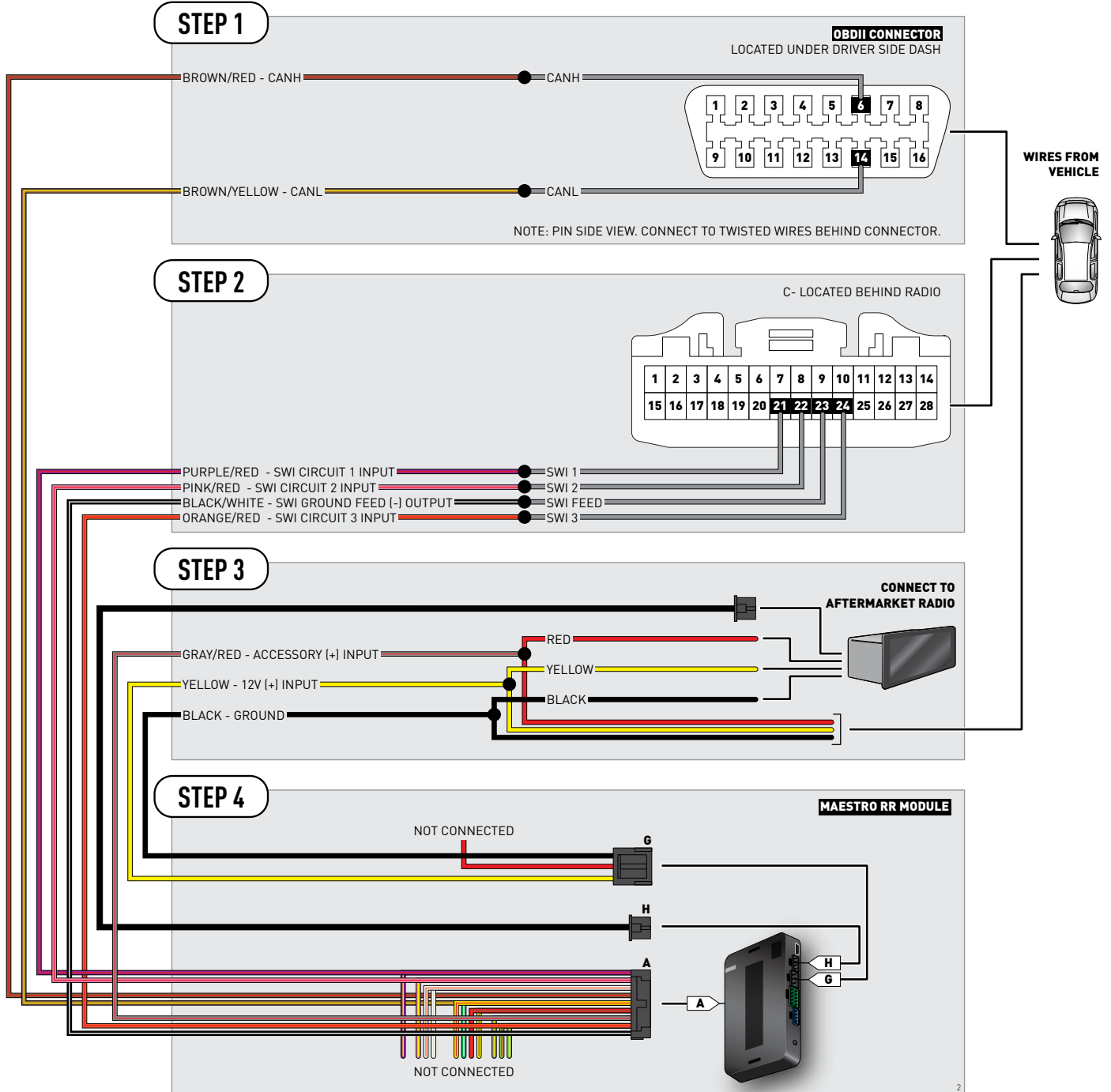
 support@idatalink.com

 maestro.idatalink.com/support
www.12voltdata.com/forum

TABLE OF CONTENTS

Wiring Diagram	3
Vehicle Wire Reference Chart	4

WIRING DIAGRAM



VEHICLE WIRE REFERENCE CHART

Wire Description	Connector Name	Connector Color	Connector Type	Position	Wire Color	Polarity	Wire Location
CanH	A	~	16 pin	06	Blue	(DATA)	OBDII connector, under driver side dash
CanL	A	~	16 pin	14	White	(DATA)	OBDII connector, under driver side dash
SWI 1	B	~	28 pin	21	Black	(DATA)	Behind radio
SWI 2	B	~	28 pin	22	Yellow	(DATA)	Behind radio
SWI 3	B	~	28 pin	24	Blue	(DATA)	Behind radio
SWI Feed	B	~	28 pin	23	Pink	(-)	Behind radio



INSTALL GUIDE TOYOTA COROLLA 2009-2011

RETAINS STEERING WHEEL CONTROLS AND ADDS GAUGES



PRODUCTS REQUIRED

iDatalink Maestro RR Radio Replacement Interface
iDatalink Compatible Radio

OPTIONAL ACCESSORIES

None

PROGRAMMED FIRMWARE

ADS-RR(SI)-TOY01-DS

NOTICE: Automotive Data Solutions Inc. (ADS) recommends having this installation performed by a certified technician. Logos and trademarks used here in are the properties of their respective owners.

WELCOME

Congratulations on the purchase of your iDatalink Maestro RR Radio replacement solution. You are now a few simple steps away from enjoying your new car radio with enhanced features.

Before starting your installation, please ensure that your iDatalink Maestro module is programmed with the correct firmware for your vehicle and that you carefully review the install guide.

Please note that Maestro RR will only retain functionalities that were originally available in the vehicle.

NEED HELP?

 **1 866 427-2999**

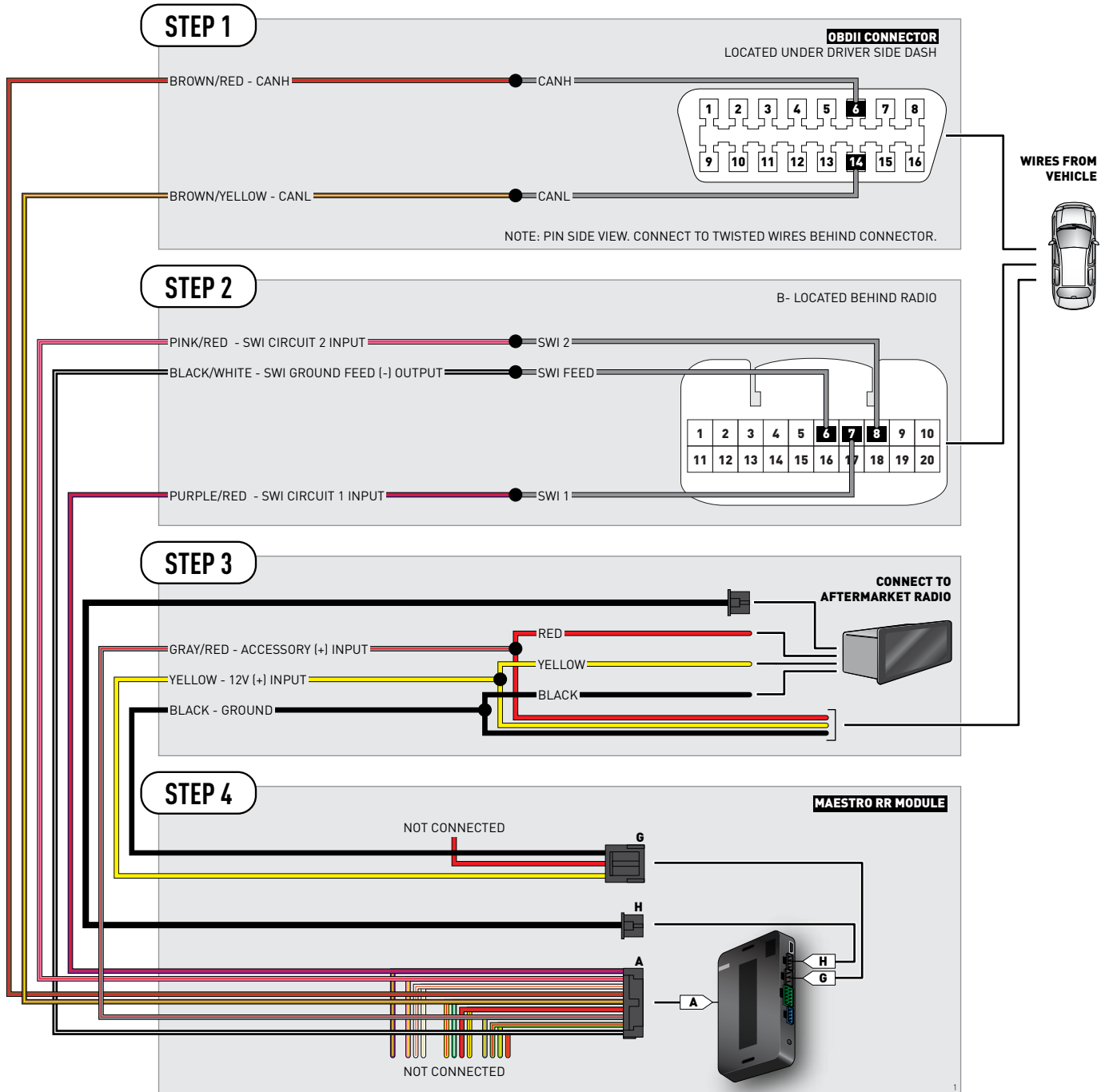
 support@idatalink.com

 maestro.idatalink.com/support
www.12voltdata.com/forum

TABLE OF CONTENTS

Wiring Diagram	3
Vehicle Wire Reference Chart	4

WIRING DIAGRAM



VEHICLE WIRE REFERENCE CHART

Wire Description	Connector Name	Connector Color	Connector Type	Position	Wire Color	Polarity	Wire Location
CanH	A	~	16 pin	06	Green	(DATA)	OBDII connector, under driver side dash
CanL	A	~	16 pin	14	White	(DATA)	OBDII connector, under driver side dash
SWI 1	B	~	20 pin	07	Orange	(DATA)	Behind radio
SWI 2	B	~	20 pin	08	Pink	(DATA)	Behind radio
SWI Feed	B	~	20 pin	06	Blue	(-)	Behind radio



INSTALL GUIDE TOYOTA COROLLA 2012-2013

RETAINS STEERING WHEEL CONTROLS AND ADDS GAUGES



PRODUCTS REQUIRED

iDatalink Maestro RR Radio Replacement Interface
iDatalink Compatible Radio

OPTIONAL ACCESSORIES

None

PROGRAMMED FIRMWARE

ADS-RR(SI)-TOY01-DS

NOTICE: Automotive Data Solutions Inc. (ADS) recommends having this installation performed by a certified technician. Logos and trademarks used here in are the properties of their respective owners.

WELCOME

Congratulations on the purchase of your iDatalink Maestro RR Radio replacement solution. You are now a few simple steps away from enjoying your new car radio with enhanced features.

Before starting your installation, please ensure that your iDatalink Maestro module is programmed with the correct firmware for your vehicle and that you carefully review the install guide.

Please note that Maestro RR will only retain functionalities that were originally available in the vehicle.

NEED HELP?

 **1 866 427-2999**

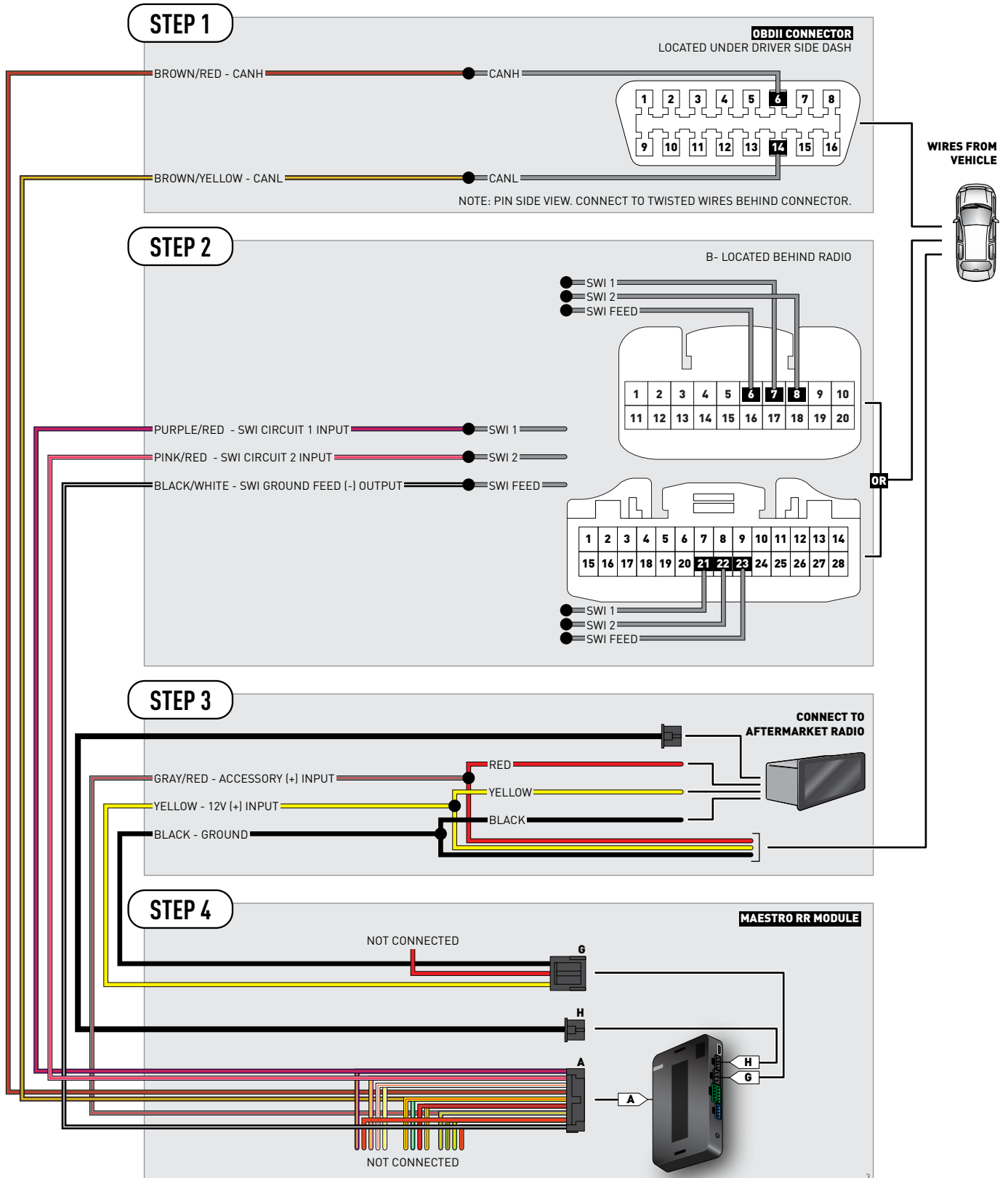
 support@idatalink.com

 maestro.idatalink.com/support
www.12voltdata.com/forum

TABLE OF CONTENTS

Wiring Diagram	3
Vehicle Wire Reference Chart	4

WIRING DIAGRAM



VEHICLE WIRE REFERENCE CHART

Wire Description	Connector Name	Connector Color	Connector Type	Position	Wire Color	Polarity	Wire Location
CanH	A	~	16 pin	06	Green	[DATA]	OBDII connector, under driver side dash
CanL	A	~	16 pin	14	White	[DATA]	OBDII connector, under driver side dash
SWI 1	B	~	20 or 28 pin	07 or 21	Orange	[DATA]	Behind radio
SWI 2	B	~	20 or 28 pin	08 or 22	Pink	[DATA]	Behind radio
SWI Feed	B	~	20 or 28 pin	06 or 23	Blue	(-)	Behind radio



INSTALL GUIDE TOYOTA COROLLA 2014-2015

RETAINS STEERING WHEEL CONTROLS AND ADDS GAUGES



PRODUCTS REQUIRED

iDatalink Maestro RR Radio Replacement Interface
iDatalink Compatible Radio

OPTIONAL ACCESSORIES

None

PROGRAMMED FIRMWARE

ADS-RR(SI)-TOY01-DS

NOTICE: Automotive Data Solutions Inc. (ADS) recommends having this installation performed by a certified technician. Logos and trademarks used here in are the properties of their respective owners.

WELCOME

Congratulations on the purchase of your iDatalink Maestro RR Radio replacement solution. You are now a few simple steps away from enjoying your new car radio with enhanced features.

Before starting your installation, please ensure that your iDatalink Maestro module is programmed with the correct firmware for your vehicle and that you carefully review the install guide.

Please note that Maestro RR will only retain functionalities that were originally available in the vehicle.

NEED HELP?

 **1 866 427-2999**

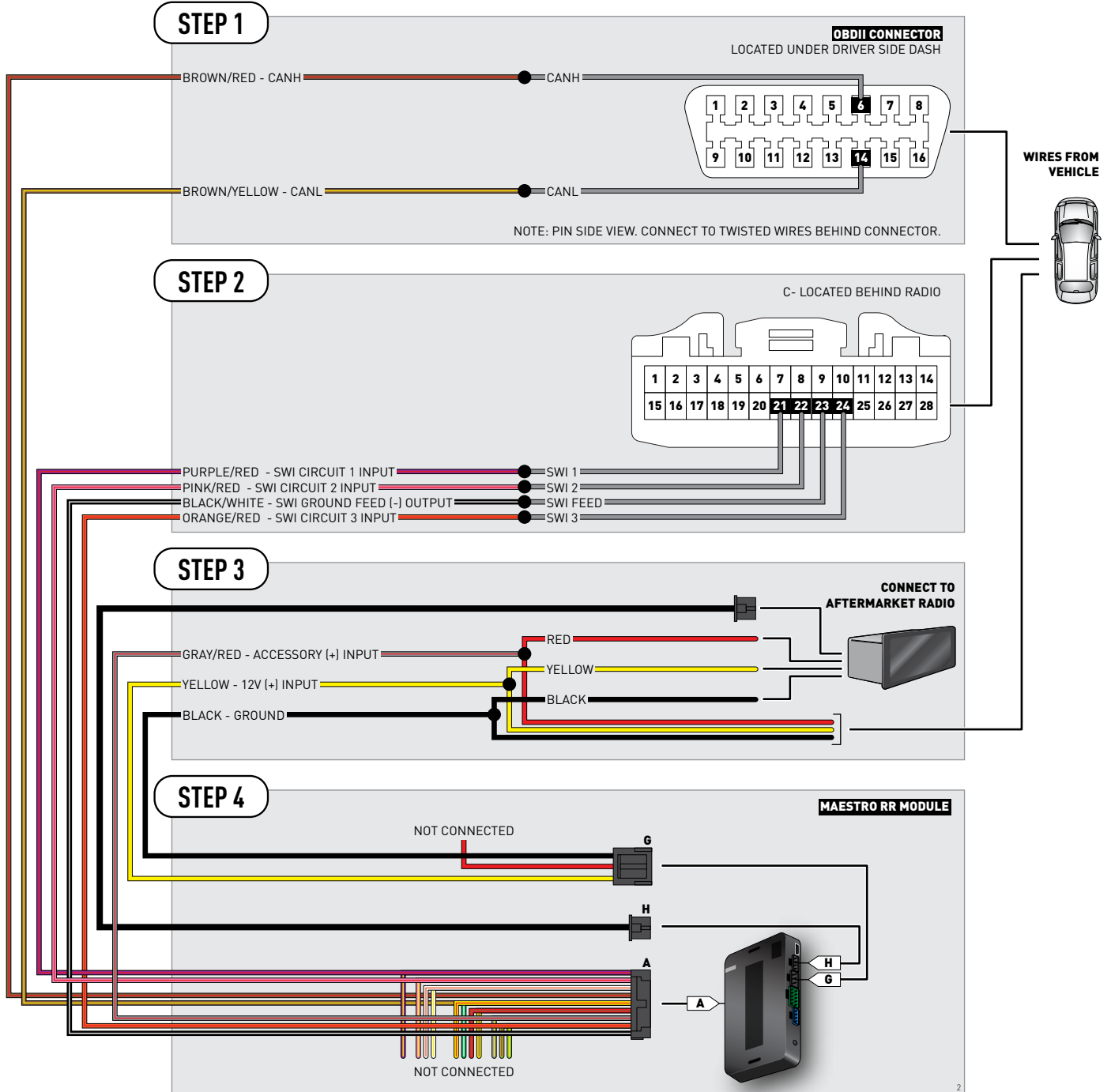
 support@idatalink.com

 maestro.idatalink.com/support
www.12voltdata.com/forum

TABLE OF CONTENTS

Wiring Diagram	3
Vehicle Wire Reference Chart	4

WIRING DIAGRAM



VEHICLE WIRE REFERENCE CHART

Wire Description	Connector Name	Connector Color	Connector Type	Position	Wire Color	Polarity	Wire Location
CanH	A	~	16 pin	06	Red	(DATA)	OBDII connector, under driver side dash
CanL	A	~	16 pin	14	White	(DATA)	OBDII connector, under driver side dash
SWI 1	B	~	28 pin	21	LtBlue	(DATA)	Behind radio
SWI 2	B	~	28 pin	22	Red	(DATA)	Behind radio
SWI 3	B	~	28 pin	24	DkBlue	(DATA)	Behind radio
SWI Feed	B	~	28 pin	23	Black	(-)	Behind radio



INSTALL GUIDE TOYOTA FJ CRUISER BASE 2007-2011

RETAINS STEERING WHEEL CONTROLS AND ADDS GAUGES



PRODUCTS REQUIRED

iDatalink Maestro RR Radio Replacement Interface
iDatalink Compatible Radio

OPTIONAL ACCESSORIES

None

PROGRAMMED FIRMWARE

ADS-RR(SI)-TOY01-DS

NOTICE: Automotive Data Solutions Inc. (ADS) recommends having this installation performed by a certified technician. Logos and trademarks used here in are the properties of their respective owners.

WELCOME

Congratulations on the purchase of your iDatalink Maestro RR Radio replacement solution. You are now a few simple steps away from enjoying your new car radio with enhanced features.

Before starting your installation, please ensure that your iDatalink Maestro module is programmed with the correct firmware for your vehicle and that you carefully review the install guide.

Please note that Maestro RR will only retain functionalities that were originally available in the vehicle.

NEED HELP?

 **1 866 427-2999**

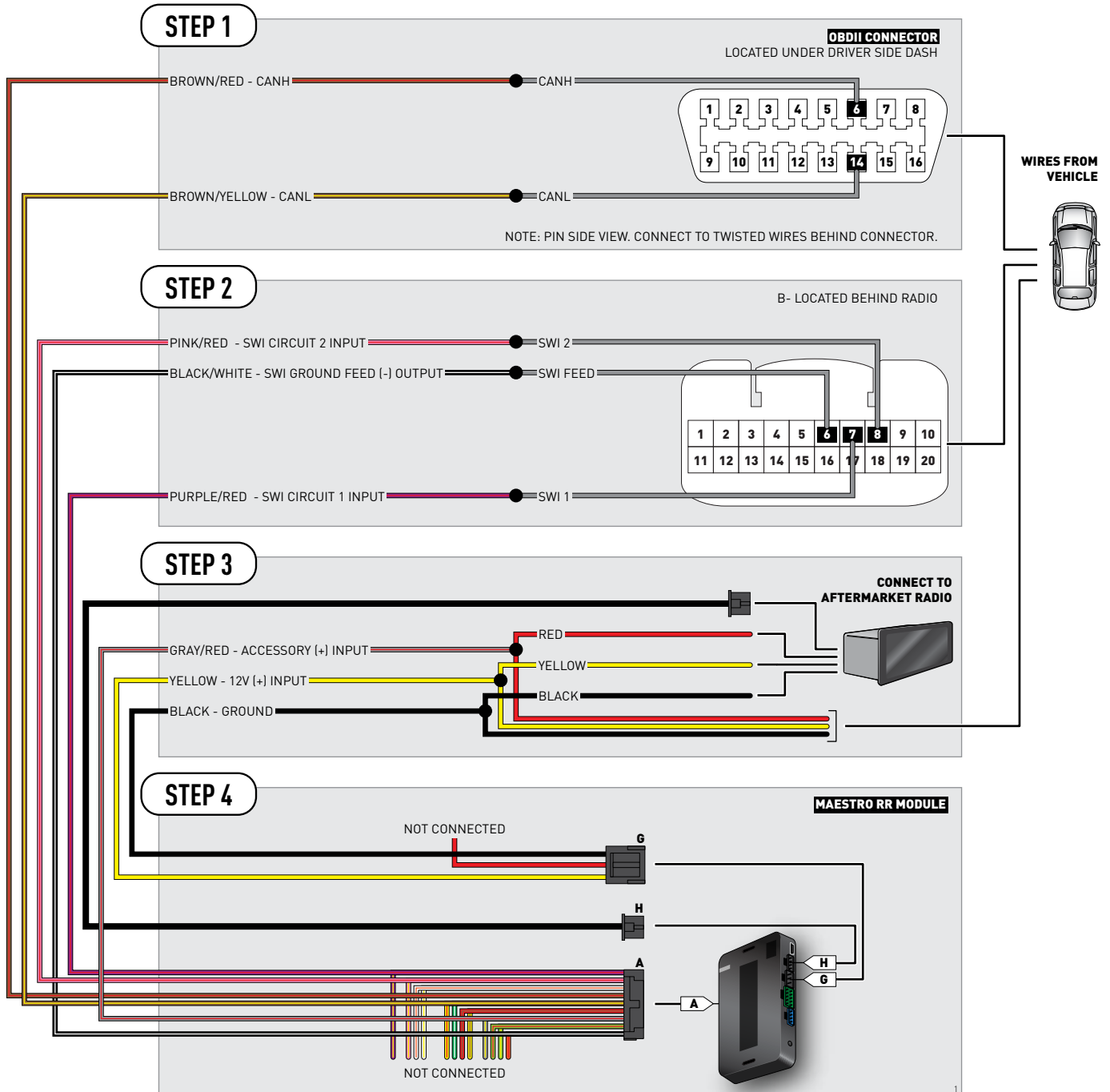
 **support@idatalink.com**

 **maestro.idatalink.com/support
www.12voltdata.com/forum**

TABLE OF CONTENTS

Wiring Diagram	3
Vehicle Wire Reference Chart	4

WIRING DIAGRAM



VEHICLE WIRE REFERENCE CHART

Wire Description	Connector Name	Connector Color	Connector Type	Position	Wire Color	Polarity	Wire Location
CanH	A	~	16 pin	06	Pink	(DATA)	OBDII connector, under driver side dash
CanL	A	~	16 pin	14	Violet	(DATA)	OBDII connector, under driver side dash
SWI 1	B	~	20 pin	07	Violet/White	(DATA)	Behind radio
SWI 2	B	~	20 pin	08	Yellow/Black	(DATA)	Behind radio
SWI Feed	B	~	20 pin	06	White/Red	(-)	Behind radio



INSTALL GUIDE TOYOTA FJ CRUISER BASE 2012-2014

RETAINS STEERING WHEEL CONTROLS AND ADDS GAUGES



PRODUCTS REQUIRED

iDatalink Maestro RR Radio Replacement Interface
iDatalink Compatible Radio

OPTIONAL ACCESSORIES

None

PROGRAMMED FIRMWARE

ADS-RR(SI)-TOY01-DS

NOTICE: Automotive Data Solutions Inc. (ADS) recommends having this installation performed by a certified technician. Logos and trademarks used here in are the properties of their respective owners.

WELCOME

Congratulations on the purchase of your iDatalink Maestro RR Radio replacement solution. You are now a few simple steps away from enjoying your new car radio with enhanced features.

Before starting your installation, please ensure that your iDatalink Maestro module is programmed with the correct firmware for your vehicle and that you carefully review the install guide.

Please note that Maestro RR will only retain functionalities that were originally available in the vehicle.

NEED HELP?

 **1 866 427-2999**

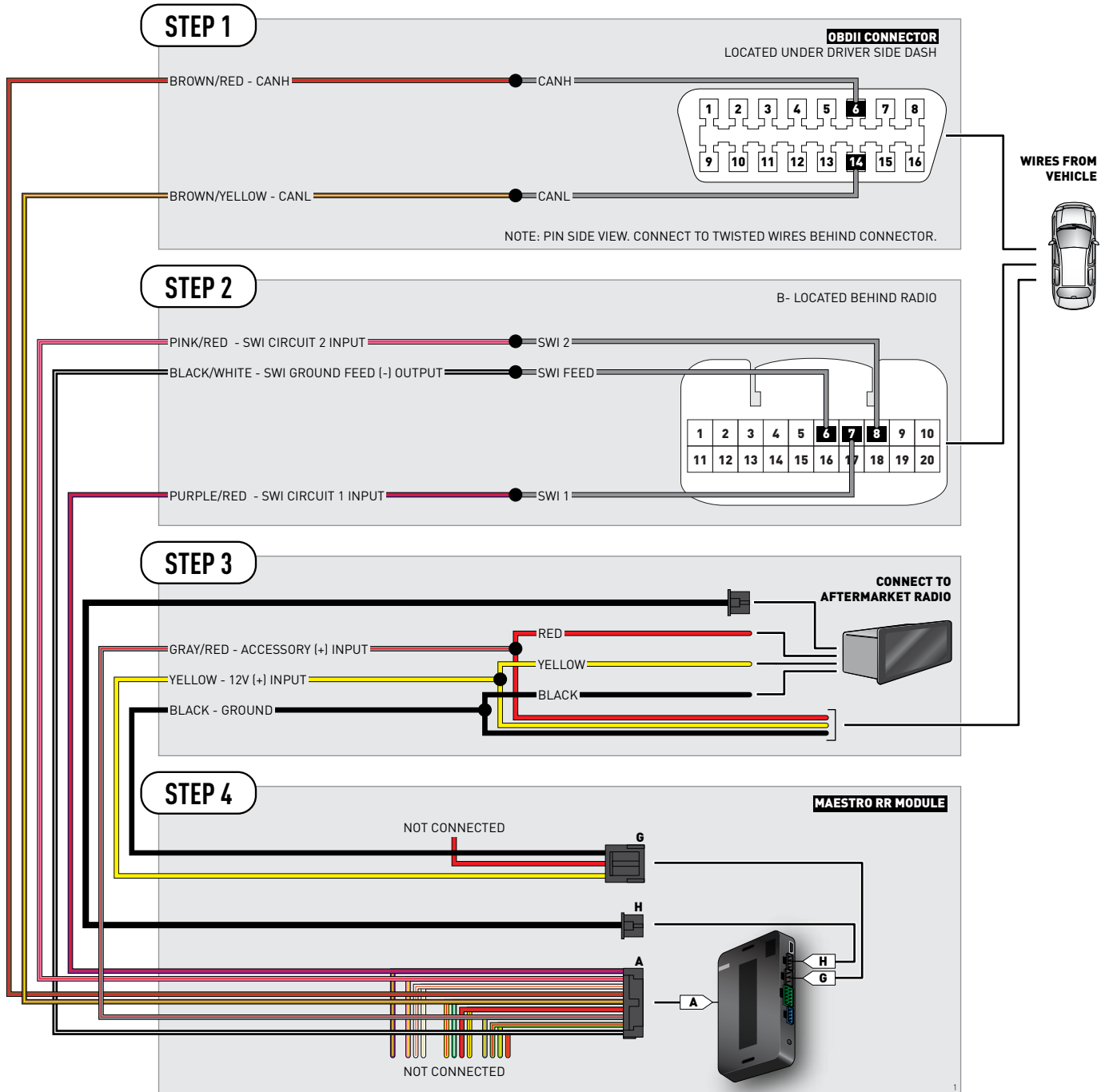
 support@idatalink.com

 maestro.idatalink.com/support
www.12voltdata.com/forum

TABLE OF CONTENTS

Wiring Diagram	3
Vehicle Wire Reference Chart	4

WIRING DIAGRAM



VEHICLE WIRE REFERENCE CHART

Wire Description	Connector Name	Connector Color	Connector Type	Position	Wire Color	Polarity	Wire Location
CanH	A	~	16 pin	06	Pink	(DATA)	OBDII connector, under driver side dash
CanL	A	~	16 pin	14	Violet	(DATA)	OBDII connector, under driver side dash
SWI 1	B	~	20 pin	07	Yellow/White	(DATA)	Behind radio
SWI 2	B	~	20 pin	08	Yellow/Black	(DATA)	Behind radio
SWI Feed	B	~	20 pin	06	White/Red	(-)	Behind radio



INSTALL GUIDE TOYOTA HIGHLANDER 2008-2012

RETAINS STEERING WHEEL CONTROLS AND ADDS GAUGES



PRODUCTS REQUIRED

iDatalink Maestro RR Radio Replacement Interface
iDatalink Compatible Radio

OPTIONAL ACCESSORIES

None

PROGRAMMED FIRMWARE

ADS-RR(SI)-TOY01-DS

NOTICE: Automotive Data Solutions Inc. (ADS) recommends having this installation performed by a certified technician. Logos and trademarks used here in are the properties of their respective owners.

WELCOME

Congratulations on the purchase of your iDatalink Maestro RR Radio replacement solution. You are now a few simple steps away from enjoying your new car radio with enhanced features.

Before starting your installation, please ensure that your iDatalink Maestro module is programmed with the correct firmware for your vehicle and that you carefully review the install guide.

Please note that Maestro RR will only retain functionalities that were originally available in the vehicle.

NEED HELP?

 **1 866 427-2999**

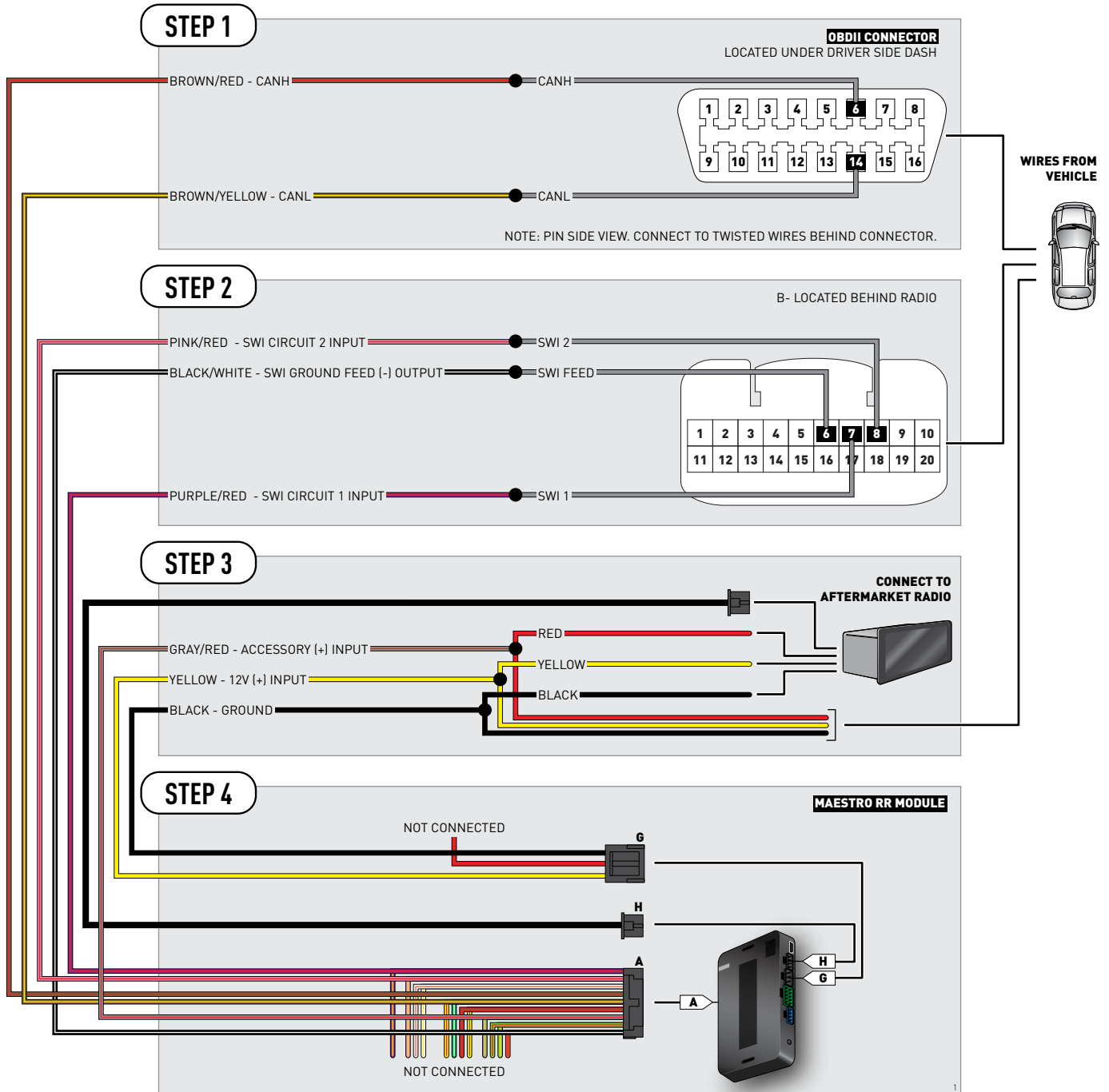
 support@idatalink.com

 maestro.idatalink.com/support
www.12voltdata.com/forum

TABLE OF CONTENTS

Wiring Diagram	3
Vehicle Wire Reference Chart	4

WIRING DIAGRAM



VEHICLE WIRE REFERENCE CHART

Wire Description	Connector Name	Connector Color	Connector Type	Position	Wire Color	Polarity	Wire Location
CanH	A	~	16 pin	06	Blue	(DATA)	OBDII connector, under driver side dash
CanL	A	~	16 pin	14	White	(DATA)	OBDII connector, under driver side dash
SWI 1	B	~	20 pin	07	Orange	(DATA)	Behind radio
SWI 2	B	~	20 pin	08	Violet	(DATA)	Behind radio
SWI Feed	B	~	20 pin	06	Black	(-)	Behind radio



INSTALL GUIDE TOYOTA HIGHLANDER 2013

RETAINS STEERING WHEEL CONTROLS AND ADDS GAUGES



PRODUCTS REQUIRED

iDatalink Maestro RR Radio Replacement Interface
iDatalink Compatible Radio

OPTIONAL ACCESSORIES

None

PROGRAMMED FIRMWARE

ADS-RR(SI)-TOY01-DS

NOTICE: Automotive Data Solutions Inc. (ADS) recommends having this installation performed by a certified technician. Logos and trademarks used here in are the properties of their respective owners.

WELCOME

Congratulations on the purchase of your iDatalink Maestro RR Radio replacement solution. You are now a few simple steps away from enjoying your new car radio with enhanced features.

Before starting your installation, please ensure that your iDatalink Maestro module is programmed with the correct firmware for your vehicle and that you carefully review the install guide.

Please note that Maestro RR will only retain functionalities that were originally available in the vehicle.

NEED HELP?

 **1 866 427-2999**

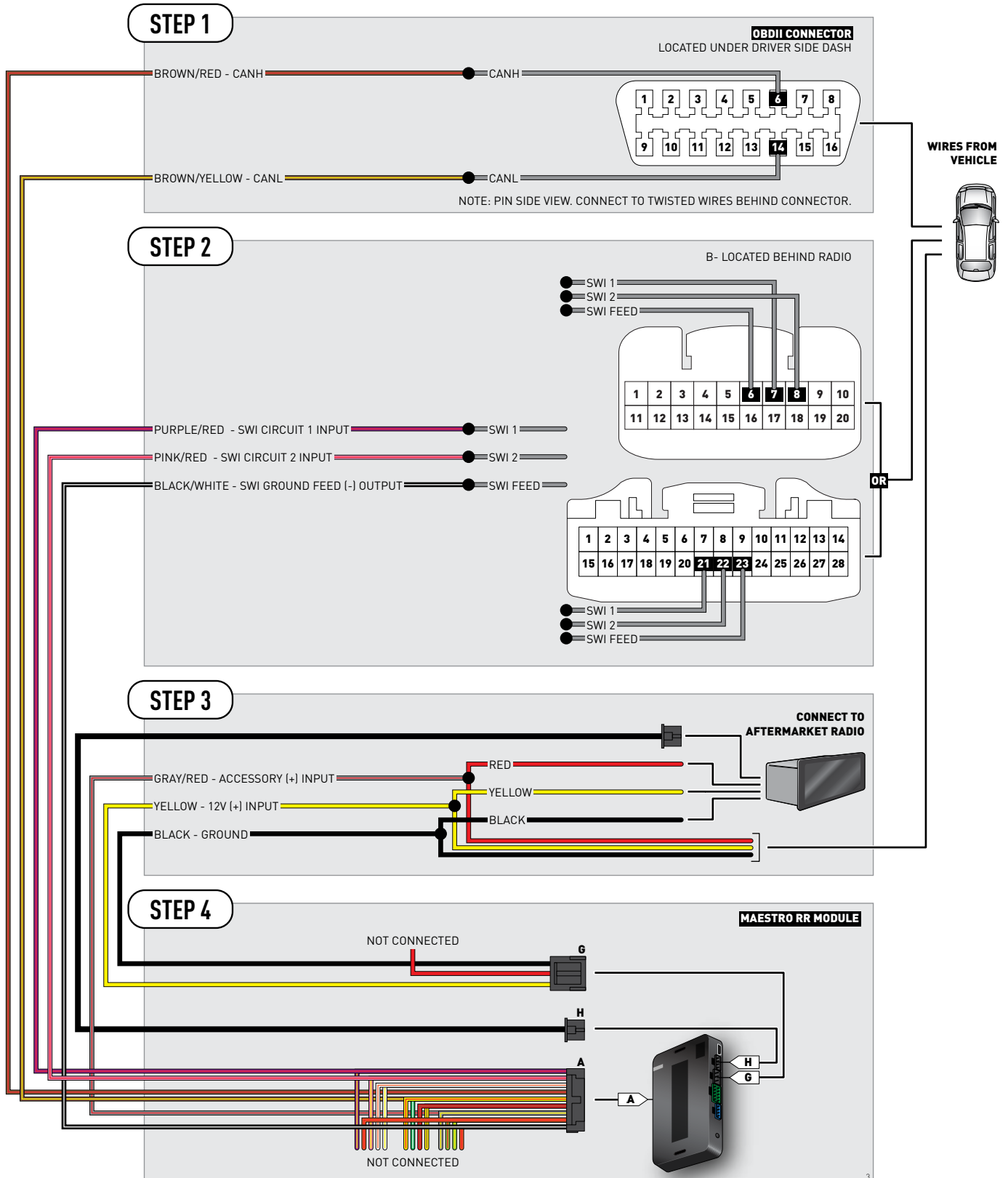
 support@idatalink.com

 maestro.idatalink.com/support
www.12voltdata.com/forum

TABLE OF CONTENTS

Wiring Diagram	3
Vehicle Wire Reference Chart	4

WIRING DIAGRAM



VEHICLE WIRE REFERENCE CHART

Wire Description	Connector Name	Connector Color	Connector Type	Position	Wire Color	Polarity	Wire Location
CanH	A	~	16 pin	06	Blue	[DATA]	OBDII connector, under driver side dash
CanL	A	~	16 pin	14	White	[DATA]	OBDII connector, under driver side dash
SWI 1	B	~	20 or 28 pin	07 or 21	Orange	[DATA]	Behind radio
SWI 2	B	~	20 or 28 pin	08 or 22	Violet	[DATA]	Behind radio
SWI Feed	B	~	20 or 28 pin	06 or 23	Black	(-)	Behind radio



INSTALL GUIDE TOYOTA HIGHLANDER 2014-2015

RETAINS STEERING WHEEL CONTROLS AND ADDS GAUGES



PRODUCTS REQUIRED

iDatalink Maestro RR Radio Replacement Interface
iDatalink Compatible Radio

OPTIONAL ACCESSORIES

None

PROGRAMMED FIRMWARE

ADS-RR(SI)-TOY01-DS

NOTICE: Automotive Data Solutions Inc. (ADS) recommends having this installation performed by a certified technician. Logos and trademarks used here in are the properties of their respective owners.

WELCOME

Congratulations on the purchase of your iDatalink Maestro RR Radio replacement solution. You are now a few simple steps away from enjoying your new car radio with enhanced features.

Before starting your installation, please ensure that your iDatalink Maestro module is programmed with the correct firmware for your vehicle and that you carefully review the install guide.

Please note that Maestro RR will only retain functionalities that were originally available in the vehicle.

NEED HELP?

 **1 866 427-2999**

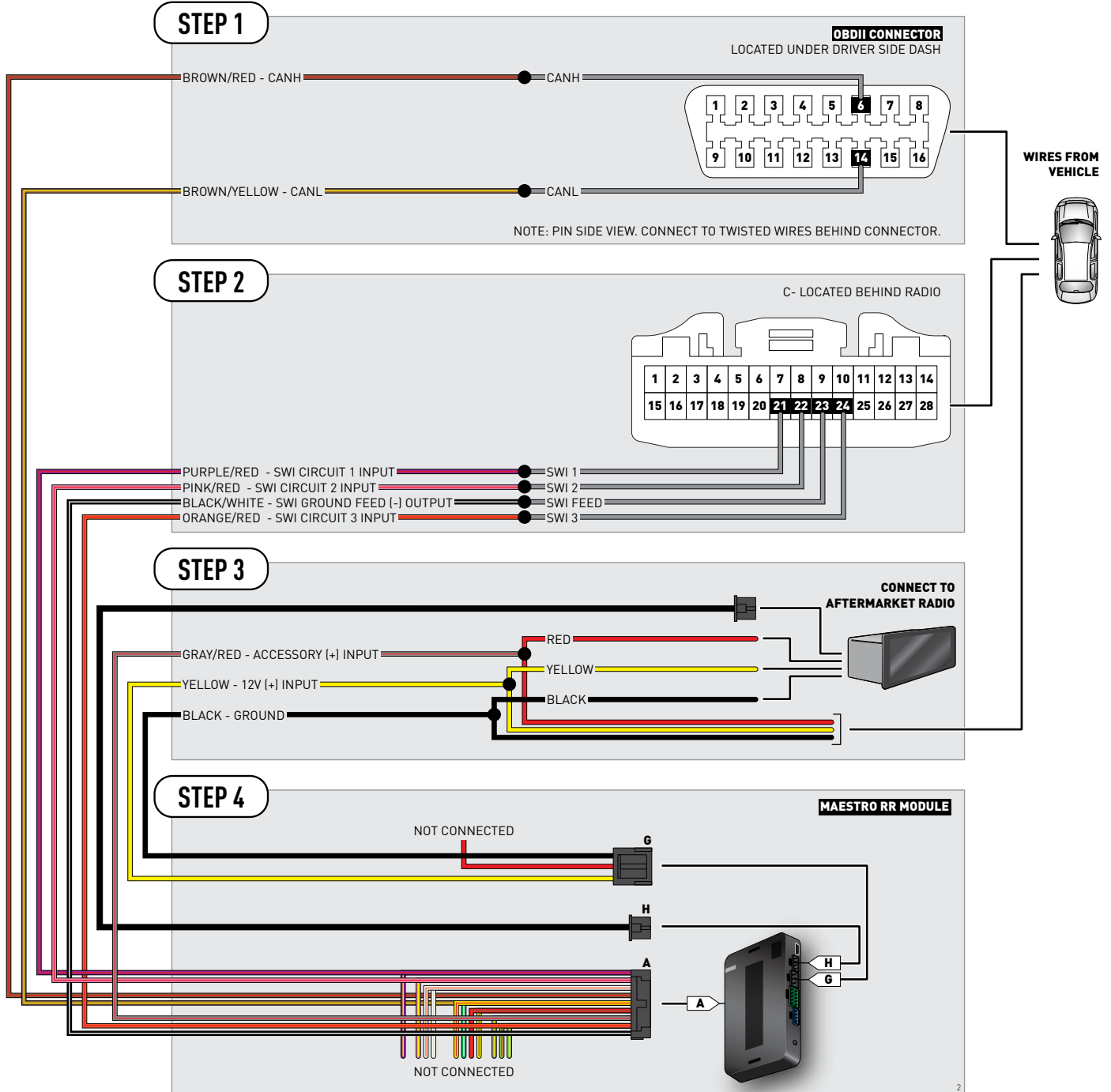
 support@idatalink.com

 maestro.idatalink.com/support
www.12voltdata.com/forum

TABLE OF CONTENTS

Wiring Diagram	3
Vehicle Wire Reference Chart	4

WIRING DIAGRAM



VEHICLE WIRE REFERENCE CHART

Wire Description	Connector Name	Connector Color	Connector Type	Position	Wire Color	Polarity	Wire Location
CanH	A	~	16 pin	06	Violet	(DATA)	OBDII connector, under driver side dash
CanL	A	~	16 pin	14	White	(DATA)	OBDII connector, under driver side dash
SWI 1	B	~	28 pin	21	Pink	(DATA)	Behind radio
SWI 2	B	~	28 pin	22	Blue	(DATA)	Behind radio
SWI 3	B	~	28 pin	24	Green	(DATA)	Behind radio
SWI Feed	B	~	28 pin	23	Red	(-)	Behind radio



INSTALL GUIDE TOYOTA LANDCRUISER BASE 2008-2014

RETAINS STEERING WHEEL CONTROLS AND ADDS GAUGES



PRODUCTS REQUIRED

iDatalink Maestro RR Radio Replacement Interface
iDatalink Compatible Radio

OPTIONAL ACCESSORIES

None

PROGRAMMED FIRMWARE

ADS-RR(SI)-TOY01-DS

NOTICE: Automotive Data Solutions Inc. (ADS) recommends having this installation performed by a certified technician. Logos and trademarks used here in are the properties of their respective owners.

WELCOME

Congratulations on the purchase of your iDatalink Maestro RR Radio replacement solution. You are now a few simple steps away from enjoying your new car radio with enhanced features.

Before starting your installation, please ensure that your iDatalink Maestro module is programmed with the correct firmware for your vehicle and that you carefully review the install guide.

Please note that Maestro RR will only retain functionalities that were originally available in the vehicle.

NEED HELP?

 **1 866 427-2999**

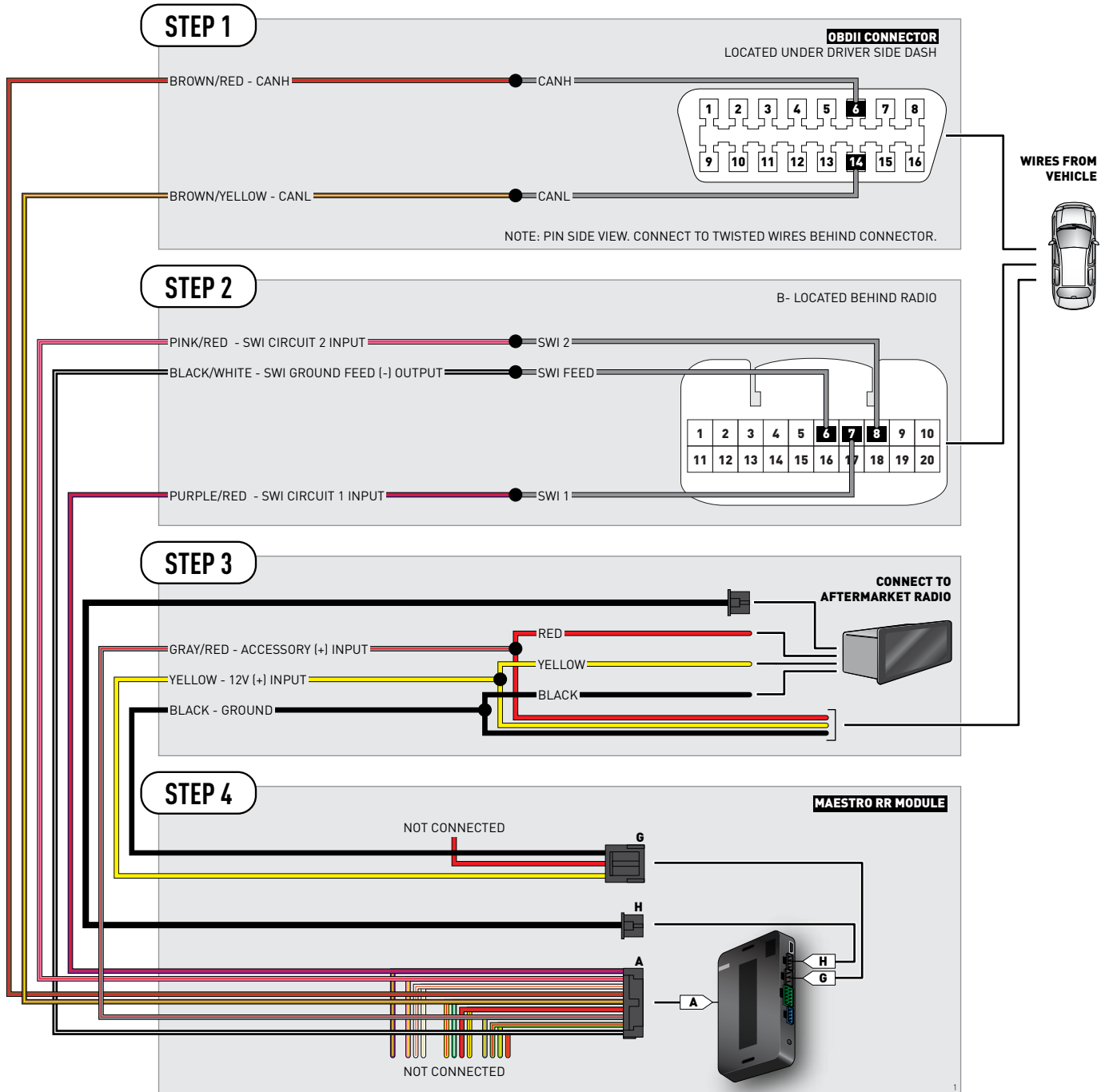
 support@idatalink.com

 maestro.idatalink.com/support
www.12voltdata.com/forum

TABLE OF CONTENTS

Wiring Diagram	3
Vehicle Wire Reference Chart	4

WIRING DIAGRAM



VEHICLE WIRE REFERENCE CHART

Wire Description	Connector Name	Connector Color	Connector Type	Position	Wire Color	Polarity	Wire Location
CanH	A	~	16 pin	06	Green	[DATA]	OBDII connector, under driver side dash
CanL	A	~	16 pin	14	Black	[DATA]	OBDII connector, under driver side dash
SWI 1	B	~	20 pin	07	Blue	[DATA]	Behind radio
SWI 2	B	~	20 pin	08	Pink	[DATA]	Behind radio
SWI Feed	B	~	20 pin	06	White	(-)	Behind radio



INSTALL GUIDE TOYOTA MATRIX 2009-2012

RETAINS STEERING WHEEL CONTROLS AND ADDS GAUGES



PRODUCTS REQUIRED

iDatalink Maestro RR Radio Replacement Interface
iDatalink Compatible Radio

OPTIONAL ACCESSORIES

None

PROGRAMMED FIRMWARE

ADS-RR(SI)-TOY01-DS

NOTICE: Automotive Data Solutions Inc. (ADS) recommends having this installation performed by a certified technician. Logos and trademarks used here in are the properties of their respective owners.

WELCOME

Congratulations on the purchase of your iDatalink Maestro RR Radio replacement solution. You are now a few simple steps away from enjoying your new car radio with enhanced features.

Before starting your installation, please ensure that your iDatalink Maestro module is programmed with the correct firmware for your vehicle and that you carefully review the install guide.

Please note that Maestro RR will only retain functionalities that were originally available in the vehicle.

NEED HELP?

 **1 866 427-2999**

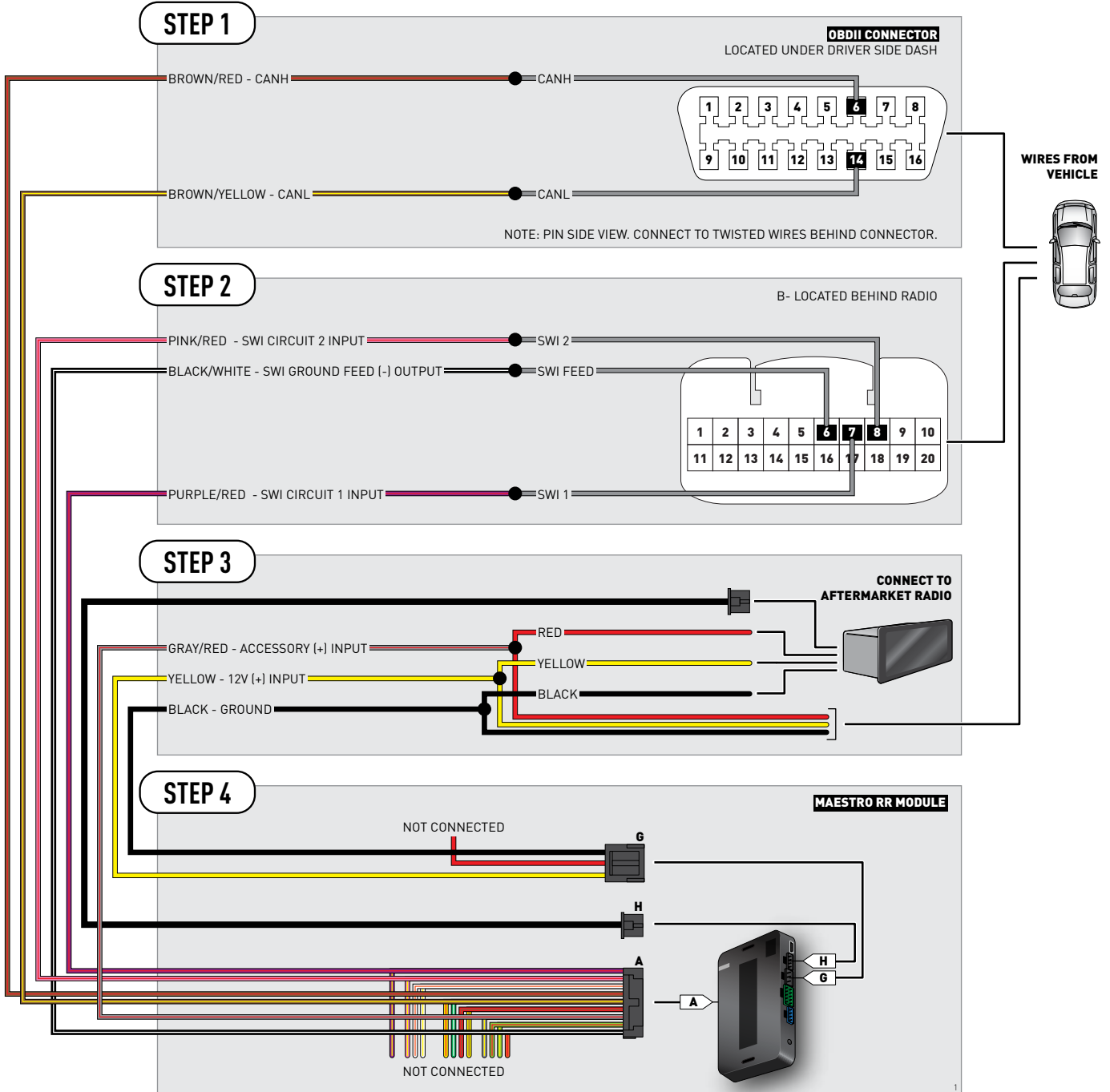
 support@idatalink.com

 maestro.idatalink.com/support
www.12voltdata.com/forum

TABLE OF CONTENTS

Wiring Diagram	3
Vehicle Wire Reference Chart	4

WIRING DIAGRAM



VEHICLE WIRE REFERENCE CHART

Wire Description	Connector Name	Connector Color	Connector Type	Position	Wire Color	Polarity	Wire Location
CanH	A	~	16 pin	06	Green	[DATA]	OBDII connector, under driver side dash
CanL	A	~	16 pin	14	White	[DATA]	OBDII connector, under driver side dash
SWI 1	B	~	20 pin	07	Orange	[DATA]	Behind radio
SWI 2	B	~	20 pin	08	Pink	[DATA]	Behind radio
SWI Feed	B	~	20 pin	06	Blue	(-)	Behind radio



INSTALL GUIDE TOYOTA MATRIX 2013

RETAINS STEERING WHEEL CONTROLS AND ADDS GAUGES



PRODUCTS REQUIRED

iDatalink Maestro RR Radio Replacement Interface
iDatalink Compatible Radio

OPTIONAL ACCESSORIES

None

PROGRAMMED FIRMWARE

ADS-RR(SI)-TOY01-DS

NOTICE: Automotive Data Solutions Inc. (ADS) recommends having this installation performed by a certified technician. Logos and trademarks used here in are the properties of their respective owners.

WELCOME

Congratulations on the purchase of your iDatalink Maestro RR Radio replacement solution. You are now a few simple steps away from enjoying your new car radio with enhanced features.

Before starting your installation, please ensure that your iDatalink Maestro module is programmed with the correct firmware for your vehicle and that you carefully review the install guide.

Please note that Maestro RR will only retain functionalities that were originally available in the vehicle.

NEED HELP?

 **1 866 427-2999**

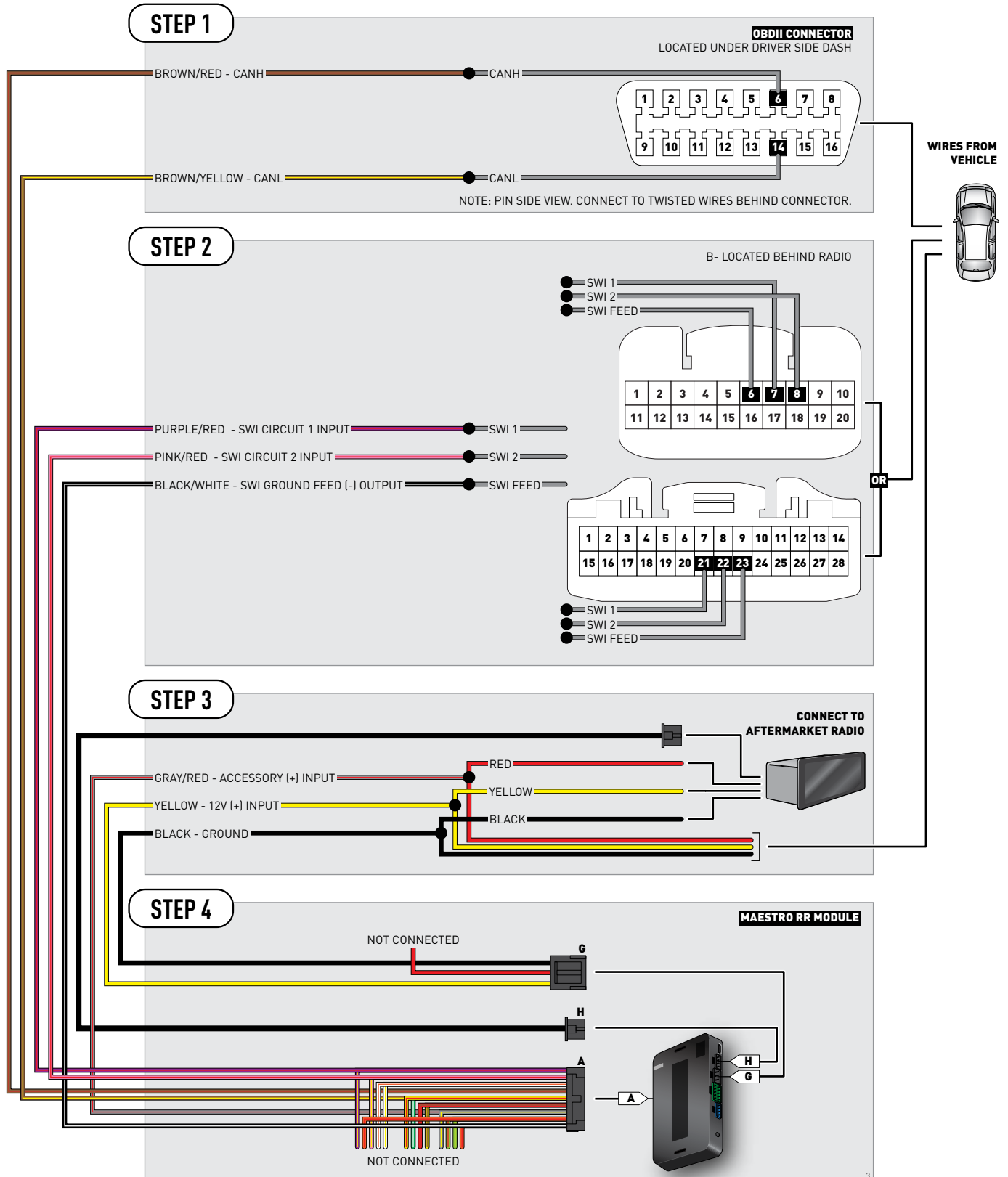
 support@idatalink.com

 maestro.idatalink.com/support
www.12voltdata.com/forum

TABLE OF CONTENTS

Wiring Diagram	3
Vehicle Wire Reference Chart	4

WIRING DIAGRAM



VEHICLE WIRE REFERENCE CHART

Wire Description	Connector Name	Connector Color	Connector Type	Position	Wire Color	Polarity	Wire Location
CanH	A	~	16 pin	06	Green	(DATA)	OBDII connector, under driver side dash
CanL	A	~	16 pin	14	White	(DATA)	OBDII connector, under driver side dash
SWI 1	B	~	20 or 28 pin	07 or 21	Orange	(DATA)	Behind radio
SWI 2	B	~	20 or 28 pin	08 or 22	Pink	(DATA)	Behind radio
SWI Feed	B	~	20 or 28 pin	06 or 23	Blue	(-)	Behind radio



INSTALL GUIDE TOYOTA PRIUS 2010-2011

RETAINS STEERING WHEEL CONTROLS AND ADDS GAUGES



PRODUCTS REQUIRED

iDatalink Maestro RR Radio Replacement Interface
iDatalink Compatible Radio

OPTIONAL ACCESSORIES

None

PROGRAMMED FIRMWARE

ADS-RR(SI)-TOY01-DS

NOTICE: Automotive Data Solutions Inc. (ADS) recommends having this installation performed by a certified technician. Logos and trademarks used here in are the properties of their respective owners.

WELCOME

Congratulations on the purchase of your iDatalink Maestro RR Radio replacement solution. You are now a few simple steps away from enjoying your new car radio with enhanced features.

Before starting your installation, please ensure that your iDatalink Maestro module is programmed with the correct firmware for your vehicle and that you carefully review the install guide.

Please note that Maestro RR will only retain functionalities that were originally available in the vehicle.

NEED HELP?

 **1 866 427-2999**

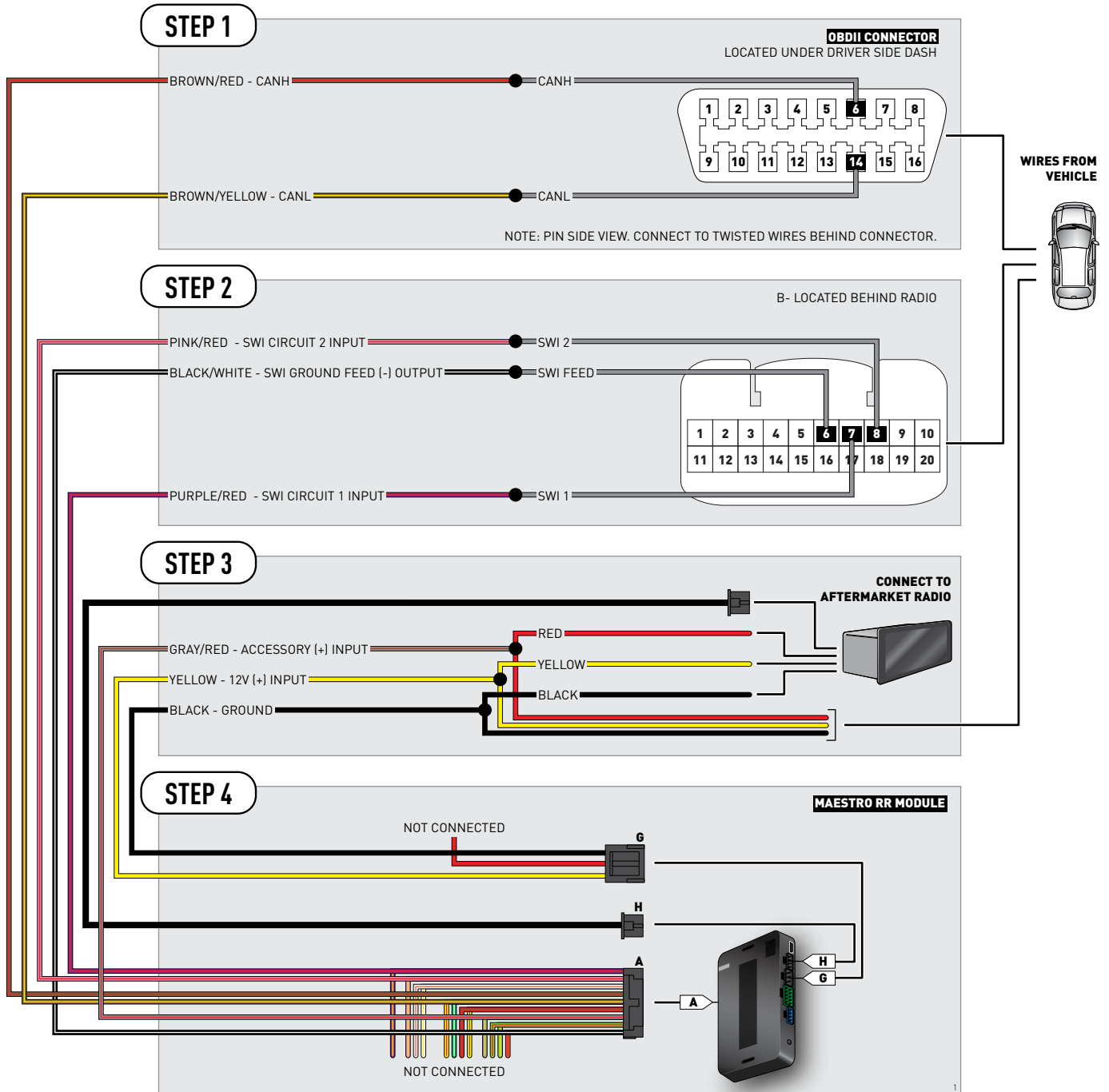
 support@idatalink.com

 maestro.idatalink.com/support
www.12voltdata.com/forum

TABLE OF CONTENTS

Wiring Diagram	3
Vehicle Wire Reference Chart	4

WIRING DIAGRAM



VEHICLE WIRE REFERENCE CHART

Wire Description	Connector Name	Connector Color	Connector Type	Position	Wire Color	Polarity	Wire Location
CanH	A	~	16 pin	06	White	(DATA)	OBDII connector, under driver side dash
CanL	A	~	16 pin	14	Yellow	(DATA)	OBDII connector, under driver side dash
SWI 1	B	~	20 pin	07	Red	(DATA)	Behind radio
SWI 2	B	~	20 pin	08	Green	(DATA)	Behind radio
SWI Feed	B	~	20 pin	06	Pink	(-)	Behind radio



INSTALL GUIDE TOYOTA PRIUS 2012-2015

RETAINS STEERING WHEEL CONTROLS AND ADDS GAUGES



PRODUCTS REQUIRED

iDatalink Maestro RR Radio Replacement Interface
iDatalink Compatible Radio

OPTIONAL ACCESSORIES

None

PROGRAMMED FIRMWARE

ADS-RR(SI)-TOY01-DS

NOTICE: Automotive Data Solutions Inc. (ADS) recommends having this installation performed by a certified technician. Logos and trademarks used here in are the properties of their respective owners.

WELCOME

Congratulations on the purchase of your iDatalink Maestro RR Radio replacement solution. You are now a few simple steps away from enjoying your new car radio with enhanced features.

Before starting your installation, please ensure that your iDatalink Maestro module is programmed with the correct firmware for your vehicle and that you carefully review the install guide.

Please note that Maestro RR will only retain functionalities that were originally available in the vehicle.

NEED HELP?

 **1 866 427-2999**

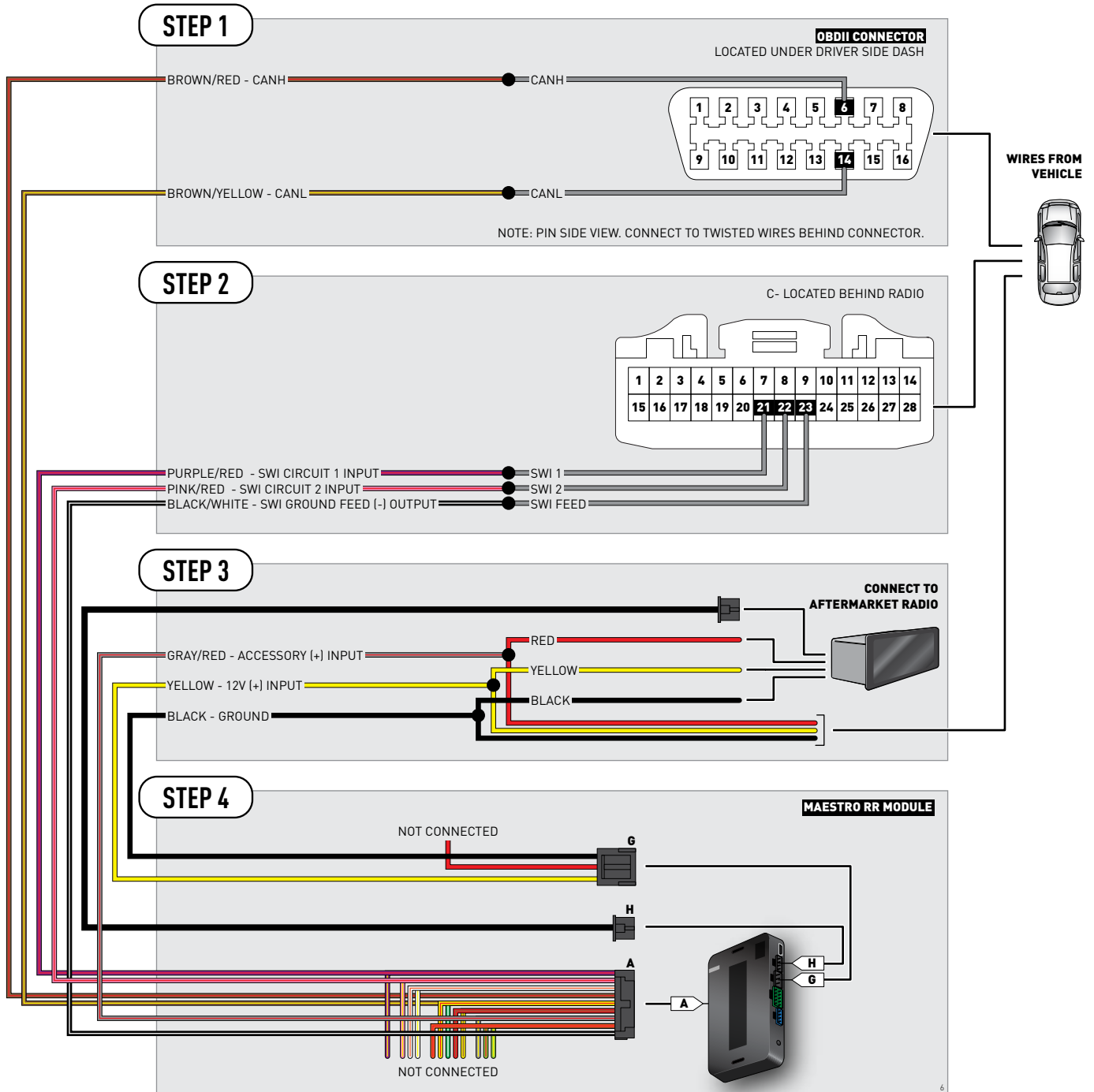
 support@idatalink.com

 maestro.idatalink.com/support
www.12voltdata.com/forum

TABLE OF CONTENTS

Wiring Diagram	3
Vehicle Wire Reference Chart	4

WIRING DIAGRAM



VEHICLE WIRE REFERENCE CHART

Wire Description	Connector Name	Connector Color	Connector Type	Position	Wire Color	Polarity	Wire Location
CanH	A	~	16 pin	06	White	(DATA)	OBDII connector, under driver side dash
CanL	A	~	16 pin	14	Yellow	(DATA)	OBDII connector, under driver side dash
SWI 1	B	~	28 pin	21	Red	(DATA)	Behind radio
SWI 2	B	~	28 pin	22	Green	(DATA)	Behind radio
SWI Feed	B	~	28 pin	23	Pink	(-)	Behind radio



INSTALL GUIDE TOYOTA PRIUS C 2012-2014

RETAINS STEERING WHEEL CONTROLS AND ADDS GAUGES



PRODUCTS REQUIRED

iDatalink Maestro RR Radio Replacement Interface
iDatalink Compatible Radio

OPTIONAL ACCESSORIES

None

PROGRAMMED FIRMWARE

ADS-RR(SI)-TOY01-DS

NOTICE: Automotive Data Solutions Inc. (ADS) recommends having this installation performed by a certified technician. Logos and trademarks used here in are the properties of their respective owners.

WELCOME

Congratulations on the purchase of your iDatalink Maestro RR Radio replacement solution. You are now a few simple steps away from enjoying your new car radio with enhanced features.

Before starting your installation, please ensure that your iDatalink Maestro module is programmed with the correct firmware for your vehicle and that you carefully review the install guide.

Please note that Maestro RR will only retain functionalities that were originally available in the vehicle.

NEED HELP?

 **1 866 427-2999**

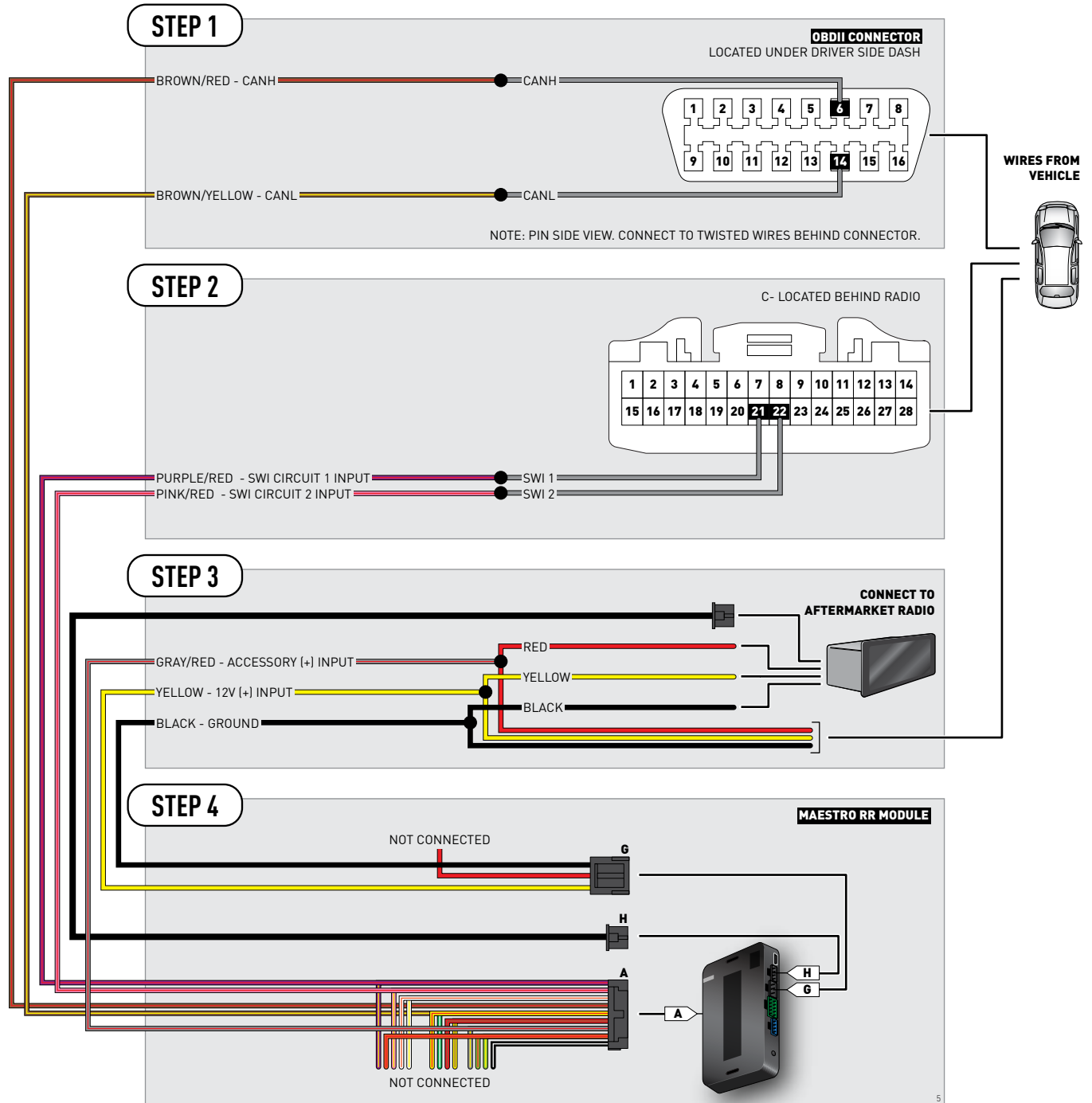
 support@idatalink.com

 maestro.idatalink.com/support
www.12voltdata.com/forum

TABLE OF CONTENTS

Wiring Diagram	3
Vehicle Wire Reference Chart	4

WIRING DIAGRAM



VEHICLE WIRE REFERENCE CHART

Wire Description	Connector Name	Connector Color	Connector Type	Position	Wire Color	Polarity	Wire Location
CanH	A	~	16 pin	06	Gray	(DATA)	OBDII connector, under driver side dash
CanL	A	~	16 pin	14	White	(DATA)	OBDII connector, under driver side dash
SWI 1	B	~	28 pin	21	Blue	(DATA)	Behind radio
SWI 2	B	~	28 pin	22	Pink	(DATA)	Behind radio



INSTALL GUIDE TOYOTA PRIUS V 2012-2014

RETAINS STEERING WHEEL CONTROLS AND ADDS GAUGES



PRODUCTS REQUIRED

iDatalink Maestro RR Radio Replacement Interface
iDatalink Compatible Radio

OPTIONAL ACCESSORIES

None

PROGRAMMED FIRMWARE

ADS-RR(SI)-TOY01-DS

NOTICE: Automotive Data Solutions Inc. (ADS) recommends having this installation performed by a certified technician. Logos and trademarks used here in are the properties of their respective owners.

WELCOME

Congratulations on the purchase of your iDatalink Maestro RR Radio replacement solution. You are now a few simple steps away from enjoying your new car radio with enhanced features.

Before starting your installation, please ensure that your iDatalink Maestro module is programmed with the correct firmware for your vehicle and that you carefully review the install guide.

Please note that Maestro RR will only retain functionalities that were originally available in the vehicle.

NEED HELP?

 **1 866 427-2999**

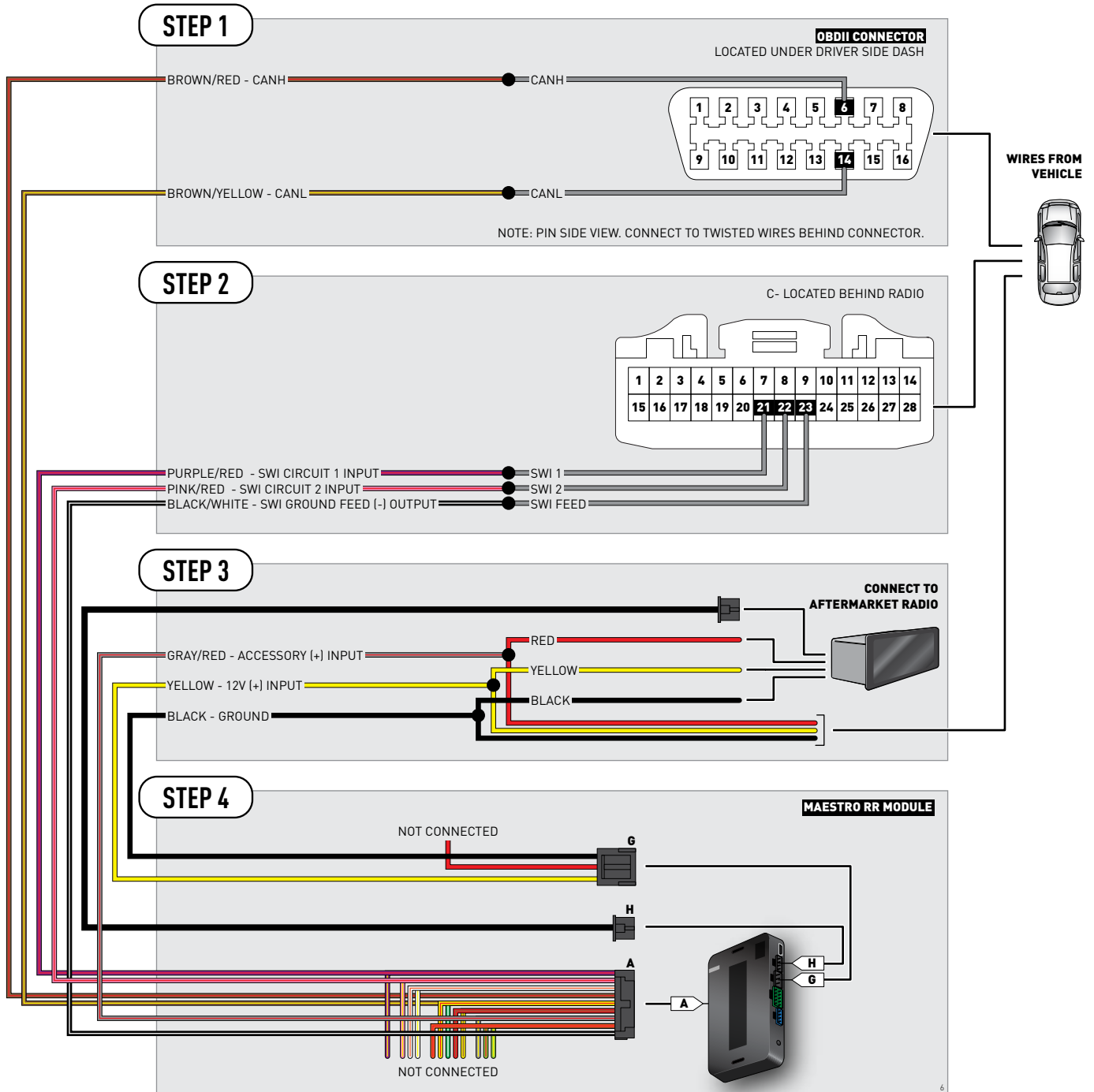
 support@idatalink.com

 maestro.idatalink.com/support
www.12voltdata.com/forum

TABLE OF CONTENTS

Wiring Diagram	3
Vehicle Wire Reference Chart	4

WIRING DIAGRAM



VEHICLE WIRE REFERENCE CHART

Wire Description	Connector Name	Connector Color	Connector Type	Position	Wire Color	Polarity	Wire Location
CanH	A	~	16 pin	06	Black	(DATA)	OBDII connector, under driver side dash
CanL	A	~	16 pin	14	White	(DATA)	OBDII connector, under driver side dash
SWI 1	B	~	28 pin	21	Violet	(DATA)	Behind radio
SWI 2	B	~	28 pin	22	LtBlue	(DATA)	Behind radio
SWI Feed	B	~	28 pin	23	Pink	(-)	Behind radio



INSTALL GUIDE TOYOTA RAV 4 2006-2011

RETAINS STEERING WHEEL CONTROLS AND ADDS GAUGES



PRODUCTS REQUIRED

iDatalink Maestro RR Radio Replacement Interface
iDatalink Compatible Radio

OPTIONAL ACCESSORIES

None

PROGRAMMED FIRMWARE

ADS-RR(SI)-TOY01-DS

NOTICE: Automotive Data Solutions Inc. (ADS) recommends having this installation performed by a certified technician. Logos and trademarks used here in are the properties of their respective owners.

WELCOME

Congratulations on the purchase of your iDatalink Maestro RR Radio replacement solution. You are now a few simple steps away from enjoying your new car radio with enhanced features.

Before starting your installation, please ensure that your iDatalink Maestro module is programmed with the correct firmware for your vehicle and that you carefully review the install guide.

Please note that Maestro RR will only retain functionalities that were originally available in the vehicle.

NEED HELP?

 **1 866 427-2999**

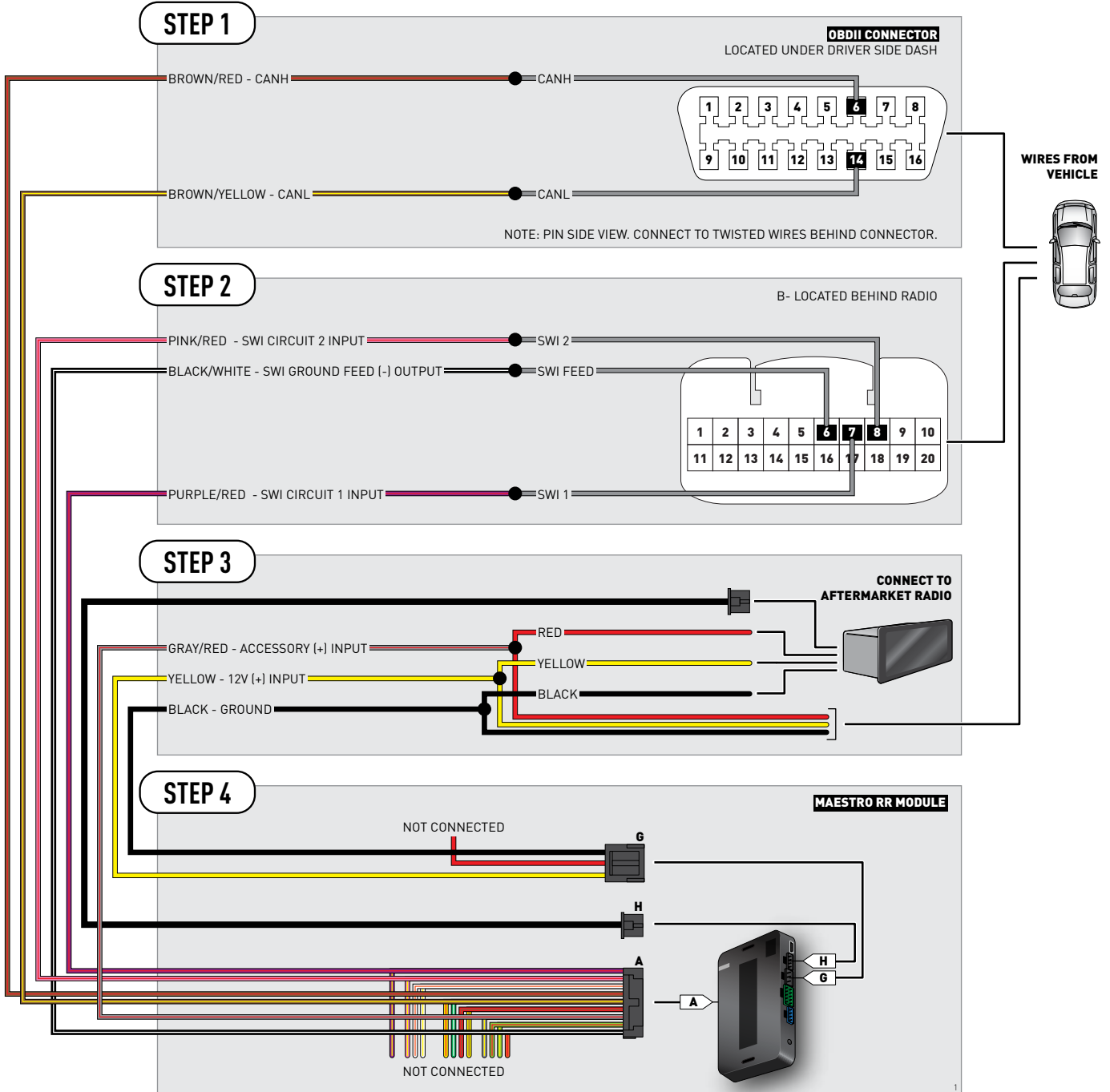
 support@idatalink.com

 maestro.idatalink.com/support
www.12voltdata.com/forum

TABLE OF CONTENTS

Wiring Diagram	3
Vehicle Wire Reference Chart	4

WIRING DIAGRAM



VEHICLE WIRE REFERENCE CHART

Wire Description	Connector Name	Connector Color	Connector Type	Position	Wire Color	Polarity	Wire Location
CanH	A	~	16 pin	06	Black	(DATA)	OBDII connector, under driver side dash
CanL	A	~	16 pin	14	White	(DATA)	OBDII connector, under driver side dash
SWI 1	B	~	20 pin	07	White	(DATA)	Behind radio
SWI 2	B	~	20 pin	08	Red	(DATA)	Behind radio
SWI Feed	B	~	20 pin	06	Black	(-)	Behind radio



INSTALL GUIDE TOYOTA RAV 4 2012-2013

RETAINS STEERING WHEEL CONTROLS AND ADDS GAUGES



PRODUCTS REQUIRED

iDatalink Maestro RR Radio Replacement Interface
iDatalink Compatible Radio

OPTIONAL ACCESSORIES

None

PROGRAMMED FIRMWARE

ADS-RR(SI)-TOY01-DS

NOTICE: Automotive Data Solutions Inc. (ADS) recommends having this installation performed by a certified technician. Logos and trademarks used here in are the properties of their respective owners.

WELCOME

Congratulations on the purchase of your iDatalink Maestro RR Radio replacement solution. You are now a few simple steps away from enjoying your new car radio with enhanced features.

Before starting your installation, please ensure that your iDatalink Maestro module is programmed with the correct firmware for your vehicle and that you carefully review the install guide.

Please note that Maestro RR will only retain functionalities that were originally available in the vehicle.

NEED HELP?

 **1 866 427-2999**

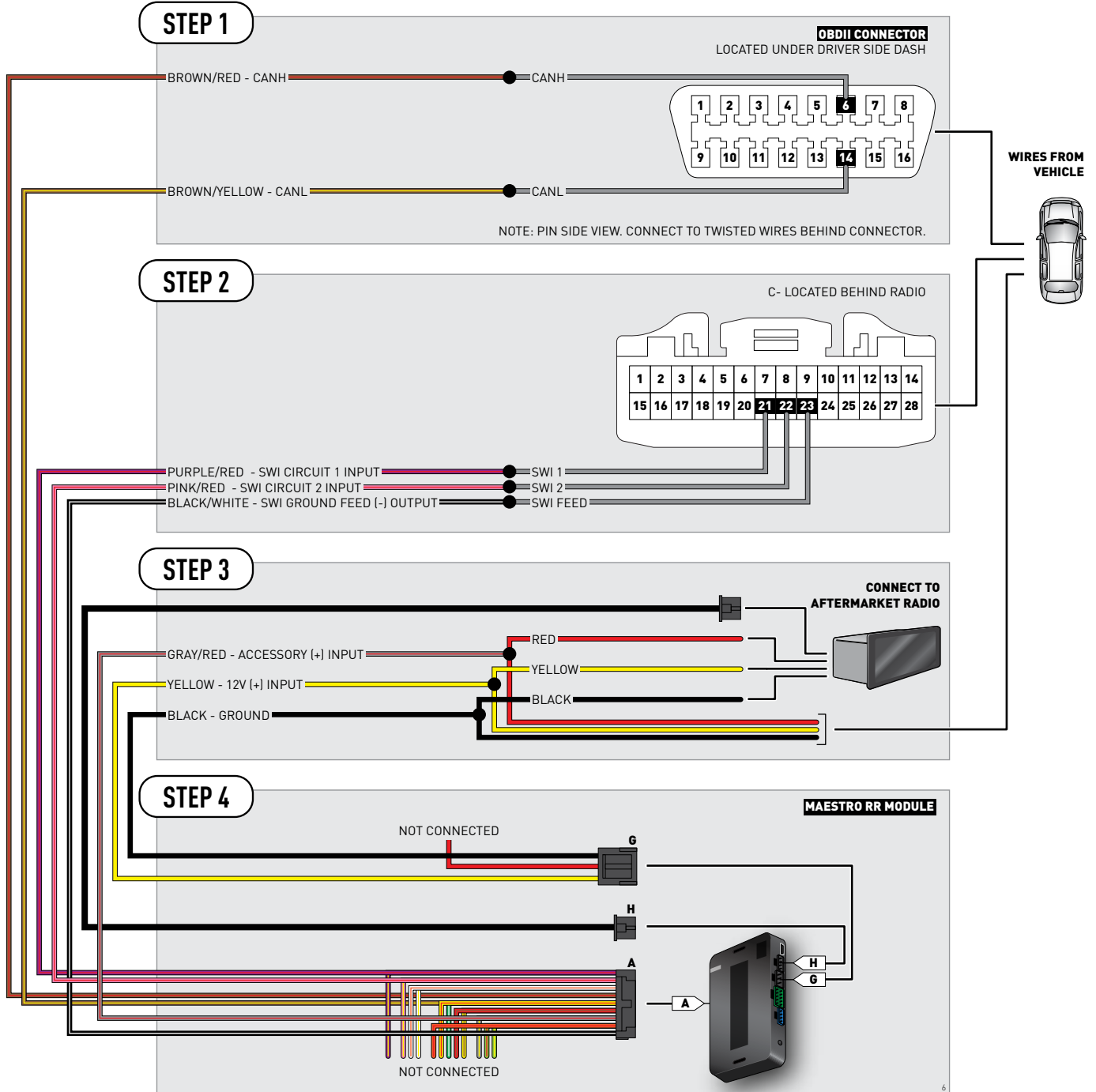
 support@idatalink.com

 maestro.idatalink.com/support
www.12voltdata.com/forum

TABLE OF CONTENTS

Wiring Diagram	3
Vehicle Wire Reference Chart	4

WIRING DIAGRAM



VEHICLE WIRE REFERENCE CHART

Wire Description	Connector Name	Connector Color	Connector Type	Position	Wire Color	Polarity	Wire Location
CanH	A	~	16 pin	06	Black	(DATA)	OBDII connector, under driver side dash
CanL	A	~	16 pin	14	White	(DATA)	OBDII connector, under driver side dash
SWI 1	C	~	28 pin	21	White	(DATA)	Behind radio
SWI 2	C	~	28 pin	22	Red	(DATA)	Behind radio
SWI Feed	C	~	28 pin	23	Black	(-)	Behind radio



INSTALL GUIDE TOYOTA RAV 4 2014-2015

RETAINS STEERING WHEEL CONTROLS AND ADDS GAUGES



PRODUCTS REQUIRED

iDatalink Maestro RR Radio Replacement Interface
iDatalink Compatible Radio

OPTIONAL ACCESSORIES

None

PROGRAMMED FIRMWARE

ADS-RR(SI)-TOY01-DS

NOTICE: Automotive Data Solutions Inc. (ADS) recommends having this installation performed by a certified technician. Logos and trademarks used here in are the properties of their respective owners.

WELCOME

Congratulations on the purchase of your iDatalink Maestro RR Radio replacement solution. You are now a few simple steps away from enjoying your new car radio with enhanced features.

Before starting your installation, please ensure that your iDatalink Maestro module is programmed with the correct firmware for your vehicle and that you carefully review the install guide.

Please note that Maestro RR will only retain functionalities that were originally available in the vehicle.

NEED HELP?

 **1 866 427-2999**

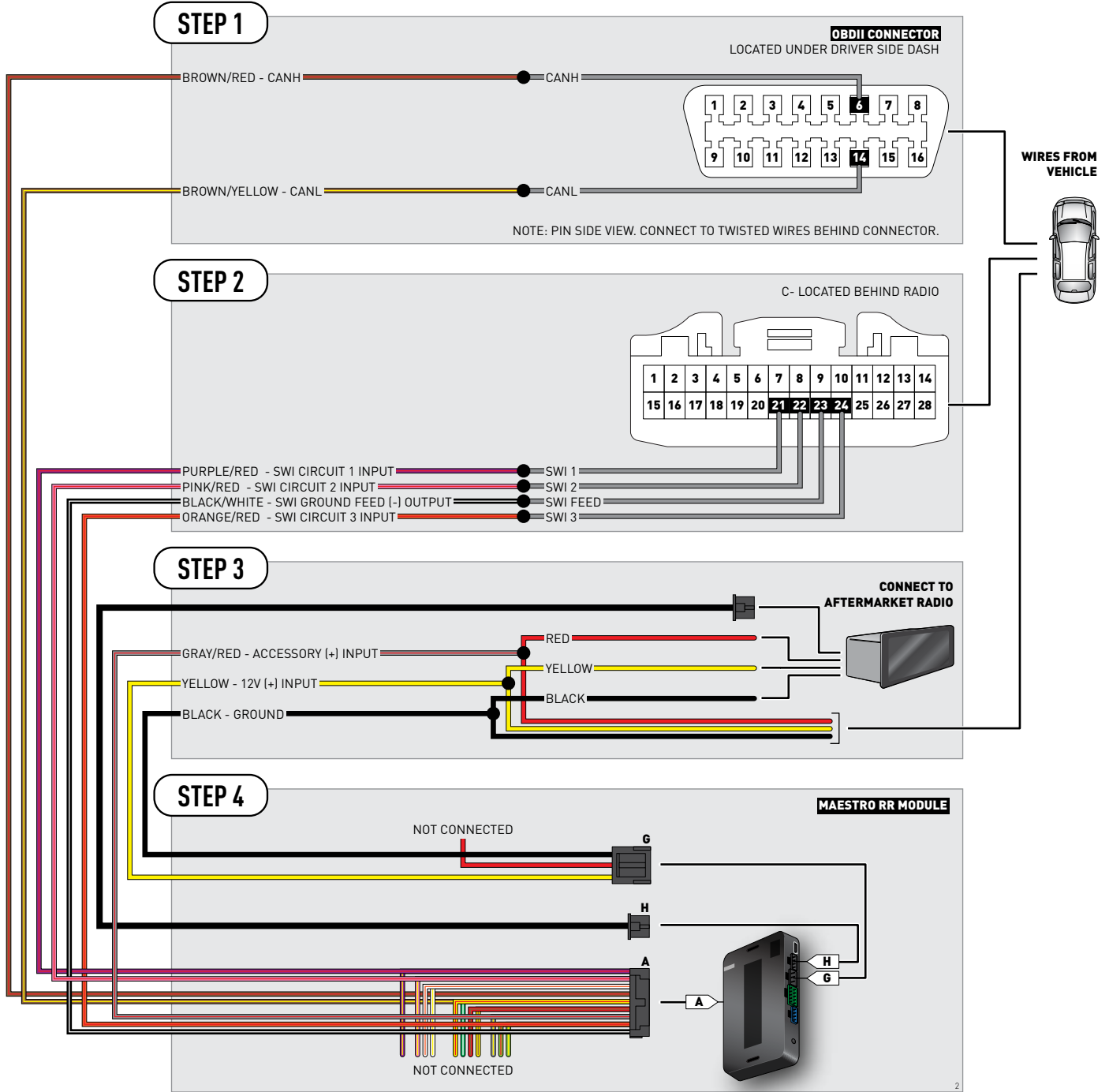
 support@idatalink.com

 maestro.idatalink.com/support
www.12voltdata.com/forum

TABLE OF CONTENTS

Wiring Diagram	3
Vehicle Wire Reference Chart	4

WIRING DIAGRAM



VEHICLE WIRE REFERENCE CHART

Wire Description	Connector Name	Connector Color	Connector Type	Position	Wire Color	Polarity	Wire Location
CanH	A	~	16 pin	06	Green	(DATA)	OBDII connector, under driver side dash
CanL	A	~	16 pin	14	Red	(DATA)	OBDII connector, under driver side dash
SWI 1	C	~	28 pin	21	White	(DATA)	Behind radio
SWI 2	C	~	28 pin	22	Red	(DATA)	Behind radio
SWI 3	C	~	28 pin	24	Green	(DATA)	Behind radio
SWI Feed	C	~	28 pin	23	Black	(-)	Behind radio



INSTALL GUIDE TOYOTA SEQUOIA 2008-2012

RETAINS STEERING WHEEL CONTROLS AND ADDS GAUGES



PRODUCTS REQUIRED

iDatalink Maestro RR Radio Replacement Interface
iDatalink Compatible Radio

OPTIONAL ACCESSORIES

None

PROGRAMMED FIRMWARE

ADS-RR(SI)-TOY01-DS

NOTICE: Automotive Data Solutions Inc. (ADS) recommends having this installation performed by a certified technician. Logos and trademarks used here in are the properties of their respective owners.

WELCOME

Congratulations on the purchase of your iDatalink Maestro RR Radio replacement solution. You are now a few simple steps away from enjoying your new car radio with enhanced features.

Before starting your installation, please ensure that your iDatalink Maestro module is programmed with the correct firmware for your vehicle and that you carefully review the install guide.

Please note that Maestro RR will only retain functionalities that were originally available in the vehicle.

NEED HELP?

 **1 866 427-2999**

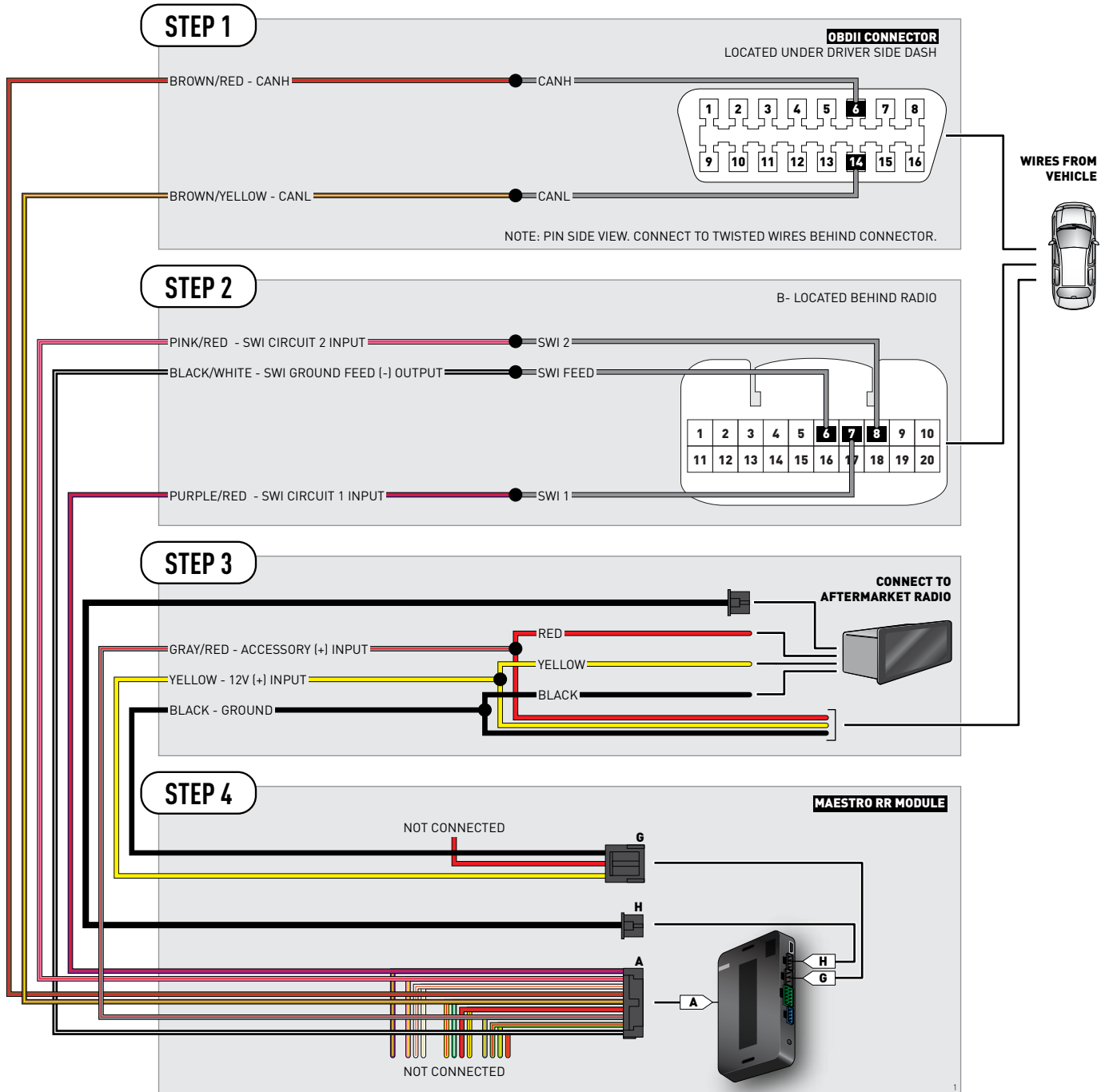
 support@idatalink.com

 maestro.idatalink.com/support
www.12voltdata.com/forum

TABLE OF CONTENTS

Wiring Diagram	3
Vehicle Wire Reference Chart	4

WIRING DIAGRAM



VEHICLE WIRE REFERENCE CHART

Wire Description	Connector Name	Connector Color	Connector Type	Position	Wire Color	Polarity	Wire Location
CanH	A	~	16 pin	06	Violet	(DATA)	OBDII connector, under driver side dash
CanL	A	~	16 pin	14	White	(DATA)	OBDII connector, under driver side dash
SWI 1	B	~	20 pin	07	LtGreen	(DATA)	Behind radio
SWI 2	B	~	20 pin	08	Gray	(DATA)	Behind radio
SWI Feed	B	~	20 pin	06	Brown	(-)	Behind radio



INSTALL GUIDE TOYOTA SEQUOIA 2013

RETAINS STEERING WHEEL CONTROLS AND ADDS GAUGES



PRODUCTS REQUIRED

iDatalink Maestro RR Radio Replacement Interface
iDatalink Compatible Radio

OPTIONAL ACCESSORIES

None

PROGRAMMED FIRMWARE

ADS-RR(SI)-TOY01-DS

NOTICE: Automotive Data Solutions Inc. (ADS) recommends having this installation performed by a certified technician. Logos and trademarks used here in are the properties of their respective owners.

WELCOME

Congratulations on the purchase of your iDatalink Maestro RR Radio replacement solution. You are now a few simple steps away from enjoying your new car radio with enhanced features.

Before starting your installation, please ensure that your iDatalink Maestro module is programmed with the correct firmware for your vehicle and that you carefully review the install guide.

Please note that Maestro RR will only retain functionalities that were originally available in the vehicle.

NEED HELP?

 **1 866 427-2999**

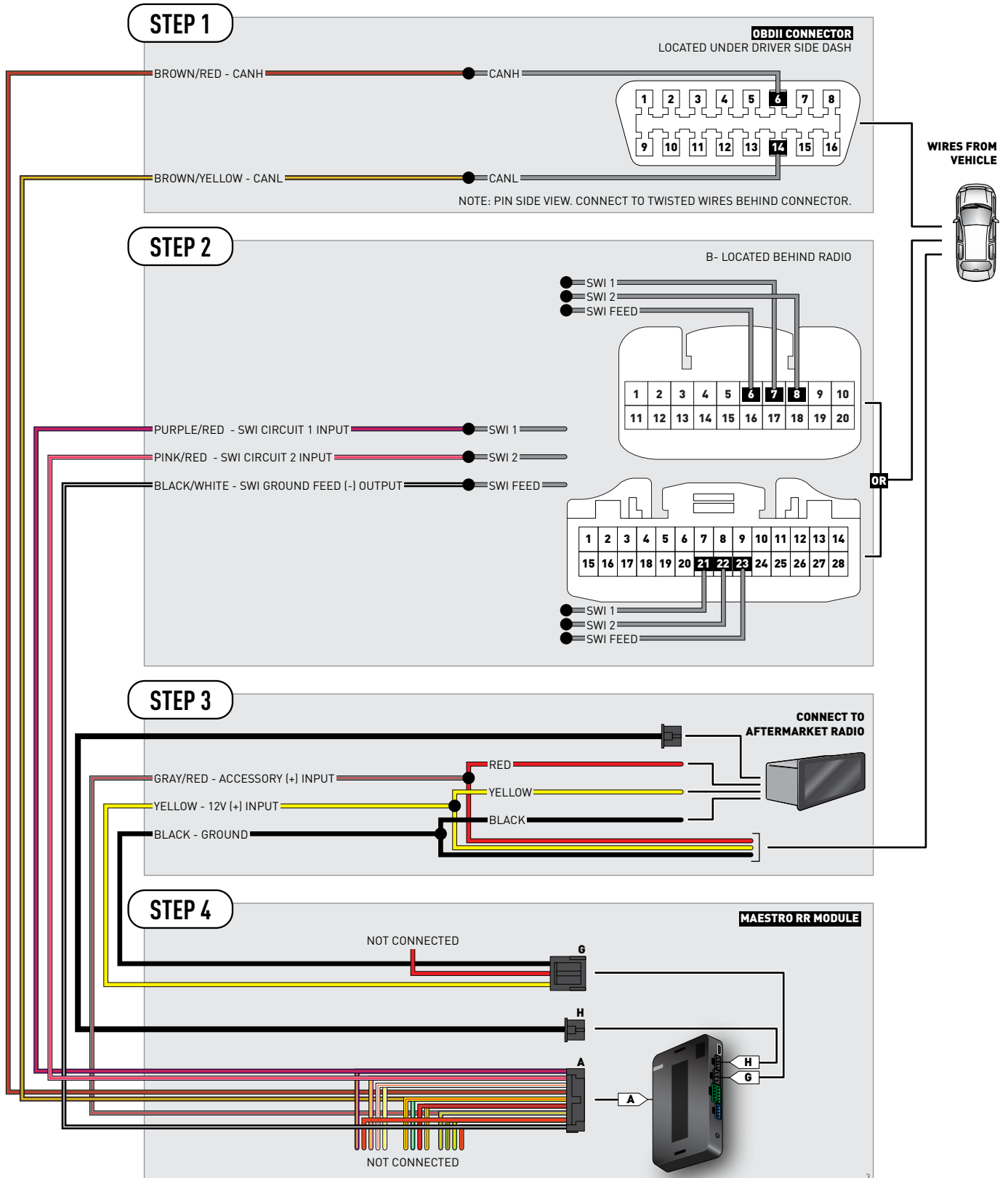
 support@idatalink.com

 maestro.idatalink.com/support
www.12voltdata.com/forum

TABLE OF CONTENTS

Wiring Diagram	3
Vehicle Wire Reference Chart	4

WIRING DIAGRAM



VEHICLE WIRE REFERENCE CHART

Wire Description	Connector Name	Connector Color	Connector Type	Position	Wire Color	Polarity	Wire Location
CanH	A	~	16 pin	06	Violet	(DATA)	OBDII connector, under driver side dash
CanL	A	~	16 pin	14	White	(DATA)	OBDII connector, under driver side dash
SWI 1	B	~	20 or 28 pin	07 or 21	LtGreen	(DATA)	Behind radio
SWI 2	B	~	20 or 28 pin	08 or 22	Gray	(DATA)	Behind radio
SWI Feed	B	~	20 or 28 pin	06 or 23	Brown	(-)	Behind radio



INSTALL GUIDE TOYOTA SEQUOIA 2014-2015

RETAINS STEERING WHEEL CONTROLS AND ADDS GAUGES



PRODUCTS REQUIRED

iDatalink Maestro RR Radio Replacement Interface
iDatalink Compatible Radio

OPTIONAL ACCESSORIES

None

PROGRAMMED FIRMWARE

ADS-RR(SI)-TOY01-DS

NOTICE: Automotive Data Solutions Inc. (ADS) recommends having this installation performed by a certified technician. Logos and trademarks used here in are the properties of their respective owners.

WELCOME

Congratulations on the purchase of your iDatalink Maestro RR Radio replacement solution. You are now a few simple steps away from enjoying your new car radio with enhanced features.

Before starting your installation, please ensure that your iDatalink Maestro module is programmed with the correct firmware for your vehicle and that you carefully review the install guide.

Please note that Maestro RR will only retain functionalities that were originally available in the vehicle.

NEED HELP?

 **1 866 427-2999**

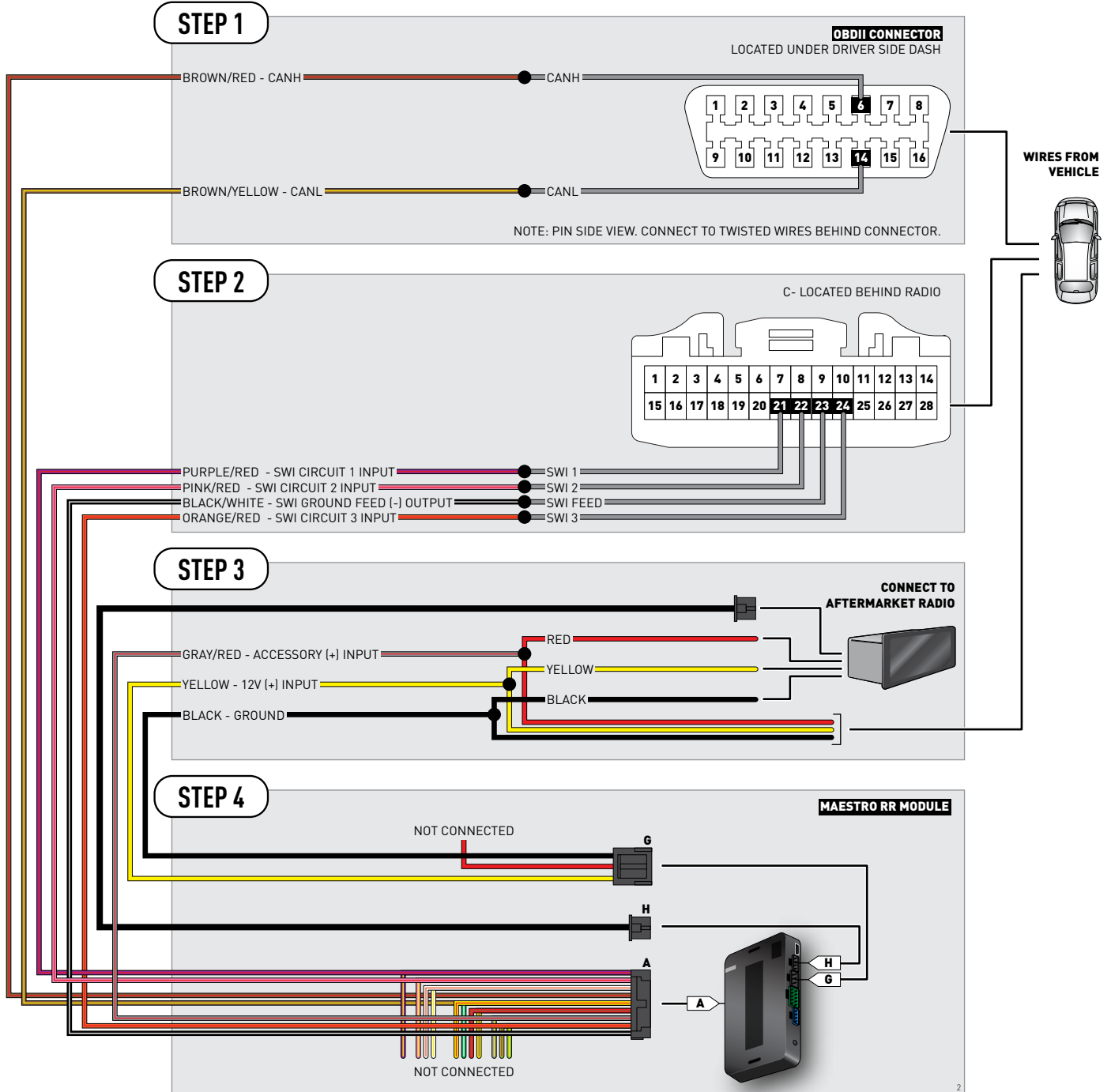
 support@idatalink.com

 maestro.idatalink.com/support
www.12voltdata.com/forum

TABLE OF CONTENTS

Wiring Diagram	3
Vehicle Wire Reference Chart	4

WIRING DIAGRAM



VEHICLE WIRE REFERENCE CHART

Wire Description	Connector Name	Connector Color	Connector Type	Position	Wire Color	Polarity	Wire Location
CanH	A	~	16 pin	06	Violet	(DATA)	OBDII connector, under driver side dash
CanL	A	~	16 pin	14	White	(DATA)	OBDII connector, under driver side dash
SWI 1	B	~	28 pin	21	Green	(DATA)	Behind radio
SWI 2	B	~	28 pin	22	Gray	(DATA)	Behind radio
SWI 3	B	~	28 pin	24	White	(DATA)	Behind radio
SWI Feed	B	~	28 pin	23	Brown	(-)	Behind radio



INSTALL GUIDE TOYOTA SIENNA 2007-2010

RETAINS STEERING WHEEL CONTROLS AND ADDS GAUGES



PRODUCTS REQUIRED

iDatalink Maestro RR Radio Replacement Interface
iDatalink Compatible Radio

OPTIONAL ACCESSORIES

None

PROGRAMMED FIRMWARE

ADS-RR(SI)-TOY01-DS

NOTICE: Automotive Data Solutions Inc. (ADS) recommends having this installation performed by a certified technician. Logos and trademarks used here in are the properties of their respective owners.

WELCOME

Congratulations on the purchase of your iDatalink Maestro RR Radio replacement solution. You are now a few simple steps away from enjoying your new car radio with enhanced features.

Before starting your installation, please ensure that your iDatalink Maestro module is programmed with the correct firmware for your vehicle and that you carefully review the install guide.

Please note that Maestro RR will only retain functionalities that were originally available in the vehicle.

NEED HELP?

 **1 866 427-2999**

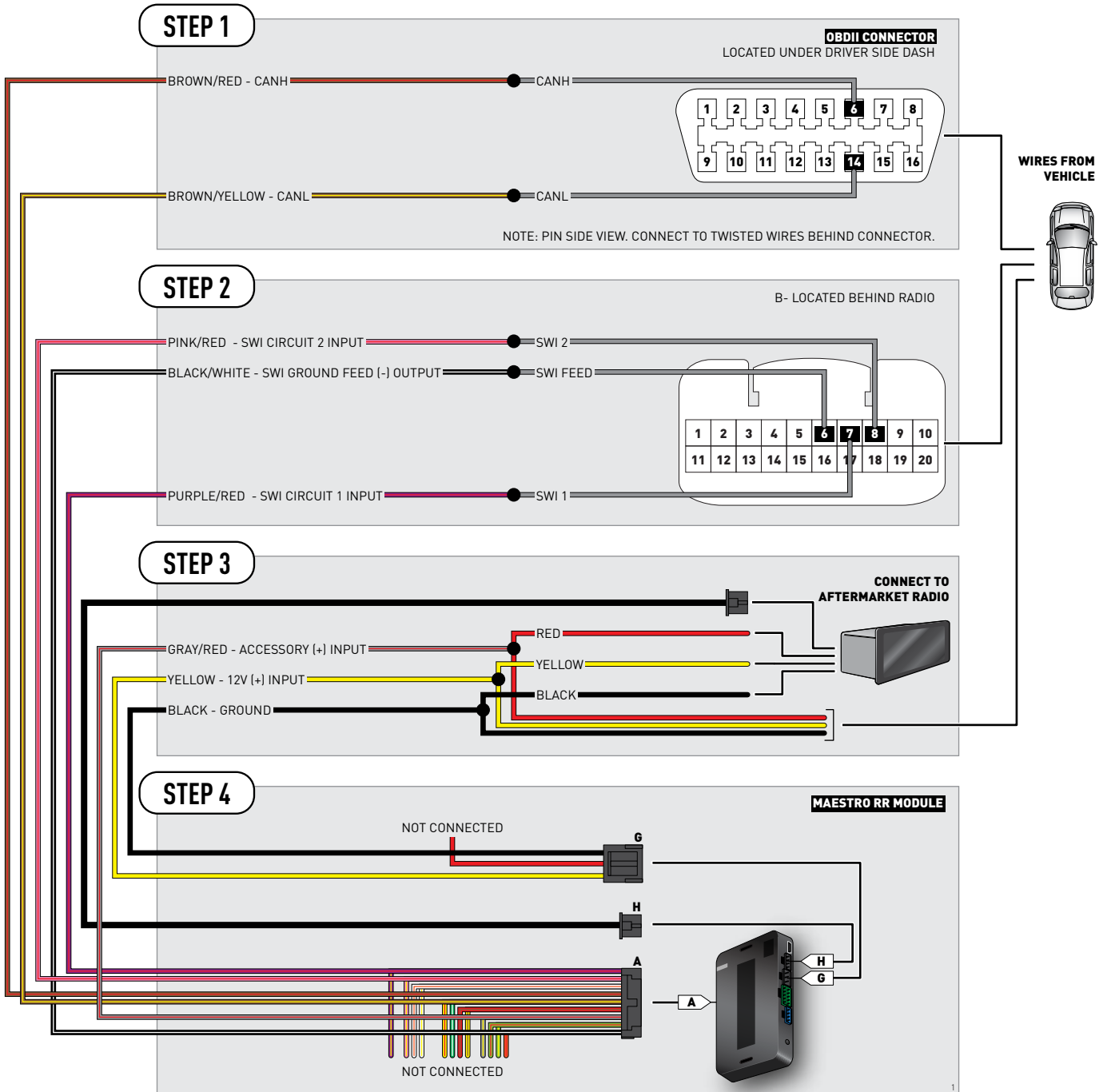
 support@idatalink.com

 maestro.idatalink.com/support
www.12voltdata.com/forum

TABLE OF CONTENTS

Wiring Diagram	3
Vehicle Wire Reference Chart	4

WIRING DIAGRAM



VEHICLE WIRE REFERENCE CHART

Wire Description	Connector Name	Connector Color	Connector Type	Position	Wire Color	Polarity	Wire Location
CanH	A	~	16 pin	06	Black	[DATA]	OBDII connector, under driver side dash
CanL	A	~	16 pin	14	White	[DATA]	OBDII connector, under driver side dash
SWI 1	B	~	20 pin	07	LtGreen	[DATA]	Behind radio
SWI 2	B	~	20 pin	08	Blue	[DATA]	Behind radio
SWI Feed	B	~	20 pin	06	Yellow	(-)	Behind radio



INSTALL GUIDE TOYOTA SIENNA 2011-2014

RETAINS STEERING WHEEL CONTROLS AND ADDS GAUGES



PRODUCTS REQUIRED

iDatalink Maestro RR Radio Replacement Interface
iDatalink Compatible Radio

OPTIONAL ACCESSORIES

None

PROGRAMMED FIRMWARE

ADS-RR(SI)-TOY01-DS

NOTICE: Automotive Data Solutions Inc. (ADS) recommends having this installation performed by a certified technician. Logos and trademarks used here in are the properties of their respective owners.

WELCOME

Congratulations on the purchase of your iDatalink Maestro RR Radio replacement solution. You are now a few simple steps away from enjoying your new car radio with enhanced features.

Before starting your installation, please ensure that your iDatalink Maestro module is programmed with the correct firmware for your vehicle and that you carefully review the install guide.

Please note that Maestro RR will only retain functionalities that were originally available in the vehicle.

NEED HELP?

 **1 866 427-2999**

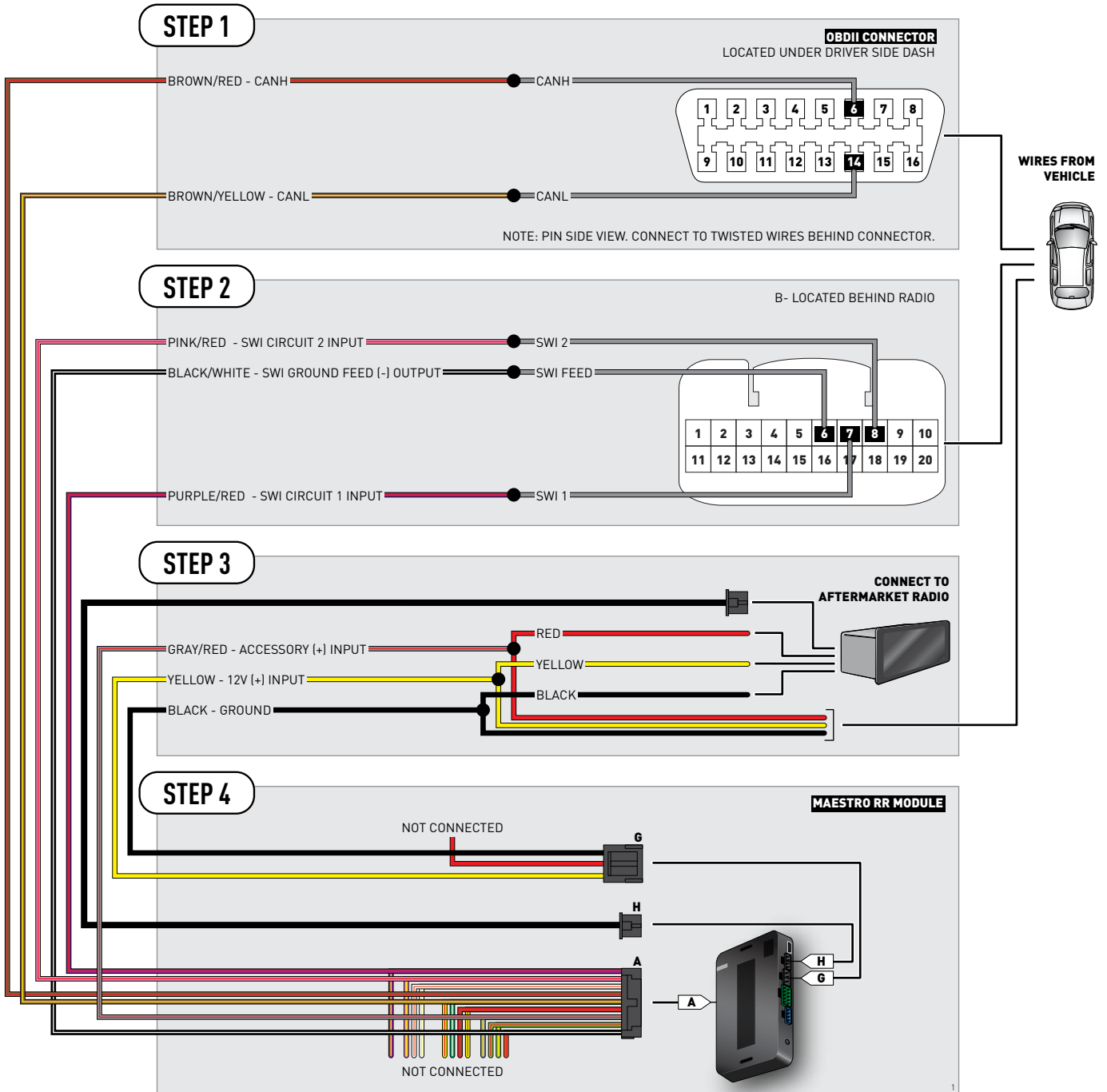
 support@idatalink.com

 maestro.idatalink.com/support
www.12voltdata.com/forum

TABLE OF CONTENTS

Wiring Diagram	3
Vehicle Wire Reference Chart	4

WIRING DIAGRAM



VEHICLE WIRE REFERENCE CHART

Wire Description	Connector Name	Connector Color	Connector Type	Position	Wire Color	Polarity	Wire Location
CanH	A	~	16 pin	06	Red	(DATA)	OBDII connector, under driver side dash
CanL	A	~	16 pin	14	White	(DATA)	OBDII connector, under driver side dash
SWI 1	B	~	20 pin	07	Black	(DATA)	Behind radio
SWI 2	B	~	20 pin	08	LtGreen	(DATA)	Behind radio
SWI Feed	B	~	20 pin	06	LtBlue	(-)	Behind radio



INSTALL GUIDE TOYOTA TACOMA 2006-2011

RETAINS STEERING WHEEL CONTROLS AND ADDS GAUGES



PRODUCTS REQUIRED

iDatalink Maestro RR Radio Replacement Interface
iDatalink Compatible Radio

OPTIONAL ACCESSORIES

None

PROGRAMMED FIRMWARE

ADS-RR(SI)-TOY01-DS

NOTICE: Automotive Data Solutions Inc. (ADS) recommends having this installation performed by a certified technician. Logos and trademarks used here in are the properties of their respective owners.

WELCOME

Congratulations on the purchase of your iDatalink Maestro RR Radio replacement solution. You are now a few simple steps away from enjoying your new car radio with enhanced features.

Before starting your installation, please ensure that your iDatalink Maestro module is programmed with the correct firmware for your vehicle and that you carefully review the install guide.

Please note that Maestro RR will only retain functionalities that were originally available in the vehicle.

NEED HELP?

 **1 866 427-2999**

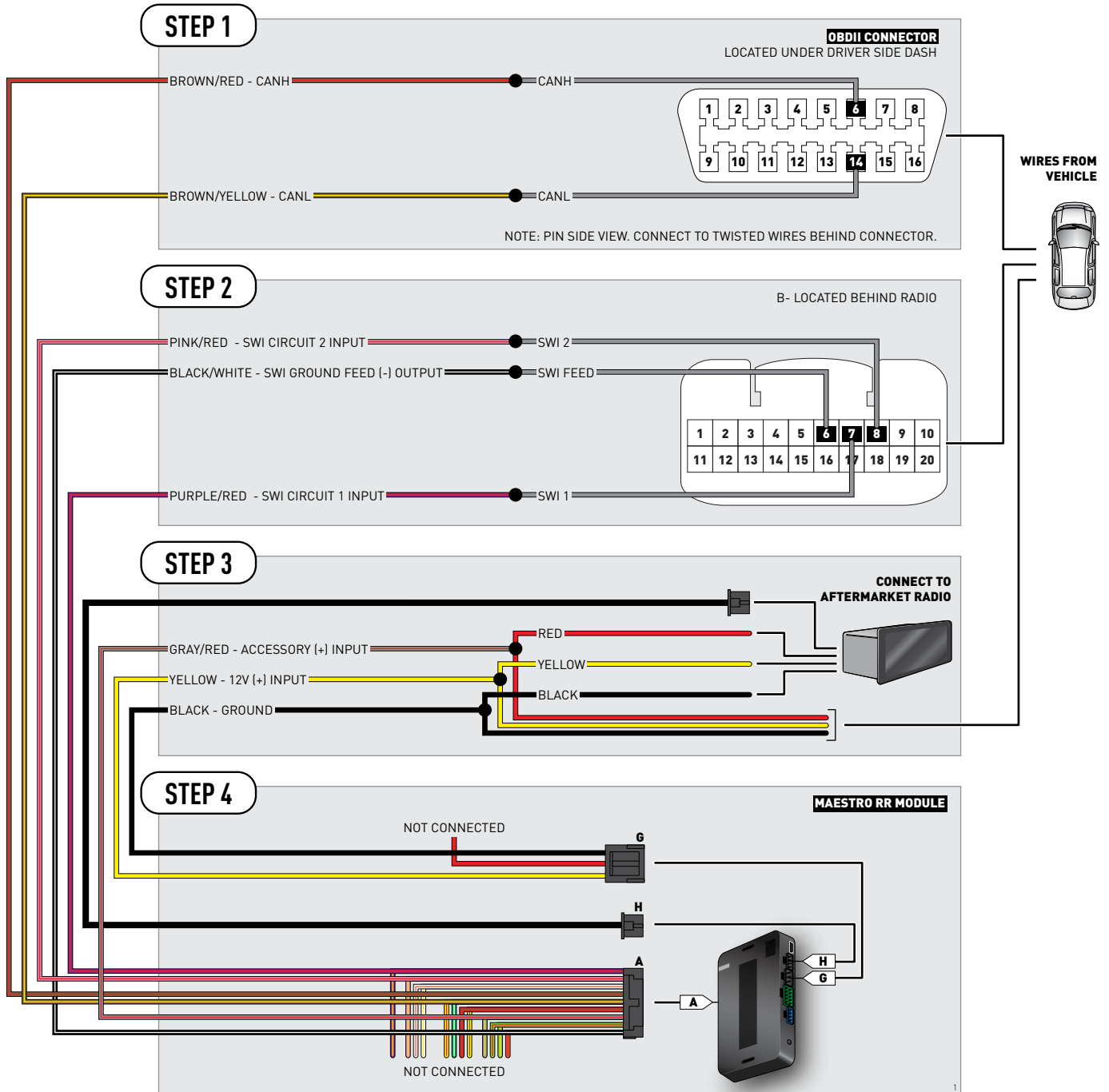
 **support@idatalink.com**

 **maestro.idatalink.com/support
www.12voltdata.com/forum**

TABLE OF CONTENTS

Wiring Diagram	3
Vehicle Wire Reference Chart	4

WIRING DIAGRAM



VEHICLE WIRE REFERENCE CHART

Wire Description	Connector Name	Connector Color	Connector Type	Position	Wire Color	Polarity	Wire Location
CanH	A	~	16 pin	06	Yellow/Black	(DATA)	OBDII connector, under driver side dash
CanL	A	~	16 pin	14	Blue/White	(DATA)	OBDII connector, under driver side dash
SWI 1	B	~	20 pin	07	Violet/White	(DATA)	Behind radio
SWI 2	B	~	20 pin	08	Yellow/Black	(DATA)	Behind radio
SWI Feed	B	~	20 pin	06	White/Red	(-)	Behind radio



INSTALL GUIDE TOYOTA TACOMA 2012-2013

RETAINS STEERING WHEEL CONTROLS AND ADDS GAUGES



PRODUCTS REQUIRED

iDatalink Maestro RR Radio Replacement Interface
iDatalink Compatible Radio

OPTIONAL ACCESSORIES

None

PROGRAMMED FIRMWARE

ADS-RR(SI)-TOY01-DS

NOTICE: Automotive Data Solutions Inc. (ADS) recommends having this installation performed by a certified technician. Logos and trademarks used here in are the properties of their respective owners.

WELCOME

Congratulations on the purchase of your iDatalink Maestro RR Radio replacement solution. You are now a few simple steps away from enjoying your new car radio with enhanced features.

Before starting your installation, please ensure that your iDatalink Maestro module is programmed with the correct firmware for your vehicle and that you carefully review the install guide.

Please note that Maestro RR will only retain functionalities that were originally available in the vehicle.

NEED HELP?

 **1 866 427-2999**

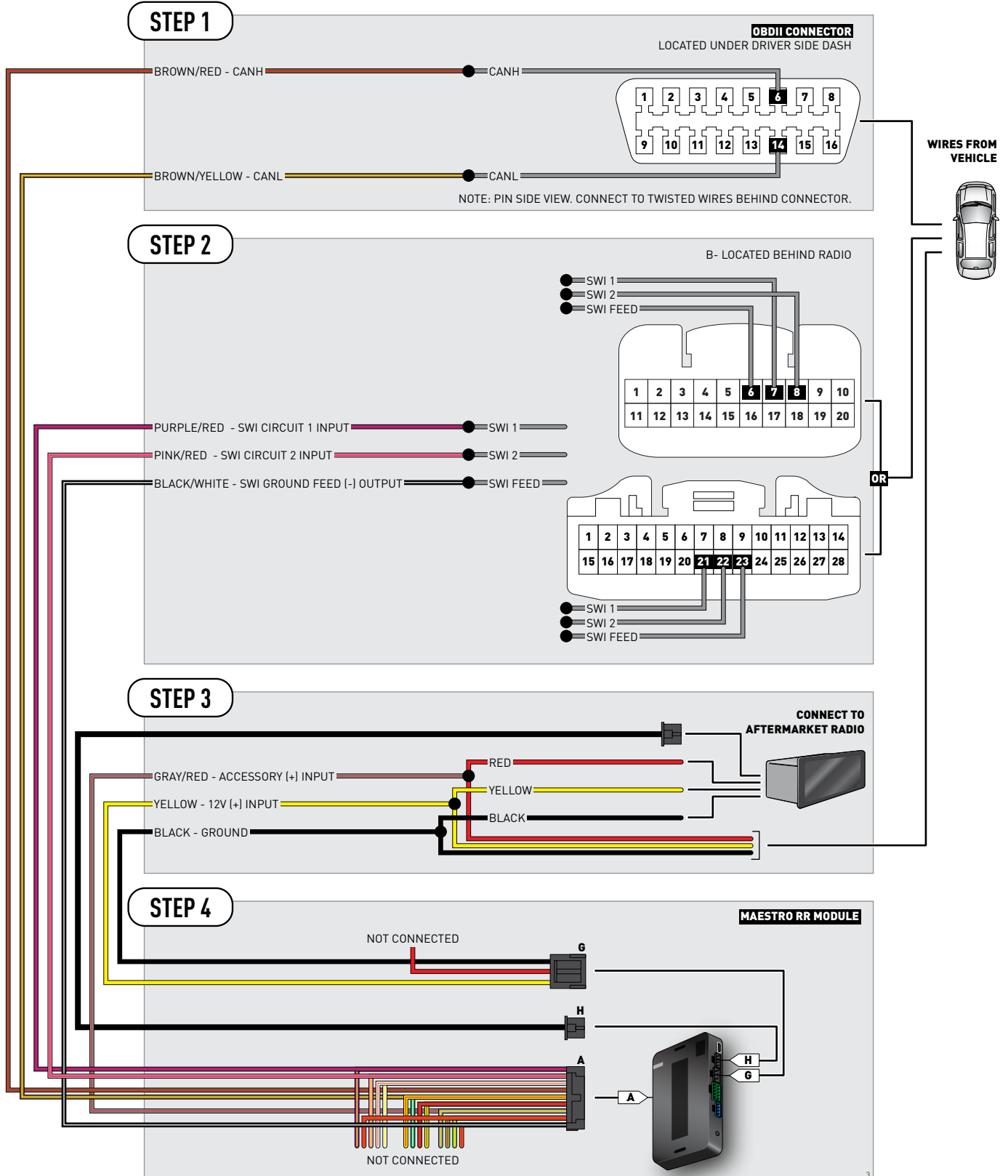
 support@idatalink.com

 maestro.idatalink.com/support
www.12voltdata.com/forum

TABLE OF CONTENTS

Wiring Diagram	3
Vehicle Wire Reference Chart	4

WIRING DIAGRAM



VEHICLE WIRE REFERENCE CHART

Wire Description	Connector Name	Connector Color	Connector Type	Position	Wire Color	Polarity	Wire Location
CanH	A	~	16 pin	06	Yellow/Black	(DATA)	OBDII connector, under driver side dash
CanL	A	~	16 pin	14	Blue/White	(DATA)	OBDII connector, under driver side dash
SWI 1	B	~	20 or 28 pin	07 or 21	Violet/White	(DATA)	Behind radio
SWI 2	B	~	20 or 28 pin	08 or 22	Yellow/Black	(DATA)	Behind radio
SWI Feed	B	~	20 or 28 pin	06 or 23	White/Red	(-)	Behind radio



INSTALL GUIDE TOYOTA TACOMA 2014-2015

RETAINS STEERING WHEEL CONTROLS AND ADDS GAUGES



PRODUCTS REQUIRED

iDatalink Maestro RR Radio Replacement Interface
iDatalink Compatible Radio

OPTIONAL ACCESSORIES

None

PROGRAMMED FIRMWARE

ADS-RR(SI)-TOY01-DS

NOTICE: Automotive Data Solutions Inc. (ADS) recommends having this installation performed by a certified technician. Logos and trademarks used here in are the properties of their respective owners.

WELCOME

Congratulations on the purchase of your iDatalink Maestro RR Radio replacement solution. You are now a few simple steps away from enjoying your new car radio with enhanced features.

Before starting your installation, please ensure that your iDatalink Maestro module is programmed with the correct firmware for your vehicle and that you carefully review the install guide.

Please note that Maestro RR will only retain functionalities that were originally available in the vehicle.

NEED HELP?

 **1 866 427-2999**

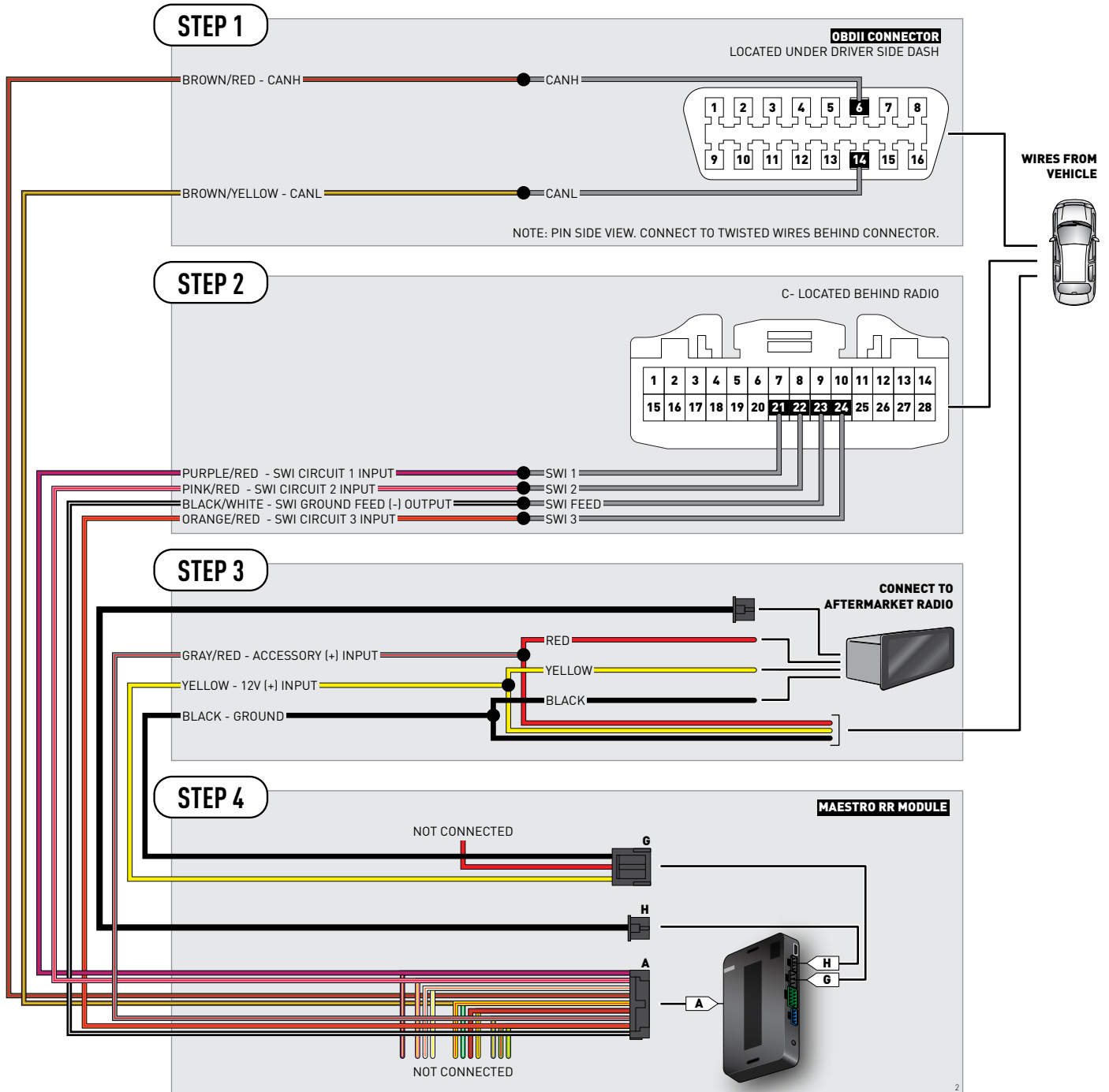
 support@idatalink.com

 maestro.idatalink.com/support
www.12voltdata.com/forum

TABLE OF CONTENTS

Wiring Diagram	3
Vehicle Wire Reference Chart	4

WIRING DIAGRAM



VEHICLE WIRE REFERENCE CHART

Wire Description	Connector Name	Connector Color	Connector Type	Position	Wire Color	Polarity	Wire Location
CanH	A	~	16 pin	06	Yellow/Black	(DATA)	OBDII connector, under driver side dash
CanL	A	~	16 pin	14	Blue/White	(DATA)	OBDII connector, under driver side dash
SWI 1	B	~	28 pin	21	Violet/White	(DATA)	Behind radio
SWI 2	B	~	28 pin	22	Yellow/Black	(DATA)	Behind radio
SWI 3	B	~	28 pin	24	Black	(DATA)	Behind radio
SWI Feed	B	~	28 pin	23	White/Red	(-)	Behind radio



INSTALL GUIDE TOYOTA TUNDRA 2006-2013

RETAINS STEERING WHEEL CONTROLS AND ADDS GAUGES



PRODUCTS REQUIRED

iDatalink Maestro RR Radio Replacement Interface
iDatalink Compatible Radio

OPTIONAL ACCESSORIES

None

PROGRAMMED FIRMWARE

ADS-RR(SI)-TOY01-DS

NOTICE: Automotive Data Solutions Inc. (ADS) recommends having this installation performed by a certified technician. Logos and trademarks used here in are the properties of their respective owners.

WELCOME

Congratulations on the purchase of your iDatalink Maestro RR Radio replacement solution. You are now a few simple steps away from enjoying your new car radio with enhanced features.

Before starting your installation, please ensure that your iDatalink Maestro module is programmed with the correct firmware for your vehicle and that you carefully review the install guide.

Please note that Maestro RR will only retain functionalities that were originally available in the vehicle.

NEED HELP?

 **1 866 427-2999**

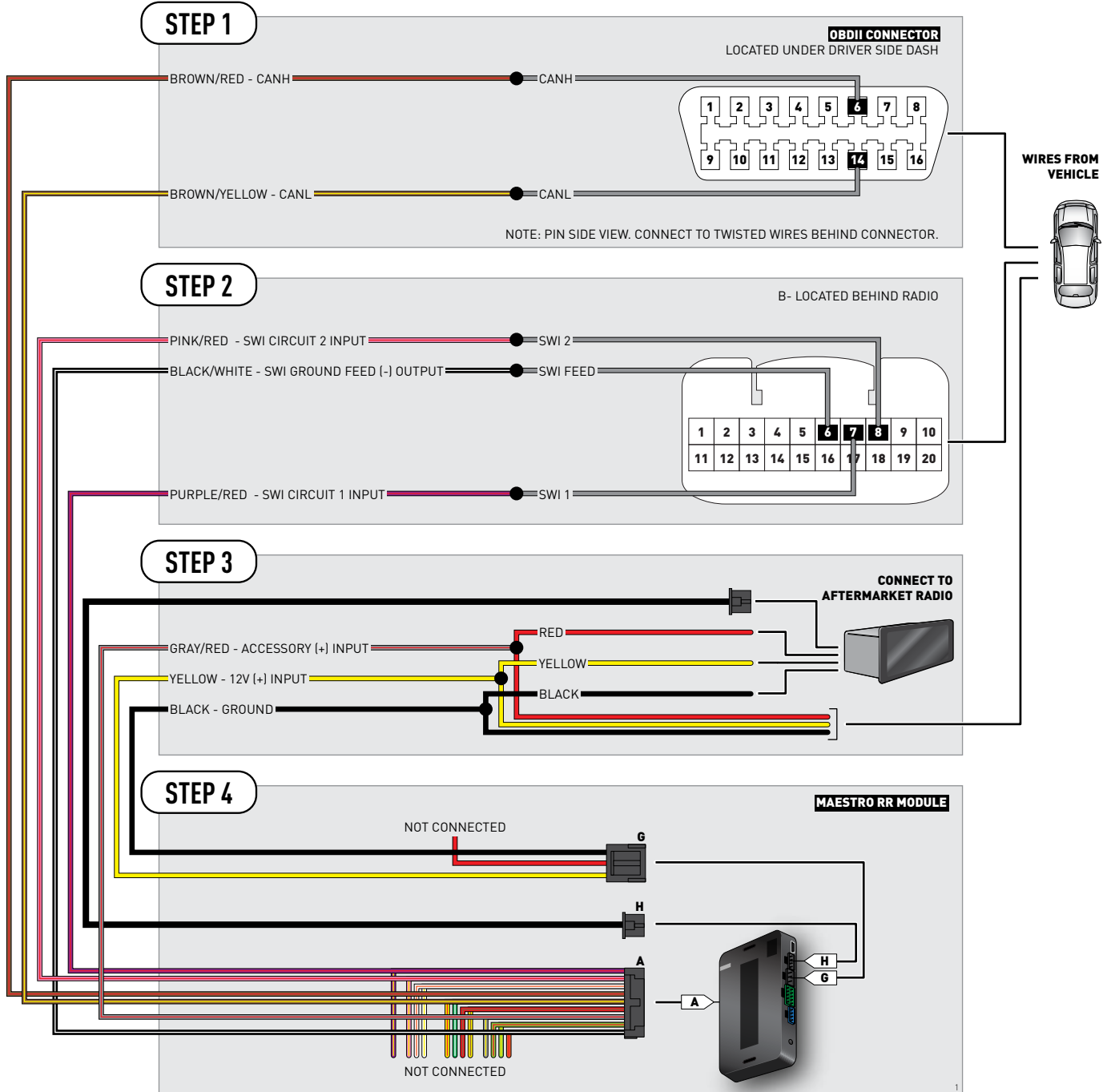
 support@idatalink.com

 maestro.idatalink.com/support
www.12voltdata.com/forum

TABLE OF CONTENTS

Wiring Diagram	3
Vehicle Wire Reference Chart	4

WIRING DIAGRAM



VEHICLE WIRE REFERENCE CHART

Wire Description	Connector Name	Connector Color	Connector Type	Position	Wire Color	Polarity	Wire Location
CanH	A	~	16 pin	06	Violet	(DATA)	OBDII connector, under driver side dash
CanL	A	~	16 pin	14	White	(DATA)	OBDII connector, under driver side dash
SWI 1	B	~	20 pin	07	LtGreen	(DATA)	Behind radio
SWI 2	B	~	20 pin	08	Gray	(DATA)	Behind radio
SWI Feed	B	~	20 pin	06	Brown	(-)	Behind radio



INSTALL GUIDE TOYOTA TUNDRA 2014-2015

RETAINS STEERING WHEEL CONTROLS AND ADDS GAUGES



PRODUCTS REQUIRED

iDatalink Maestro RR Radio Replacement Interface
iDatalink Compatible Radio

OPTIONAL ACCESSORIES

None

PROGRAMMED FIRMWARE

ADS-RR(SI)-TOY01-DS

NOTICE: Automotive Data Solutions Inc. (ADS) recommends having this installation performed by a certified technician. Logos and trademarks used here in are the properties of their respective owners.

WELCOME

Congratulations on the purchase of your iDatalink Maestro RR Radio replacement solution. You are now a few simple steps away from enjoying your new car radio with enhanced features.

Before starting your installation, please ensure that your iDatalink Maestro module is programmed with the correct firmware for your vehicle and that you carefully review the install guide.

Please note that Maestro RR will only retain functionalities that were originally available in the vehicle.

NEED HELP?

 **1 866 427-2999**

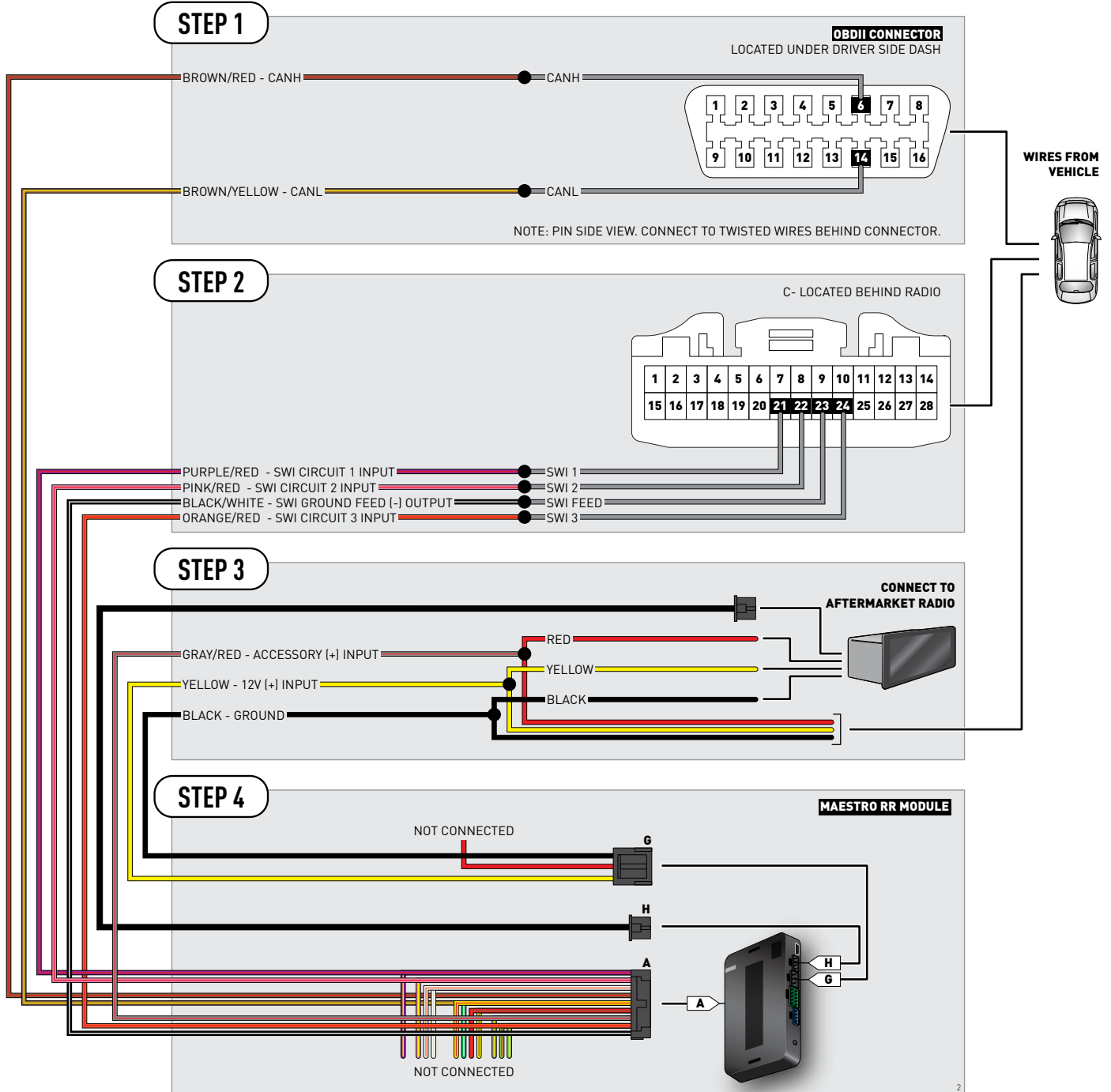
 support@idatalink.com

 maestro.idatalink.com/support
www.12voltdata.com/forum

TABLE OF CONTENTS

Wiring Diagram	3
Vehicle Wire Reference Chart	4

WIRING DIAGRAM



VEHICLE WIRE REFERENCE CHART

Wire Description	Connector Name	Connector Color	Connector Type	Position	Wire Color	Polarity	Wire Location
CanH	A	~	16 pin	06	Violet	(DATA)	OBDII connector, under driver side dash
CanL	A	~	16 pin	14	White	(DATA)	OBDII connector, under driver side dash
SWI 1	B	~	28 pin	21	Violet/White	(DATA)	Behind radio
SWI 2	B	~	28 pin	22	Yellow/Black	(DATA)	Behind radio
SWI 3	B	~	28 pin	24	Black	(DATA)	Behind radio
SWI Feed	B	~	28 pin	23	White/Red	(-)	Behind radio



INSTALL GUIDE TOYOTA VENZA 2009-2012

RETAINS STEERING WHEEL CONTROLS AND ADDS GAUGES



PRODUCTS REQUIRED

iDatalink Maestro RR Radio Replacement Interface
iDatalink Compatible Radio

OPTIONAL ACCESSORIES

None

PROGRAMMED FIRMWARE

ADS-RR(SI)-TOY01-DS

NOTICE: Automotive Data Solutions Inc. (ADS) recommends having this installation performed by a certified technician. Logos and trademarks used here in are the properties of their respective owners.

WELCOME

Congratulations on the purchase of your iDatalink Maestro RR Radio replacement solution. You are now a few simple steps away from enjoying your new car radio with enhanced features.

Before starting your installation, please ensure that your iDatalink Maestro module is programmed with the correct firmware for your vehicle and that you carefully review the install guide.

Please note that Maestro RR will only retain functionalities that were originally available in the vehicle.

NEED HELP?

 **1 866 427-2999**

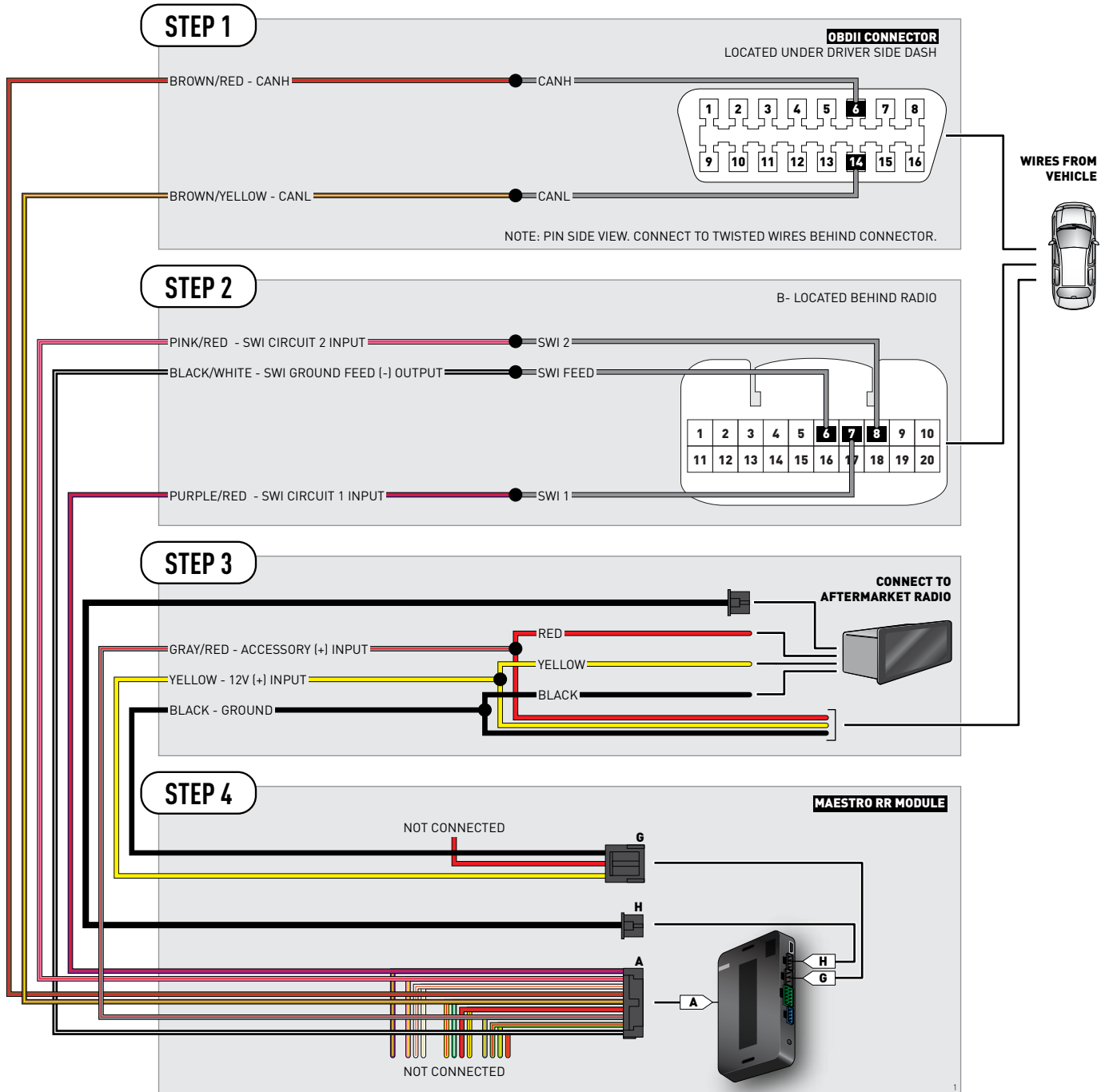
 support@idatalink.com

 maestro.idatalink.com/support
www.12voltdata.com/forum

TABLE OF CONTENTS

Wiring Diagram	3
Vehicle Wire Reference Chart	4

WIRING DIAGRAM



VEHICLE WIRE REFERENCE CHART

Wire Description	Connector Name	Connector Color	Connector Type	Position	Wire Color	Polarity	Wire Location
CanH	A	~	16 pin	06	Yellow	(DATA)	OBDII connector, under driver side dash
CanL	A	~	16 pin	14	White	(DATA)	OBDII connector, under driver side dash
SWI 1	B	~	20 pin	07	Gray	(DATA)	Behind radio
SWI 2	B	~	20 pin	08	LtGreen	(DATA)	Behind radio
SWI Feed	B	~	20 pin	06	Red	(-)	Behind radio



INSTALL GUIDE TOYOTA VENZA 2013-2015

RETAINS STEERING WHEEL CONTROLS AND ADDS GAUGES



PRODUCTS REQUIRED

iDatalink Maestro RR Radio Replacement Interface
iDatalink Compatible Radio

OPTIONAL ACCESSORIES

None

PROGRAMMED FIRMWARE

ADS-RR(SI)-TOY01-DS

NOTICE: Automotive Data Solutions Inc. (ADS) recommends having this installation performed by a certified technician. Logos and trademarks used here in are the properties of their respective owners.

WELCOME

Congratulations on the purchase of your iDatalink Maestro RR Radio replacement solution. You are now a few simple steps away from enjoying your new car radio with enhanced features.

Before starting your installation, please ensure that your iDatalink Maestro module is programmed with the correct firmware for your vehicle and that you carefully review the install guide.

Please note that Maestro RR will only retain functionalities that were originally available in the vehicle.

NEED HELP?

 **1 866 427-2999**

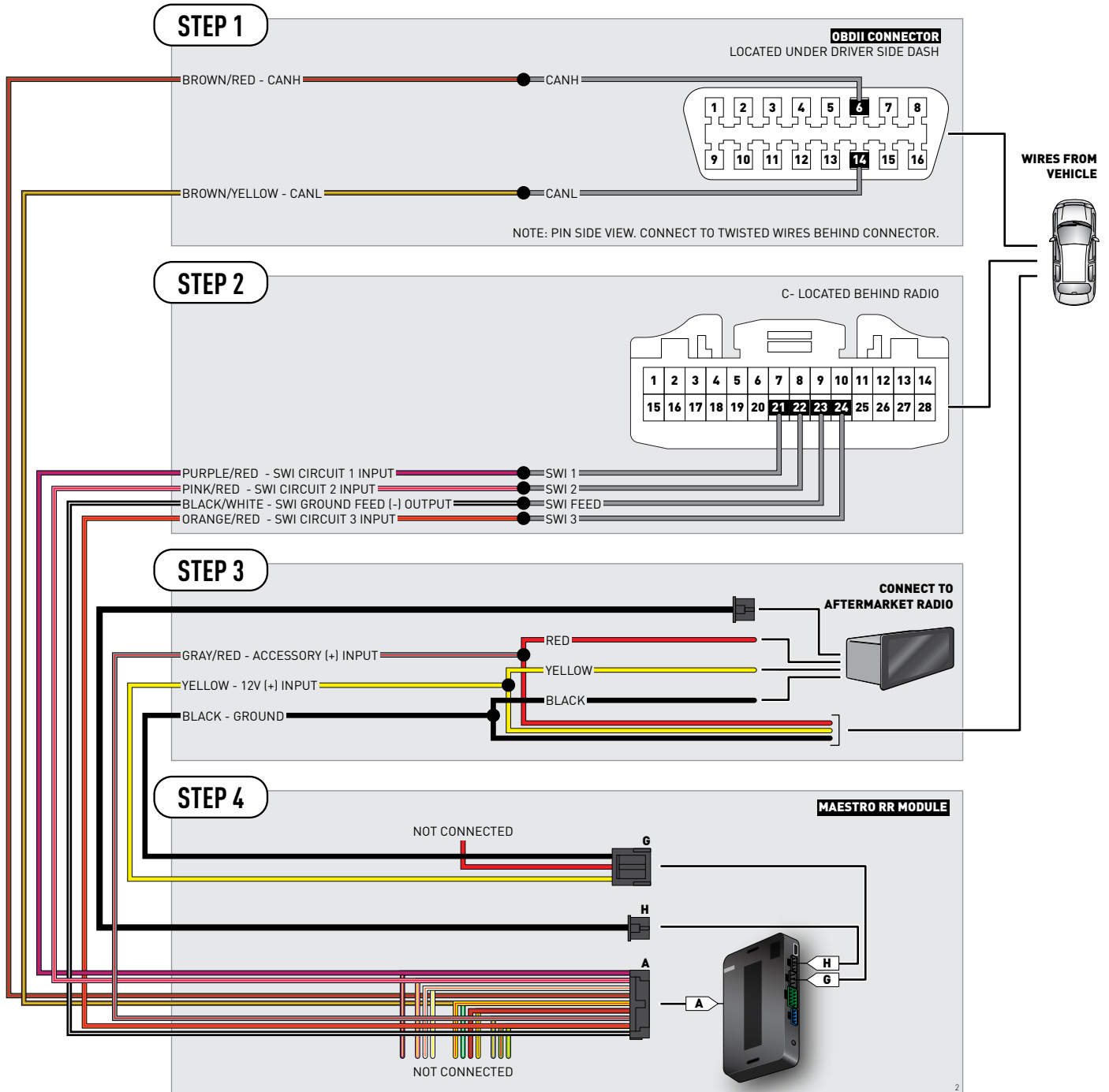
 support@idatalink.com

 maestro.idatalink.com/support
www.12voltdata.com/forum

TABLE OF CONTENTS

Wiring Diagram	3
Vehicle Wire Reference Chart	4

WIRING DIAGRAM



VEHICLE WIRE REFERENCE CHART

Wire Description	Connector Name	Connector Color	Connector Type	Position	Wire Color	Polarity	Wire Location
CanH	A	~	16 pin	06	Yellow	(DATA)	OBDII connector, under driver side dash
CanL	A	~	16 pin	14	White	(DATA)	OBDII connector, under driver side dash
SWI 1	B	~	28 pin	21	Gray	(DATA)	Behind radio
SWI 2	B	~	28 pin	22	LtGreen	(DATA)	Behind radio
SWI 3	B	~	28 pin	24	Blue	(DATA)	Behind radio
SWI Feed	B	~	28 pin	23	Red	(-)	Behind radio



INSTALL GUIDE TOYOTA YARIS 2006-2011

RETAINS STEERING WHEEL CONTROLS AND ADDS GAUGES



PRODUCTS REQUIRED

iDatalink Maestro RR Radio Replacement Interface
iDatalink Compatible Radio

OPTIONAL ACCESSORIES

None

PROGRAMMED FIRMWARE

ADS-RR(SI)-TOY01-DS

NOTICE: Automotive Data Solutions Inc. (ADS) recommends having this installation performed by a certified technician. Logos and trademarks used here in are the properties of their respective owners.

WELCOME

Congratulations on the purchase of your iDatalink Maestro RR Radio replacement solution. You are now a few simple steps away from enjoying your new car radio with enhanced features.

Before starting your installation, please ensure that your iDatalink Maestro module is programmed with the correct firmware for your vehicle and that you carefully review the install guide.

Please note that Maestro RR will only retain functionalities that were originally available in the vehicle.

NEED HELP?

 **1 866 427-2999**

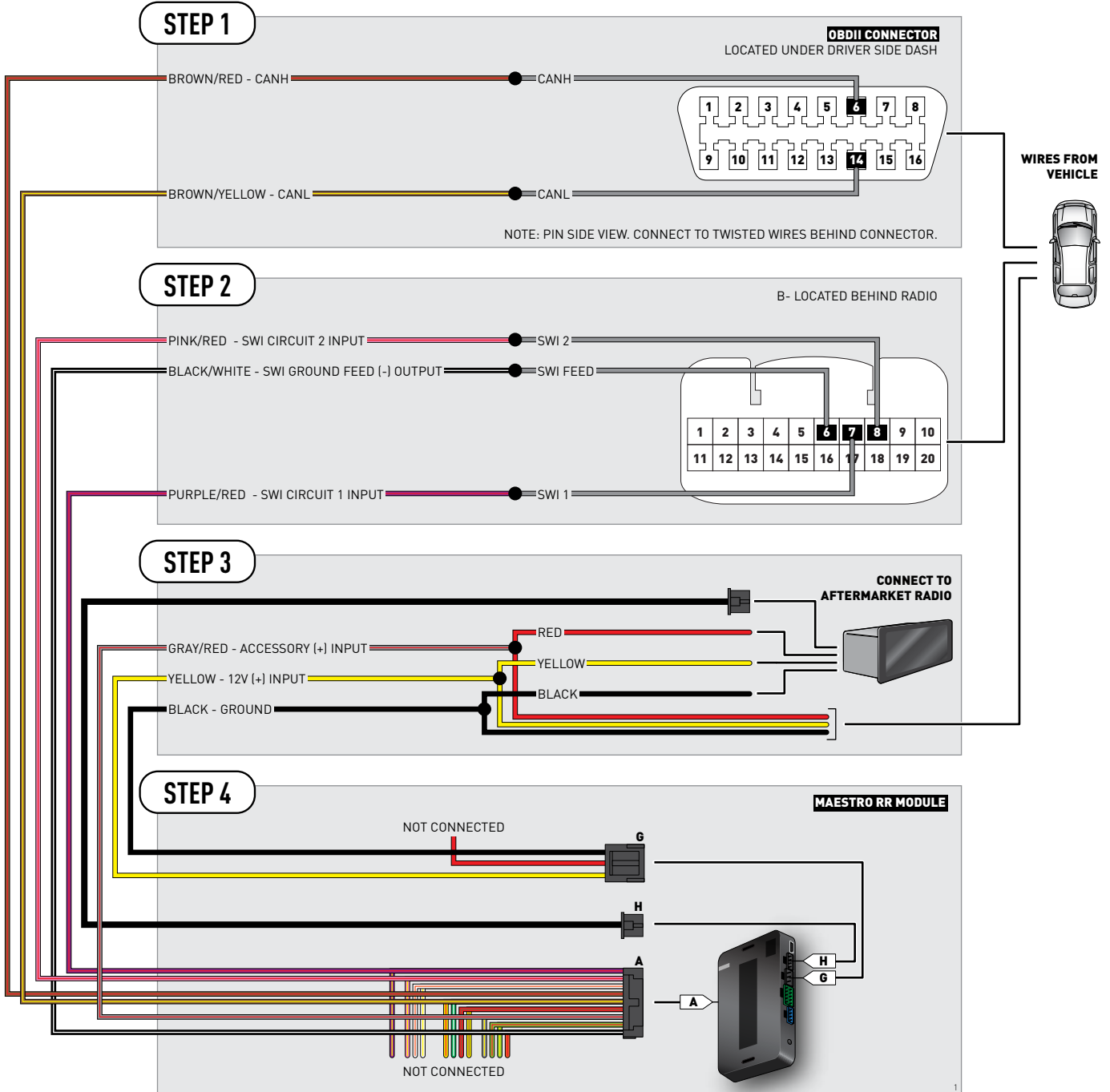
 **support@idatalink.com**

 **maestro.idatalink.com/support**
www.12voltdata.com/forum

TABLE OF CONTENTS

Wiring Diagram	3
Vehicle Wire Reference Chart	4

WIRING DIAGRAM



VEHICLE WIRE REFERENCE CHART

Wire Description	Connector Name	Connector Color	Connector Type	Position	Wire Color	Polarity	Wire Location
CanH	A	~	16 pin	06	Violet	[DATA]	OBDII connector, under driver side dash
CanL	A	~	16 pin	14	White	[DATA]	OBDII connector, under driver side dash
SWI 1	B	~	20 pin	07	N/A	[DATA]	Behind radio
SWI 2	B	~	20 pin	08	N/A	[DATA]	Behind radio
SWI Feed	B	~	20 pin	06	N/A	(-)	Behind radio



INSTALL GUIDE TOYOTA YARIS 2012-2015

RETAINS STEERING WHEEL CONTROLS AND ADDS GAUGES



PRODUCTS REQUIRED

iDatalink Maestro RR Radio Replacement Interface
iDatalink Compatible Radio

OPTIONAL ACCESSORIES

None

PROGRAMMED FIRMWARE

ADS-RR(SI)-TOY01-DS

NOTICE: Automotive Data Solutions Inc. (ADS) recommends having this installation performed by a certified technician. Logos and trademarks used here in are the properties of their respective owners.

WELCOME

Congratulations on the purchase of your iDatalink Maestro RR Radio replacement solution. You are now a few simple steps away from enjoying your new car radio with enhanced features.

Before starting your installation, please ensure that your iDatalink Maestro module is programmed with the correct firmware for your vehicle and that you carefully review the install guide.

Please note that Maestro RR will only retain functionalities that were originally available in the vehicle.

NEED HELP?

 **1 866 427-2999**

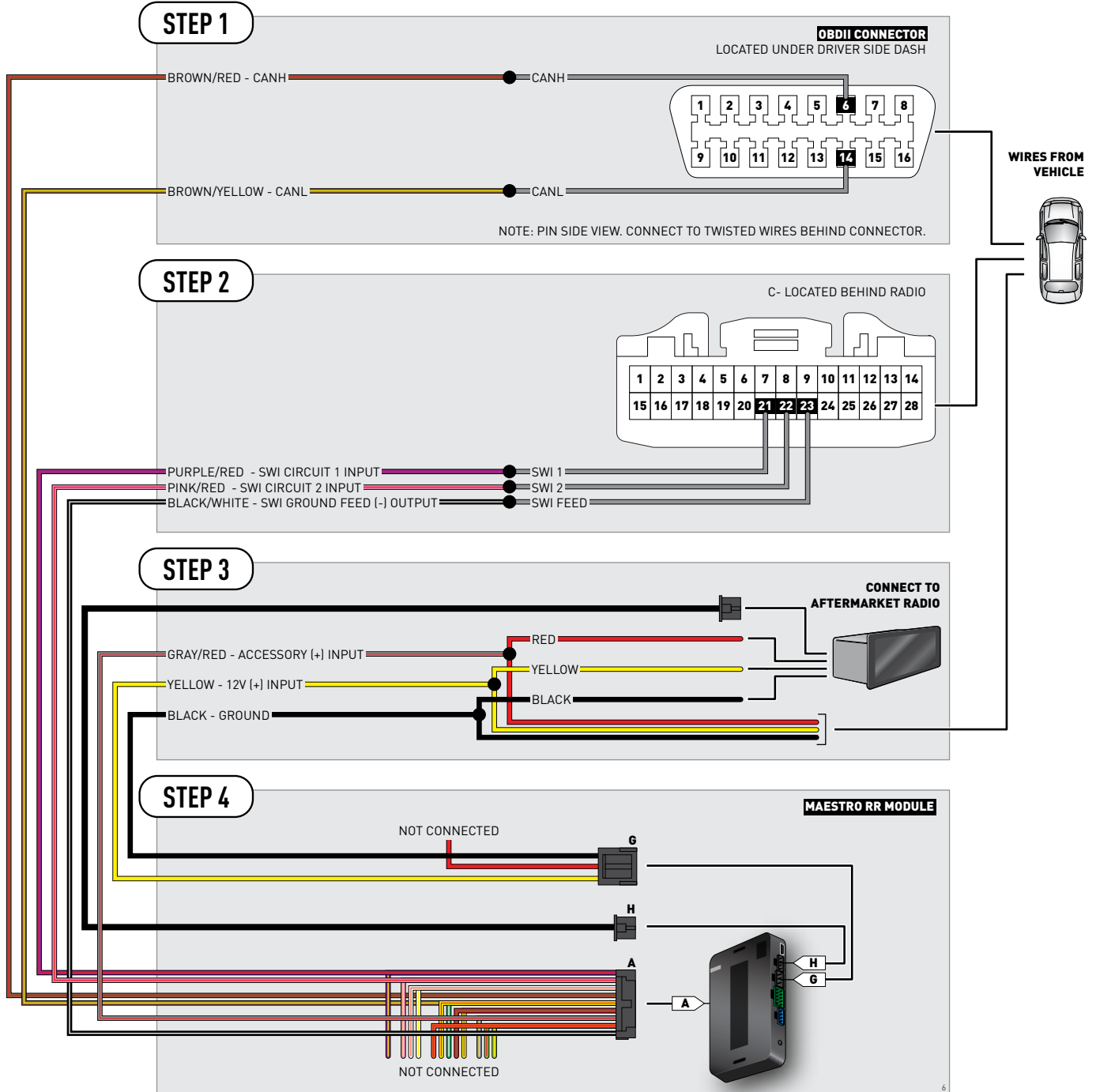
 support@idatalink.com

 maestro.idatalink.com/support
www.12voltdata.com/forum

TABLE OF CONTENTS

Wiring Diagram	3
Vehicle Wire Reference Chart	4

WIRING DIAGRAM



VEHICLE WIRE REFERENCE CHART

Wire Description	Connector Name	Connector Color	Connector Type	Position	Wire Color	Polarity	Wire Location
CanH	A	~	16 pin	06	Gray	(DATA)	OBDII connector, under driver side dash
CanL	A	~	16 pin	14	White	(DATA)	OBDII connector, under driver side dash
SWI 1	C	~	28 pin	21	Blue	(DATA)	Behind radio
SWI 2	C	~	28 pin	22	Pink	(DATA)	Behind radio
SWI Feed	C	~	28 pin	23	Red	(-)	Behind radio