



HOW TO USE THIS INSTALL GUIDE

- 1** Open the Bookmarks menu and find your vehicle OR scroll down until you find the install guide for your vehicle.
- 2** Print only the pages for your vehicle using the advanced options in the Print menu.
- 3** Install your Maestro RR according to the guide for your vehicle.

WARNING

Pressing the printer icon or “quick printing” this document will print all of the guides in this compilation.



INSTALL GUIDE TOYOTA AVALON 2006-2012

RETAINS STEERING WHEEL CONTROLS AND ADDS GAUGES



PRODUCTS REQUIRED

iDatalink Maestro RR Radio Replacement Interface
iDatalink Compatible Radio

OPTIONAL ACCESSORIES

None

PROGRAMMED FIRMWARE

ADS-RR(SI)-TOY01-DS

NOTICE: Automotive Data Solutions Inc. (ADS) recommends having this installation performed by a certified technician. Logos and trademarks used here in are the properties of their respective owners.

WELCOME

Congratulations on the purchase of your iDatalink Maestro RR Radio replacement solution. You are now a few simple steps away from enjoying your new car radio with enhanced features.

Before starting your installation, please ensure that your iDatalink Maestro module is programmed with the correct firmware for your vehicle and that you carefully review the install guide.

Please note that Maestro RR will only retain functionalities that were originally available in the vehicle.

NEED HELP?

 **1 866 427-2999**

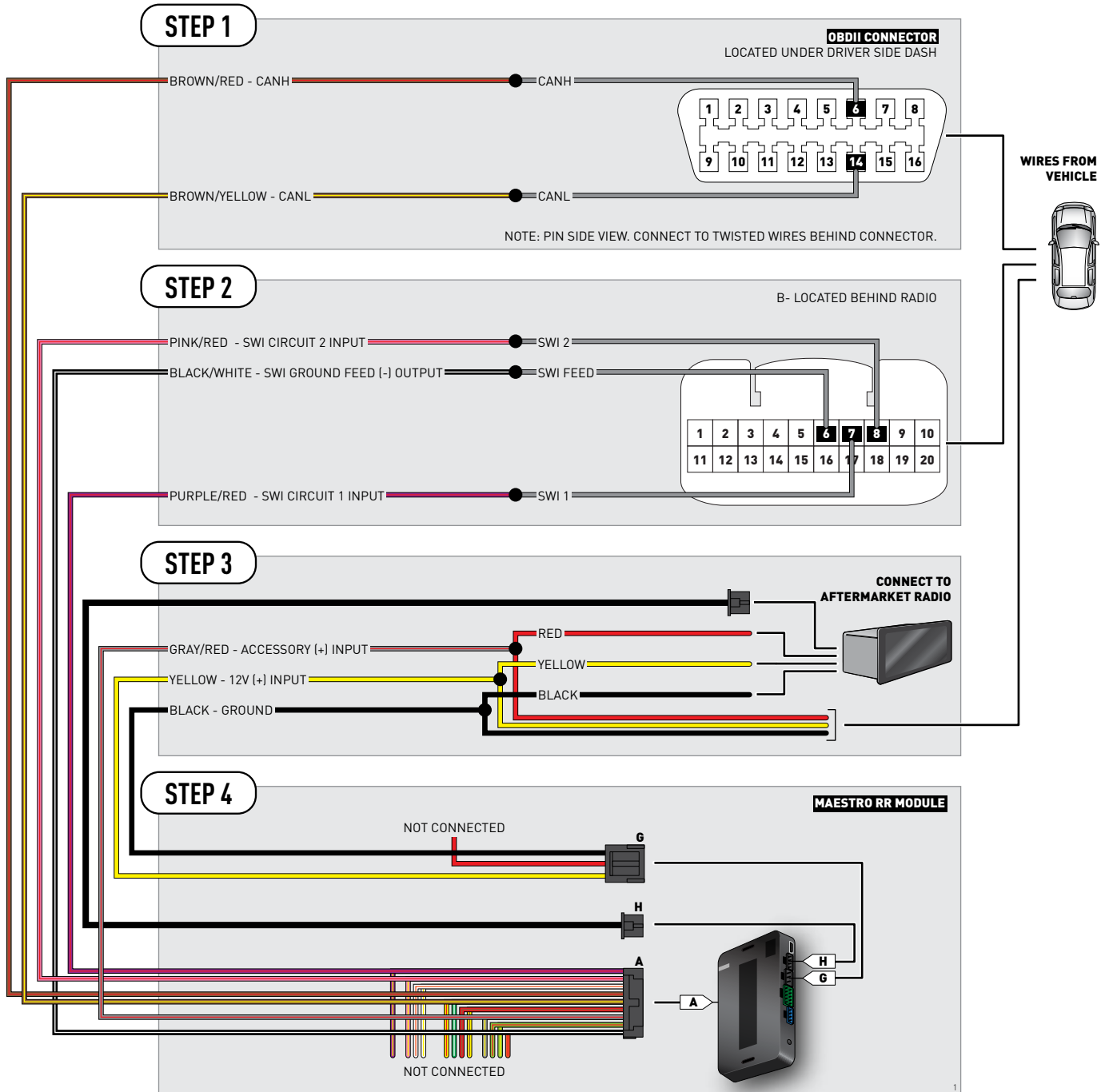
 support@idatalink.com

 maestro.idatalink.com/support
www.12voltdata.com/forum

TABLE OF CONTENTS

| | |
|------------------------------|----------|
| Wiring Diagram | 3 |
| Vehicle Wire Reference Chart | 4 |

WIRING DIAGRAM



VEHICLE WIRE REFERENCE CHART

| Wire Description | Connector Name | Connector Color | Connector Type | Position | Wire Color | Polarity | Wire Location |
|------------------|----------------|-----------------|----------------|----------|-----------------|----------|---|
| CanH | A | ~ | 16 pin | 06 | Pink | (DATA) | OBDII connector, under driver side dash |
| CanL | A | ~ | 16 pin | 14 | White or Orange | (DATA) | OBDII connector, under driver side dash |
| SWI 1 | B | ~ | 20 pin | 07 | Orange | (DATA) | Behind radio |
| SWI 2 | B | ~ | 20 pin | 08 | Violet | (DATA) | Behind radio |
| SWI Feed | B | ~ | 20 pin | 06 | Black | (-) | Behind radio |



INSTALL GUIDE TOYOTA AVALON 2013-2014

RETAINS STEERING WHEEL CONTROLS AND ADDS GAUGES



PRODUCTS REQUIRED

iDatalink Maestro RR Radio Replacement Interface
iDatalink Compatible Radio

OPTIONAL ACCESSORIES

None

PROGRAMMED FIRMWARE

ADS-RR(SI)-TOY01-DS

NOTICE: Automotive Data Solutions Inc. (ADS) recommends having this installation performed by a certified technician. Logos and trademarks used here in are the properties of their respective owners.

WELCOME

Congratulations on the purchase of your iDatalink Maestro RR Radio replacement solution. You are now a few simple steps away from enjoying your new car radio with enhanced features.

Before starting your installation, please ensure that your iDatalink Maestro module is programmed with the correct firmware for your vehicle and that you carefully review the install guide.

Please note that Maestro RR will only retain functionalities that were originally available in the vehicle.

NEED HELP?

 **1 866 427-2999**

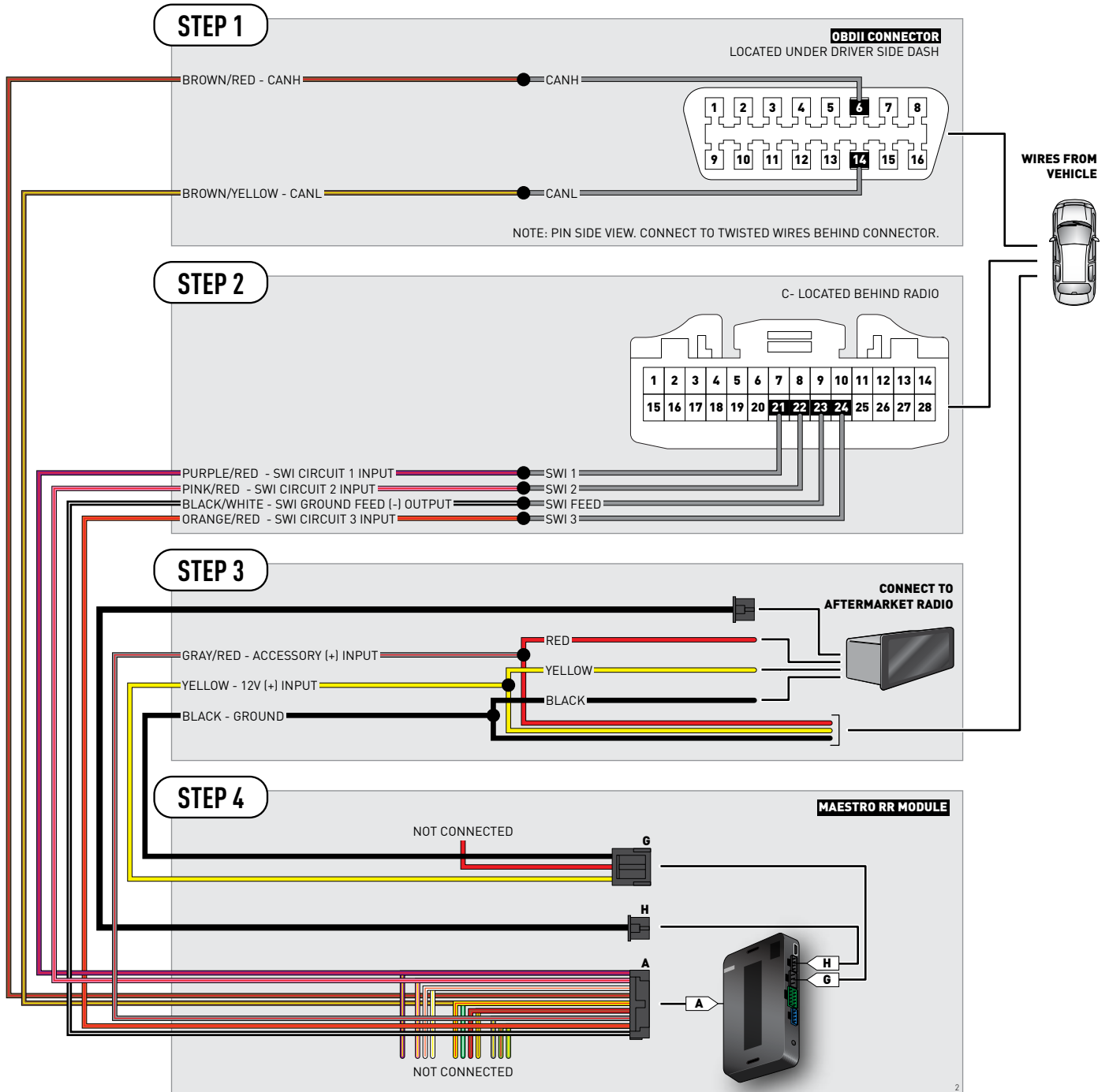
 support@idatalink.com

 maestro.idatalink.com/support
www.12voltdata.com/forum

TABLE OF CONTENTS

| | |
|------------------------------|----------|
| Wiring Diagram | 3 |
| Vehicle Wire Reference Chart | 4 |

WIRING DIAGRAM



VEHICLE WIRE REFERENCE CHART

| Wire Description | Connector Name | Connector Color | Connector Type | Position | Wire Color | Polarity | Wire Location |
|------------------|----------------|-----------------|----------------|----------|------------|----------|---|
| CanH | A | ~ | 16 pin | 06 | Blue | (DATA) | OBDII connector, under driver side dash |
| CanL | A | ~ | 16 pin | 14 | White | (DATA) | OBDII connector, under driver side dash |
| SWI 1 | B | ~ | 28 pin | 21 | Black | (DATA) | Behind radio |
| SWI 2 | B | ~ | 28 pin | 22 | Yellow | (DATA) | Behind radio |
| SWI 3 | B | ~ | 28 pin | 24 | Blue | (DATA) | Behind radio |
| SWI Feed | B | ~ | 28 pin | 23 | Pink | (-) | Behind radio |



INSTALL GUIDE TOYOTA LANDCRUISER BASE 2008-2015

RETAINS STEERING WHEEL CONTROLS AND ADDS GAUGES



PRODUCTS REQUIRED

iDatalink Maestro RR Radio Replacement Interface
iDatalink Compatible Radio

OPTIONAL ACCESSORIES

None

PROGRAMMED FIRMWARE

ADS-RR(SI)-TOY01-DS

NOTICE: Automotive Data Solutions Inc. (ADS) recommends having this installation performed by a certified technician. Logos and trademarks used here in are the properties of their respective owners.

WELCOME

Congratulations on the purchase of your iDatalink Maestro RR Radio replacement solution. You are now a few simple steps away from enjoying your new car radio with enhanced features.

Before starting your installation, please ensure that your iDatalink Maestro module is programmed with the correct firmware for your vehicle and that you carefully review the install guide.

Please note that Maestro RR will only retain functionalities that were originally available in the vehicle.

NEED HELP?

 **1 866 427-2999**

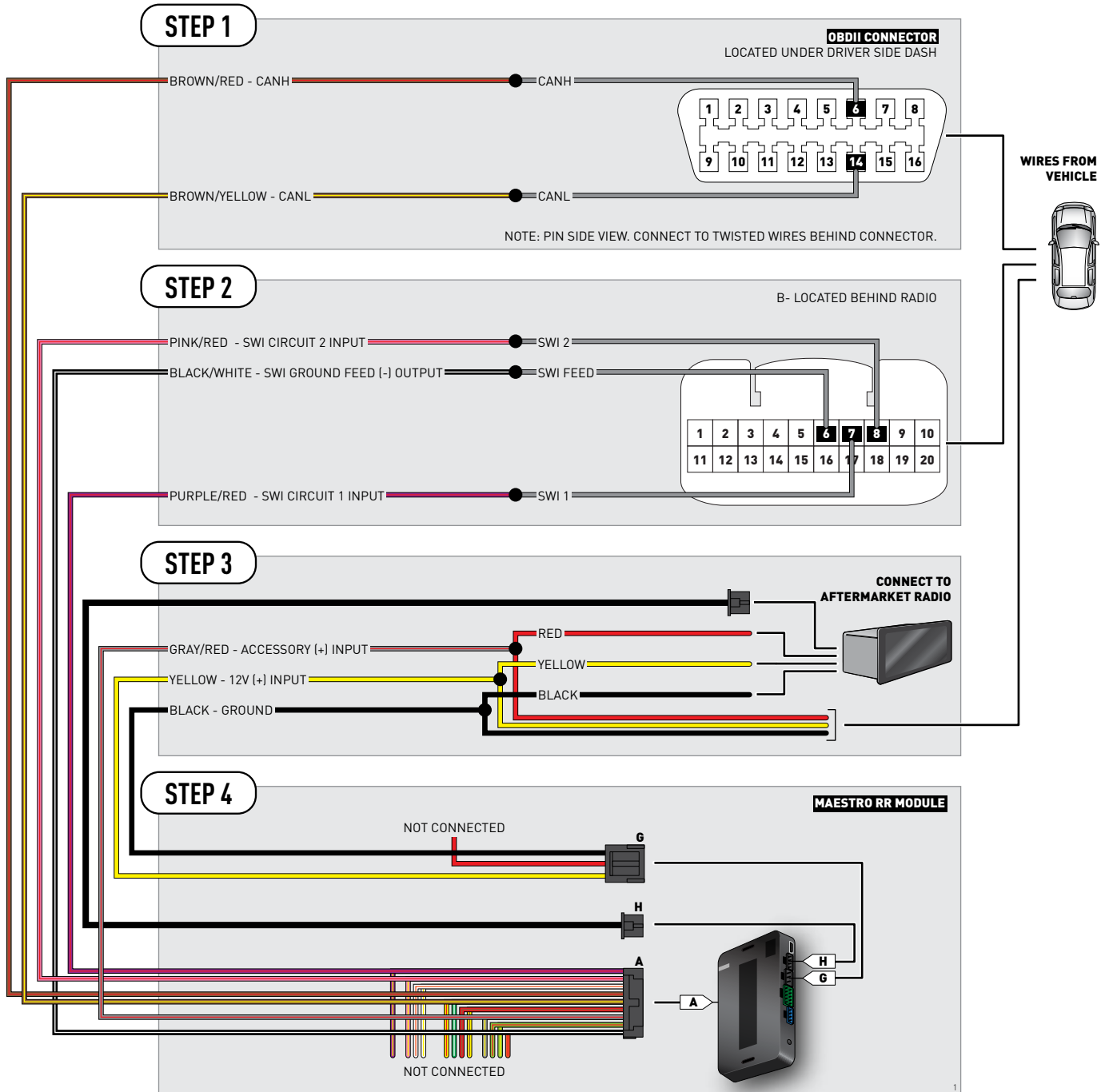
 support@idatalink.com

 maestro.idatalink.com/support
www.12voltdata.com/forum

TABLE OF CONTENTS

| | |
|------------------------------|----------|
| Wiring Diagram | 3 |
| Vehicle Wire Reference Chart | 4 |

WIRING DIAGRAM



VEHICLE WIRE REFERENCE CHART

| Wire Description | Connector Name | Connector Color | Connector Type | Position | Wire Color | Polarity | Wire Location |
|------------------|----------------|-----------------|----------------|----------|------------|----------|---|
| CanH | A | ~ | 16 pin | 06 | Green | [DATA] | OBDII connector, under driver side dash |
| CanL | A | ~ | 16 pin | 14 | Black | [DATA] | OBDII connector, under driver side dash |
| SWI 1 | B | ~ | 20 pin | 07 | Blue | [DATA] | Behind radio |
| SWI 2 | B | ~ | 20 pin | 08 | Pink | [DATA] | Behind radio |
| SWI Feed | B | ~ | 20 pin | 06 | White | (-) | Behind radio |



INSTALL GUIDE TOYOTA PRIUS 2010-2011

RETAINS STEERING WHEEL CONTROLS AND ADDS GAUGES



PRODUCTS REQUIRED

iDatalink Maestro RR Radio Replacement Interface
iDatalink Compatible Radio

OPTIONAL ACCESSORIES

None

PROGRAMMED FIRMWARE

ADS-RR(SI)-TOY01-DS

NOTICE: Automotive Data Solutions Inc. (ADS) recommends having this installation performed by a certified technician. Logos and trademarks used here in are the properties of their respective owners.

WELCOME

Congratulations on the purchase of your iDatalink Maestro RR Radio replacement solution. You are now a few simple steps away from enjoying your new car radio with enhanced features.

Before starting your installation, please ensure that your iDatalink Maestro module is programmed with the correct firmware for your vehicle and that you carefully review the install guide.

Please note that Maestro RR will only retain functionalities that were originally available in the vehicle.

NEED HELP?

 **1 866 427-2999**

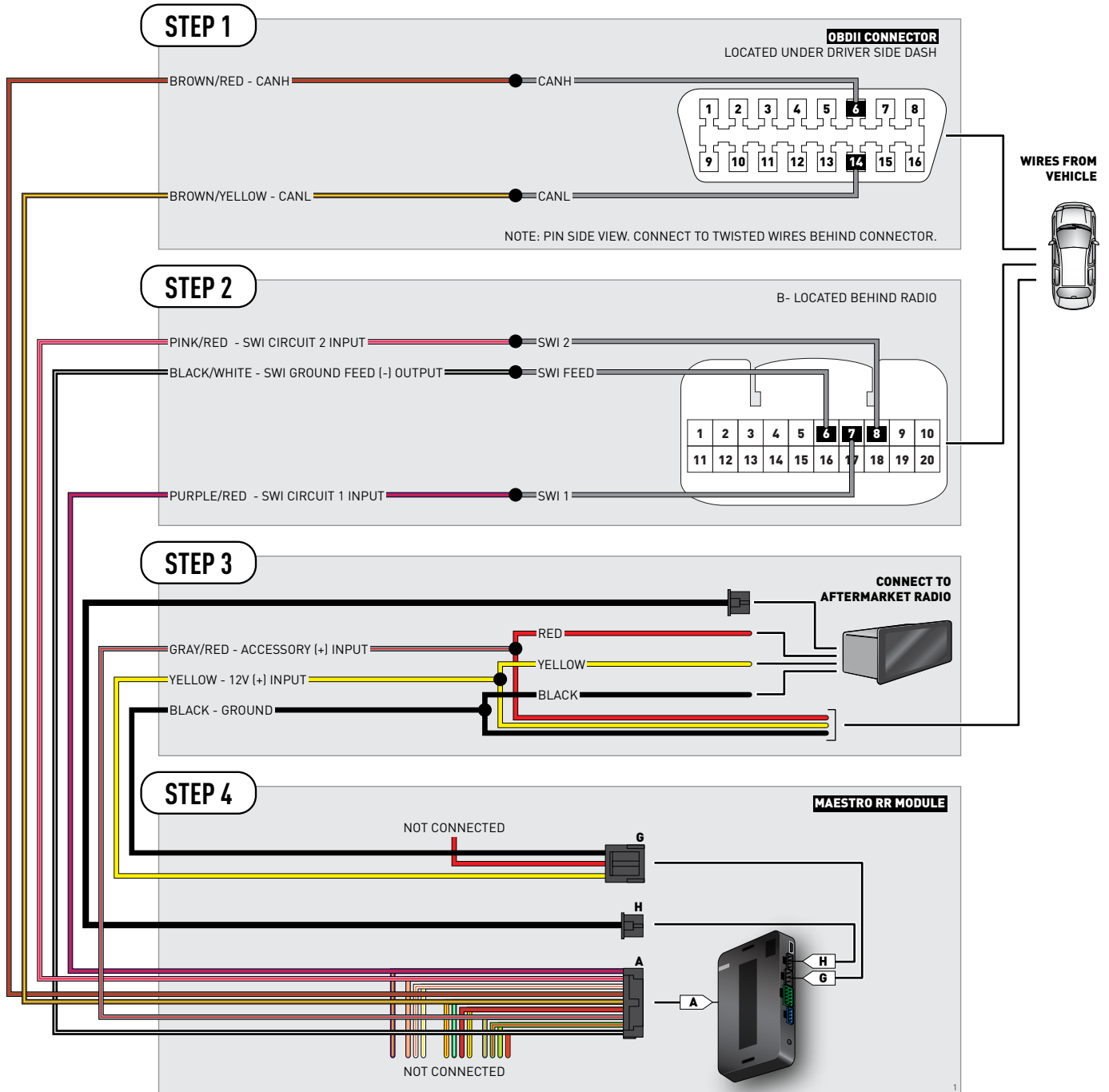
 support@idatalink.com

 maestro.idatalink.com/support
www.12voltdata.com/forum

TABLE OF CONTENTS

| | |
|------------------------------|----------|
| Wiring Diagram | 3 |
| Vehicle Wire Reference Chart | 4 |

WIRING DIAGRAM



VEHICLE WIRE REFERENCE CHART

| Wire Description | Connector Name | Connector Color | Connector Type | Position | Wire Color | Polarity | Wire Location |
|------------------|----------------|-----------------|----------------|----------|------------|----------|---|
| CanH | A | ~ | 16 pin | 06 | White | (DATA) | OBDII connector, under driver side dash |
| CanL | A | ~ | 16 pin | 14 | Yellow | (DATA) | OBDII connector, under driver side dash |
| SWI 1 | B | ~ | 20 pin | 07 | Red | (DATA) | Behind radio |
| SWI 2 | B | ~ | 20 pin | 08 | Green | (DATA) | Behind radio |
| SWI Feed | B | ~ | 20 pin | 06 | Pink | (-) | Behind radio |



INSTALL GUIDE TOYOTA PRIUS 2012-2016

RETAINS STEERING WHEEL CONTROLS AND ADDS GAUGES



PRODUCTS REQUIRED

iDatalink Maestro RR Radio Replacement Interface
iDatalink Compatible Radio

OPTIONAL ACCESSORIES

None

PROGRAMMED FIRMWARE

ADS-RR(SI)-TOY01-DS

NOTICE: Automotive Data Solutions Inc. (ADS) recommends having this installation performed by a certified technician. Logos and trademarks used here in are the properties of their respective owners.

WELCOME

Congratulations on the purchase of your iDatalink Maestro RR Radio replacement solution. You are now a few simple steps away from enjoying your new car radio with enhanced features.

Before starting your installation, please ensure that your iDatalink Maestro module is programmed with the correct firmware for your vehicle and that you carefully review the install guide.

Please note that Maestro RR will only retain functionalities that were originally available in the vehicle.

NEED HELP?

 **1 866 427-2999**

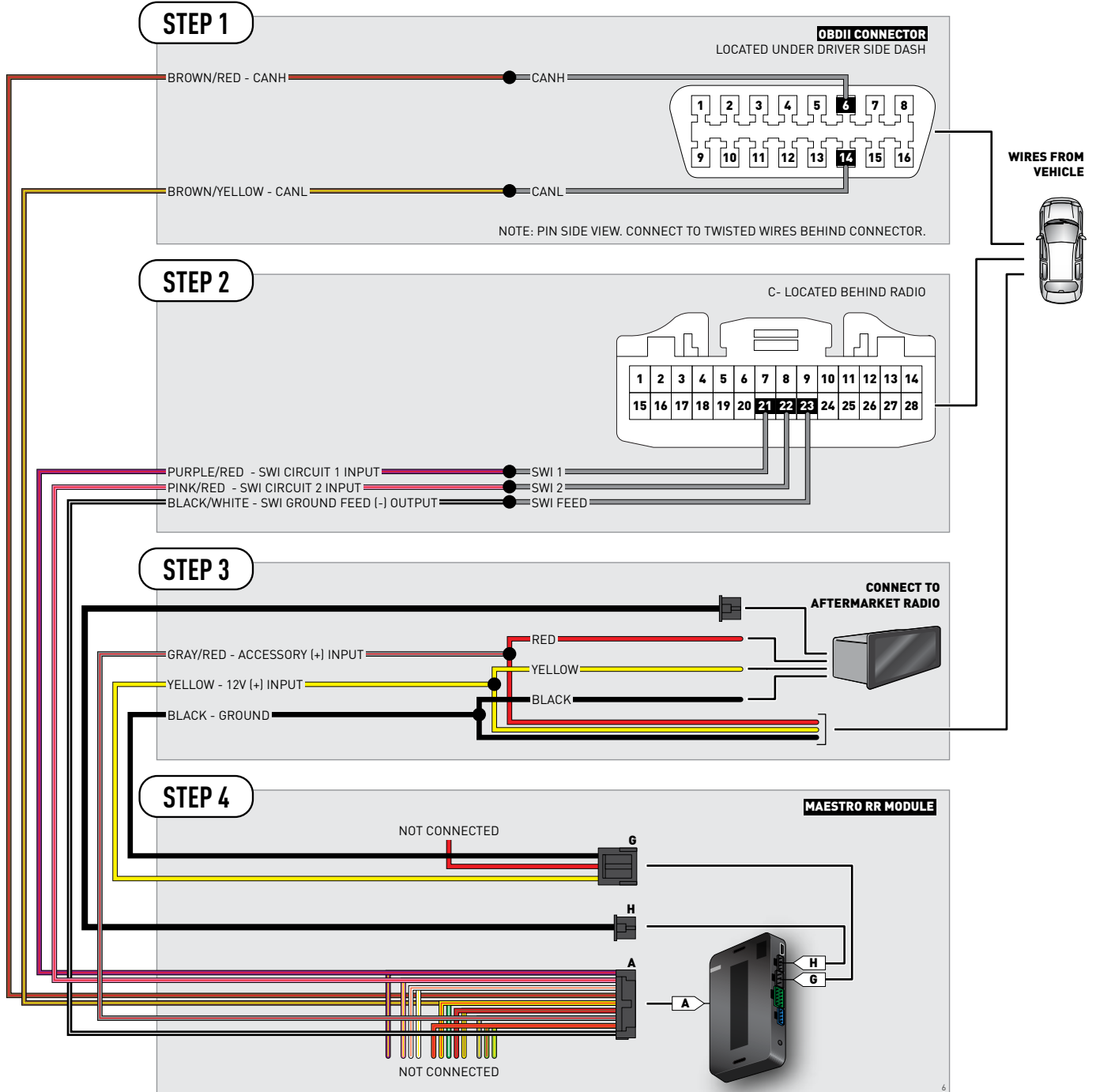
 support@idatalink.com

 maestro.idatalink.com/support
www.12voltdata.com/forum

TABLE OF CONTENTS

| | |
|------------------------------|----------|
| Wiring Diagram | 3 |
| Vehicle Wire Reference Chart | 4 |

WIRING DIAGRAM



VEHICLE WIRE REFERENCE CHART

| Wire Description | Connector Name | Connector Color | Connector Type | Position | Wire Color | Polarity | Wire Location |
|------------------|----------------|-----------------|----------------|----------|------------|----------|---|
| CanH | A | ~ | 16 pin | 06 | White | (DATA) | OBDII connector, under driver side dash |
| CanL | A | ~ | 16 pin | 14 | Yellow | (DATA) | OBDII connector, under driver side dash |
| SWI 1 | B | ~ | 28 pin | 21 | Red | (DATA) | Behind radio |
| SWI 2 | B | ~ | 28 pin | 22 | Green | (DATA) | Behind radio |
| SWI Feed | B | ~ | 28 pin | 23 | Pink | (-) | Behind radio |



INSTALL GUIDE TOYOTA PRIUS C 2012-2016

RETAINS STEERING WHEEL CONTROLS AND ADDS GAUGES



PRODUCTS REQUIRED

iDatalink Maestro RR Radio Replacement Interface
iDatalink Compatible Radio

OPTIONAL ACCESSORIES

None

PROGRAMMED FIRMWARE

ADS-RR(SI)-TOY01-DS

NOTICE: Automotive Data Solutions Inc. (ADS) recommends having this installation performed by a certified technician. Logos and trademarks used here in are the properties of their respective owners.

WELCOME

Congratulations on the purchase of your iDatalink Maestro RR Radio replacement solution. You are now a few simple steps away from enjoying your new car radio with enhanced features.

Before starting your installation, please ensure that your iDatalink Maestro module is programmed with the correct firmware for your vehicle and that you carefully review the install guide.

Please note that Maestro RR will only retain functionalities that were originally available in the vehicle.

NEED HELP?

 **1 866 427-2999**

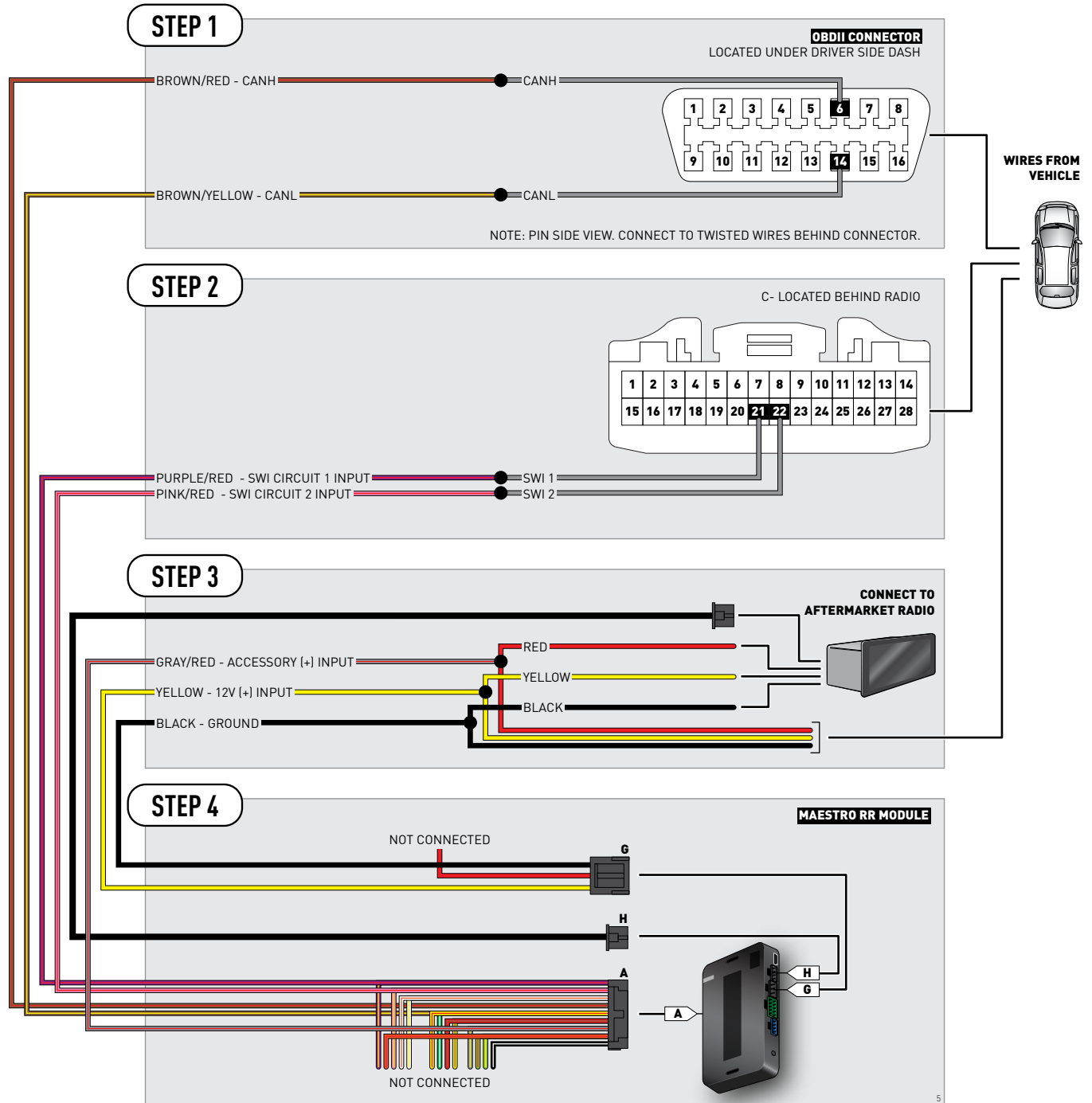
 **support@idatalink.com**

 **maestro.idatalink.com/support
www.12voltdata.com/forum**

TABLE OF CONTENTS

| | |
|------------------------------|----------|
| Wiring Diagram | 3 |
| Vehicle Wire Reference Chart | 4 |

WIRING DIAGRAM



VEHICLE WIRE REFERENCE CHART

| Wire Description | Connector Name | Connector Color | Connector Type | Position | Wire Color | Polarity | Wire Location |
|------------------|----------------|-----------------|----------------|----------|------------|----------|---|
| CanH | A | ~ | 16 pin | 06 | Gray | (DATA) | OBDII connector, under driver side dash |
| CanL | A | ~ | 16 pin | 14 | White | (DATA) | OBDII connector, under driver side dash |
| SWI 1 | B | ~ | 28 pin | 21 | Blue | (DATA) | Behind radio |
| SWI 2 | B | ~ | 28 pin | 22 | Pink | (DATA) | Behind radio |



INSTALL GUIDE TOYOTA PRIUS V 2012-2014

RETAINS STEERING WHEEL CONTROLS AND ADDS GAUGES



PRODUCTS REQUIRED

iDatalink Maestro RR Radio Replacement Interface
iDatalink Compatible Radio

OPTIONAL ACCESSORIES

None

PROGRAMMED FIRMWARE

ADS-RR(SI)-TOY01-DS

NOTICE: Automotive Data Solutions Inc. (ADS) recommends having this installation performed by a certified technician. Logos and trademarks used here in are the properties of their respective owners.

WELCOME

Congratulations on the purchase of your iDatalink Maestro RR Radio replacement solution. You are now a few simple steps away from enjoying your new car radio with enhanced features.

Before starting your installation, please ensure that your iDatalink Maestro module is programmed with the correct firmware for your vehicle and that you carefully review the install guide.

Please note that Maestro RR will only retain functionalities that were originally available in the vehicle.

NEED HELP?

 **1 866 427-2999**

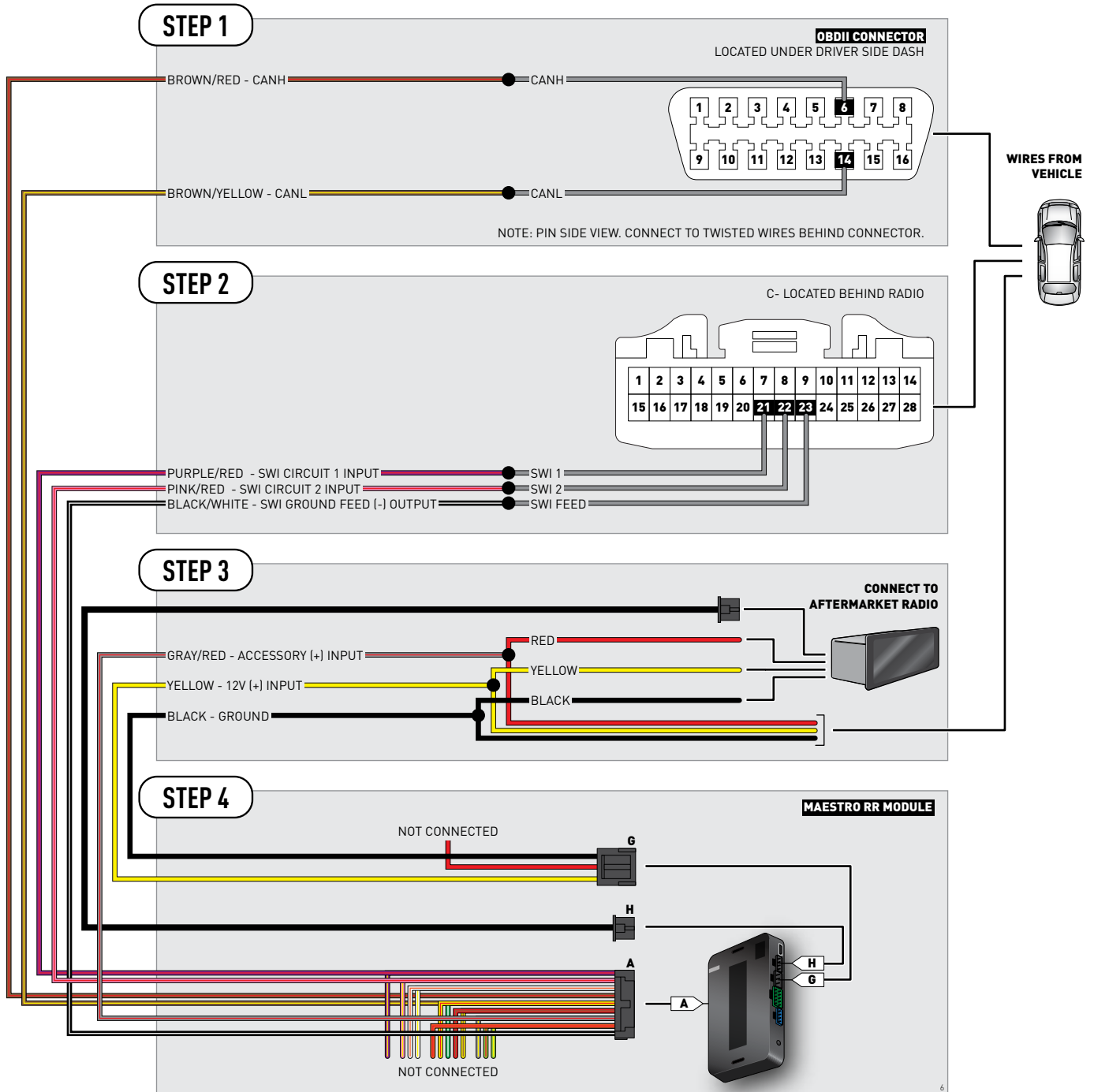
 support@idatalink.com

 maestro.idatalink.com/support
www.12voltdata.com/forum

TABLE OF CONTENTS

| | |
|------------------------------|----------|
| Wiring Diagram | 3 |
| Vehicle Wire Reference Chart | 4 |

WIRING DIAGRAM



VEHICLE WIRE REFERENCE CHART

| Wire Description | Connector Name | Connector Color | Connector Type | Position | Wire Color | Polarity | Wire Location |
|------------------|----------------|-----------------|----------------|----------|------------|----------|---|
| CanH | A | ~ | 16 pin | 06 | Black | (DATA) | OBDII connector, under driver side dash |
| CanL | A | ~ | 16 pin | 14 | White | (DATA) | OBDII connector, under driver side dash |
| SWI 1 | B | ~ | 28 pin | 21 | Violet | (DATA) | Behind radio |
| SWI 2 | B | ~ | 28 pin | 22 | LtBlue | (DATA) | Behind radio |
| SWI Feed | B | ~ | 28 pin | 23 | Pink | (-) | Behind radio |



INSTALL GUIDE TOYOTA PRIUS V 2015-2016

RETAINS STEERING WHEEL CONTROLS AND ADDS GAUGES



PRODUCTS REQUIRED

iDatalink Maestro RR Radio Replacement Interface
iDatalink Compatible Radio

OPTIONAL ACCESSORIES

None

PROGRAMMED FIRMWARE

ADS-RR(SI)-TOY01-DS

NOTICE: Automotive Data Solutions Inc. (ADS) recommends having this installation performed by a certified technician. Logos and trademarks used here in are the properties of their respective owners.

WELCOME

Congratulations on the purchase of your iDatalink Maestro RR Radio replacement solution. You are now a few simple steps away from enjoying your new car radio with enhanced features.

Before starting your installation, please ensure that your iDatalink Maestro module is programmed with the correct firmware for your vehicle and that you carefully review the install guide.

Please note that Maestro RR will only retain functionalities that were originally available in the vehicle.

NEED HELP?

 **1 866 427-2999**

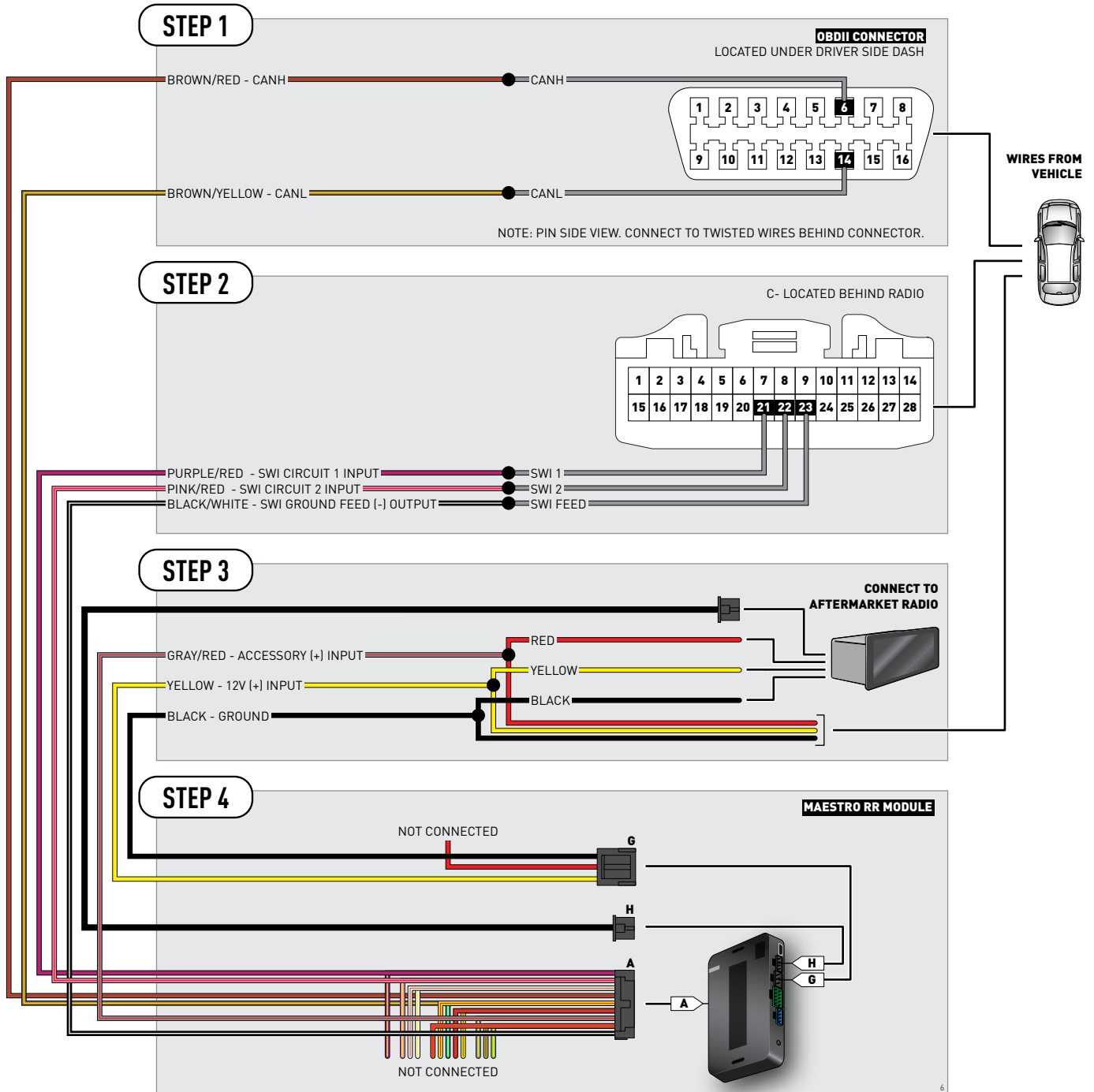
 support@idatalink.com

 maestro.idatalink.com/support
www.12voltdata.com/forum

TABLE OF CONTENTS

| | |
|------------------------------|----------|
| Wiring Diagram | 3 |
| Vehicle Wire Reference Chart | 4 |

WIRING DIAGRAM



VEHICLE WIRE REFERENCE CHART

| Wire Description | Connector Name | Connector Color | Connector Type | Position | Wire Color | Polarity | Wire Location |
|------------------|----------------|-----------------|----------------|----------|-------------|----------|---|
| CanH | A | ~ | 16 pin | 06 | Black | (DATA) | OBDII connector, under driver side dash |
| CanL | A | ~ | 16 pin | 14 | White | (DATA) | OBDII connector, under driver side dash |
| SWI 1 | B | ~ | 28 pin | 21 | Pink | (DATA) | Behind radio |
| SWI 2 | B | ~ | 28 pin | 22 | LtBlue | (DATA) | Behind radio |
| SWI Feed | B | ~ | 28 pin | 23 | White/Black | (-) | Behind radio |