



HOW TO USE THIS INSTALL GUIDE

- 1** Open the Bookmarks menu and find your vehicle OR scroll down until you find the install guide for your vehicle.
- 2** Print only the pages for your vehicle using the advanced options in the Print menu.
- 3** Install your Maestro RR according to the guide for your vehicle.

WARNING

Pressing the printer icon or “quick printing” this document will print all of the guides in this compilation.



INSTALL GUIDE TOYOTA 4 RUNNER 2014-2015

RETAINS STEERING WHEEL CONTROLS



PRODUCTS REQUIRED

iDatalink Maestro RR Radio Replacement Interface
iDatalink Compatible Radio

OPTIONAL ACCESSORIES

None

PROGRAMMED FIRMWARE

ADS-RR(SI)-TOY01-AS

NOTICE: Automotive Data Solutions Inc. (ADS) recommends having this installation performed by a certified technician. Logos and trademarks used here in are the properties of their respective owners.

WELCOME

Congratulations on the purchase of your iDatalink Maestro RR Radio replacement solution. You are now a few simple steps away from enjoying your new car radio with enhanced features.

Before starting your installation, please ensure that your iDatalink Maestro module is programmed with the correct firmware for your vehicle and that you carefully review the install guide.

Please note that Maestro RR will only retain functionalities that were originally available in the vehicle.

NEED HELP?

 **1 866 427-2999**

 support@idatalink.com

 maestro.idatalink.com/support
www.12voltdata.com/forum

TABLE OF CONTENTS

Wiring Diagram	3
Vehicle Wire Reference Chart	4

VEHICLE WIRE REFERENCE CHART

Wire Description	Connector Name	Connector Color	Connector Type	Position	Wire Color	Polarity	Wire Location
SWI 1	~	~	28 pin	21	White	(DATA)	Behind radio
SWI 2	~	~	28 pin	22	Red	(DATA)	Behind radio
SWI 3	~	~	28 pin	24	Pink	(DATA)	Behind radio
SWI Feed	~	~	28 pin	23	Blue	(-)	Behind radio



INSTALL GUIDE TOYOTA AVALON 2013-2014

RETAINS STEERING WHEEL CONTROLS



PRODUCTS REQUIRED

iDatalink Maestro RR Radio Replacement Interface
iDatalink Compatible Radio

OPTIONAL ACCESSORIES

None

PROGRAMMED FIRMWARE

ADS-RR(SI)-TOY01-AS

NOTICE: Automotive Data Solutions Inc. (ADS) recommends having this installation performed by a certified technician. Logos and trademarks used here in are the properties of their respective owners.

WELCOME

Congratulations on the purchase of your iDatalink Maestro RR Radio replacement solution. You are now a few simple steps away from enjoying your new car radio with enhanced features.

Before starting your installation, please ensure that your iDatalink Maestro module is programmed with the correct firmware for your vehicle and that you carefully review the install guide.

Please note that Maestro RR will only retain functionalities that were originally available in the vehicle.

NEED HELP?

 **1 866 427-2999**

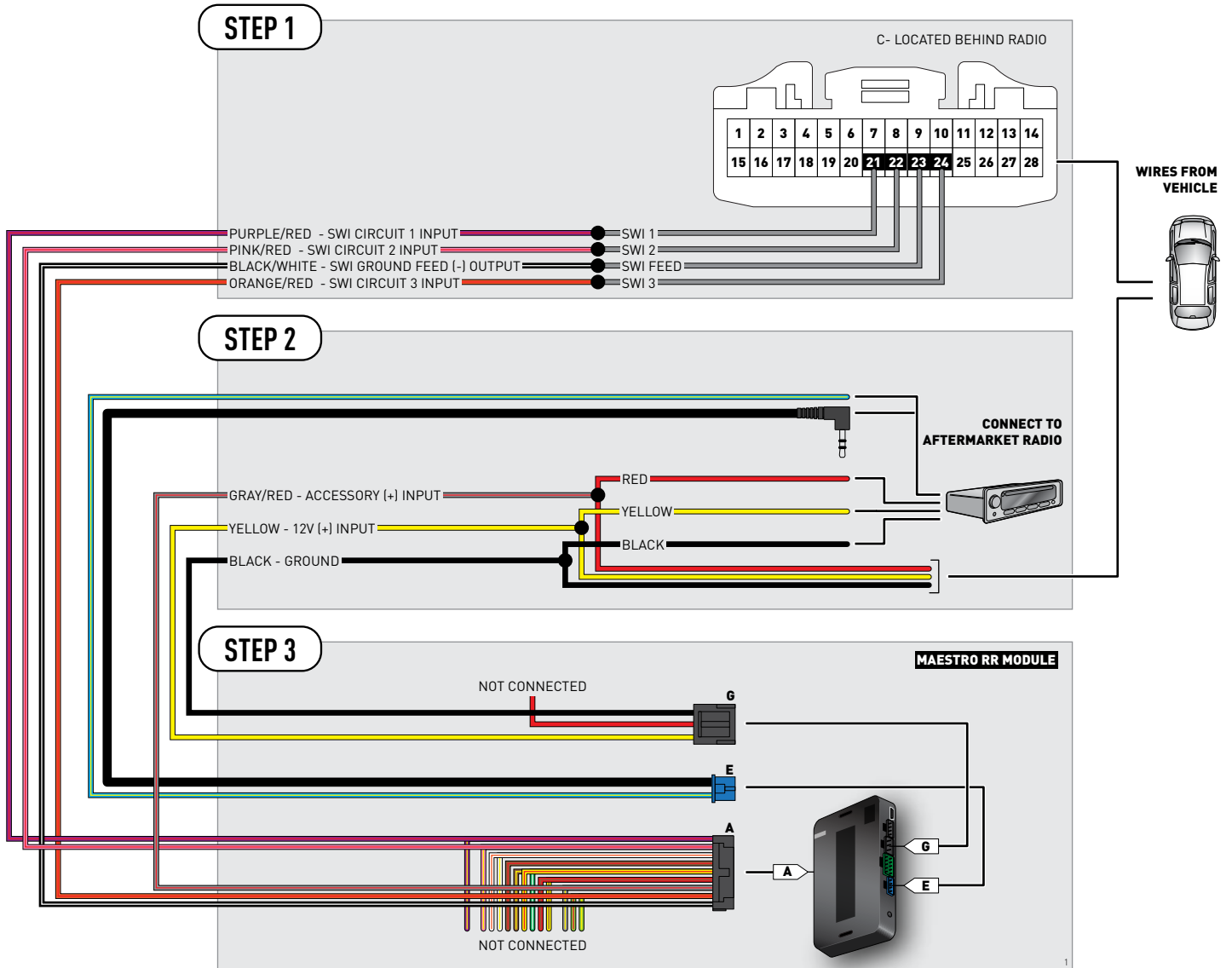
 support@idatalink.com

 maestro.idatalink.com/support
www.12voltdata.com/forum

TABLE OF CONTENTS

Wiring Diagram	3
Vehicle Wire Reference Chart	4

WIRING DIAGRAM



VEHICLE WIRE REFERENCE CHART

Wire Description	Connector Name	Connector Color	Connector Type	Position	Wire Color	Polarity	Wire Location
SWI 1	~	~	28 pin	21	black	(DATA)	Behind radio
SWI 2	~	~	28 pin	22	Yellow	(DATA)	Behind radio
SWI 3	~	~	28 pin	24	Blue	(DATA)	Behind radio
SWI Feed	~	~	28 pin	23	Pink	(-)	Behind radio



INSTALL GUIDE TOYOTA CAMRY 2012-2015

RETAINS STEERING WHEEL CONTROLS



PRODUCTS REQUIRED

iDatalink Maestro RR Radio Replacement Interface
iDatalink Compatible Radio

OPTIONAL ACCESSORIES

None

PROGRAMMED FIRMWARE

ADS-RR(SI)-TOY01-AS

NOTICE: Automotive Data Solutions Inc. (ADS) recommends having this installation performed by a certified technician. Logos and trademarks used here in are the properties of their respective owners.

WELCOME

Congratulations on the purchase of your iDatalink Maestro RR Radio replacement solution. You are now a few simple steps away from enjoying your new car radio with enhanced features.

Before starting your installation, please ensure that your iDatalink Maestro module is programmed with the correct firmware for your vehicle and that you carefully review the install guide.

Please note that Maestro RR will only retain functionalities that were originally available in the vehicle.

NEED HELP?

 **1 866 427-2999**

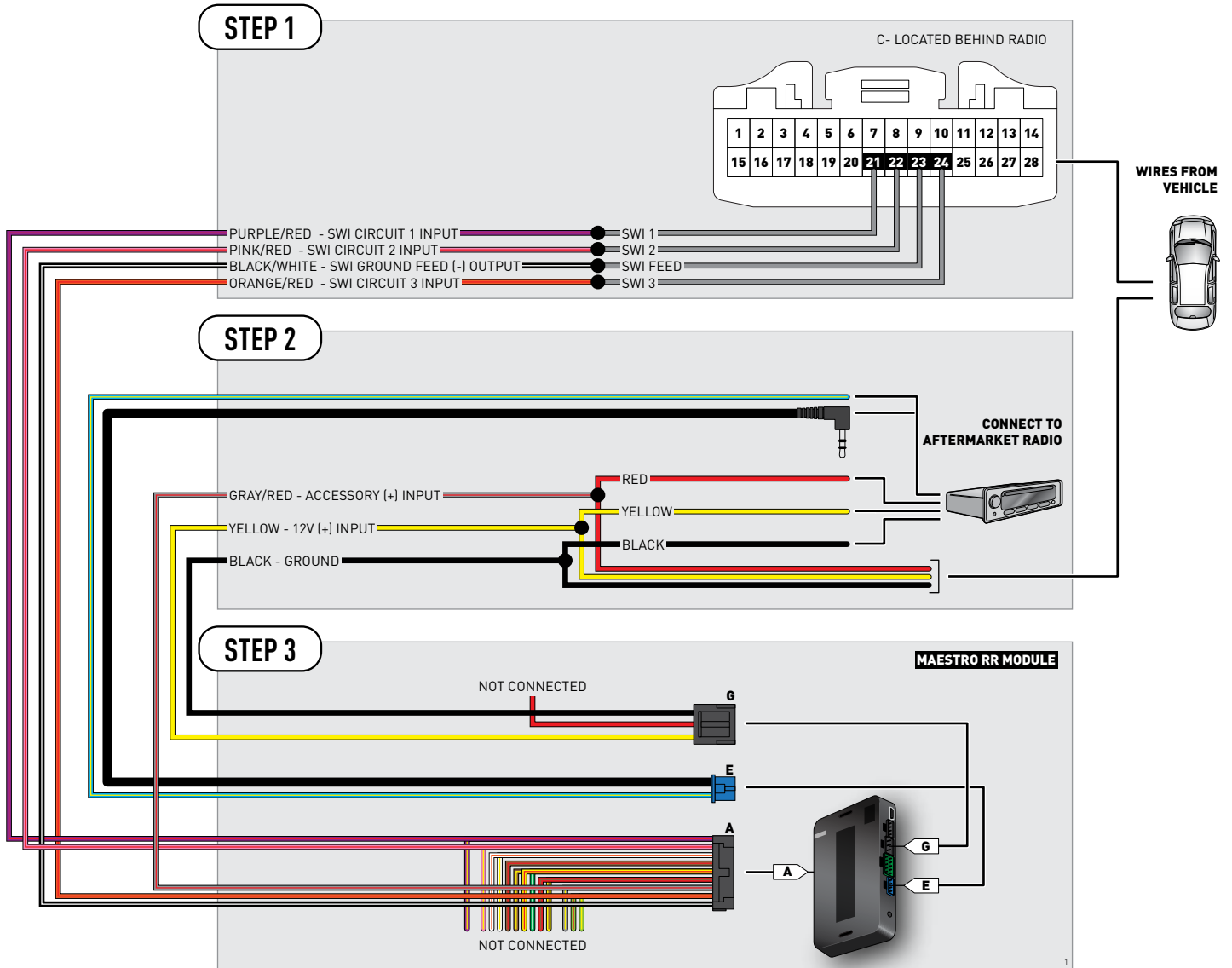
 support@idatalink.com

 maestro.idatalink.com/support
www.12voltdata.com/forum

TABLE OF CONTENTS

Wiring Diagram	3
Vehicle Wire Reference Chart	4

WIRING DIAGRAM



VEHICLE WIRE REFERENCE CHART

Wire Description	Connector Name	Connector Color	Connector Type	Position	Wire Color	Polarity	Wire Location
SWI 1	~	~	28 pin	21	black	(DATA)	Behind radio
SWI 2	~	~	28 pin	22	Yellow	(DATA)	Behind radio
SWI 3	~	~	28 pin	24	Blue	(DATA)	Behind radio
SWI Feed	~	~	28 pin	23	Pink	(-)	Behind radio



INSTALL GUIDE TOYOTA COROLLA 2014-2015

RETAINS STEERING WHEEL CONTROLS



PRODUCTS REQUIRED

iDatalink Maestro RR Radio Replacement Interface
iDatalink Compatible Radio

OPTIONAL ACCESSORIES

None

PROGRAMMED FIRMWARE

ADS-RR(SI)-TOY01-AS

NOTICE: Automotive Data Solutions Inc. (ADS) recommends having this installation performed by a certified technician. Logos and trademarks used here in are the properties of their respective owners.

WELCOME

Congratulations on the purchase of your iDatalink Maestro RR Radio replacement solution. You are now a few simple steps away from enjoying your new car radio with enhanced features.

Before starting your installation, please ensure that your iDatalink Maestro module is programmed with the correct firmware for your vehicle and that you carefully review the install guide.

Please note that Maestro RR will only retain functionalities that were originally available in the vehicle.

NEED HELP?

 **1 866 427-2999**

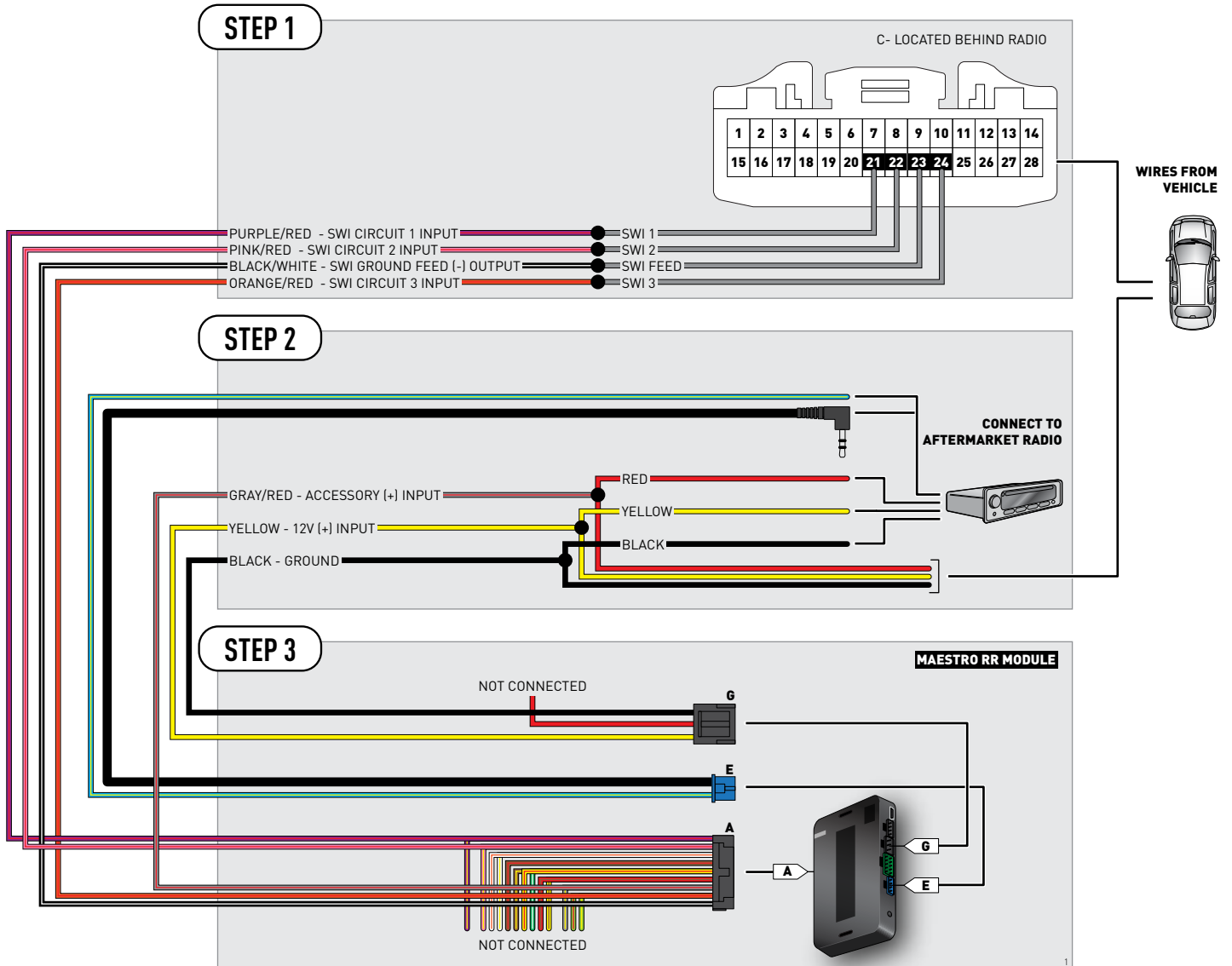
 support@idatalink.com

 maestro.idatalink.com/support
www.12voltdata.com/forum

TABLE OF CONTENTS

Wiring Diagram	3
Vehicle Wire Reference Chart	4

WIRING DIAGRAM



VEHICLE WIRE REFERENCE CHART

Wire Description	Connector Name	Connector Color	Connector Type	Position	Wire Color	Polarity	Wire Location
SWI 1	~	~	28 pin	21	LtBlue	(DATA)	Behind radio
SWI 2	~	~	28 pin	22	Red	(DATA)	Behind radio
SWI 3	~	~	28 pin	24	DkBlue	(DATA)	Behind radio
SWI Feed	~	~	28 pin	23	Black	(-)	Behind radio



INSTALL GUIDE TOYOTA HIGHLANDER 2014-2015

RETAINS STEERING WHEEL CONTROLS



PRODUCTS REQUIRED

iDatalink Maestro RR Radio Replacement Interface
iDatalink Compatible Radio

OPTIONAL ACCESSORIES

None

PROGRAMMED FIRMWARE

ADS-RR(SI)-TOY01-AS

NOTICE: Automotive Data Solutions Inc. (ADS) recommends having this installation performed by a certified technician. Logos and trademarks used here in are the properties of their respective owners.


WELCOME

Congratulations on the purchase of your iDatalink Maestro RR Radio replacement solution. You are now a few simple steps away from enjoying your new car radio with enhanced features.

Before starting your installation, please ensure that your iDatalink Maestro module is programmed with the correct firmware for your vehicle and that you carefully review the install guide.

Please note that Maestro RR will only retain functionalities that were originally available in the vehicle.

NEED HELP?

 **1 866 427-2999**

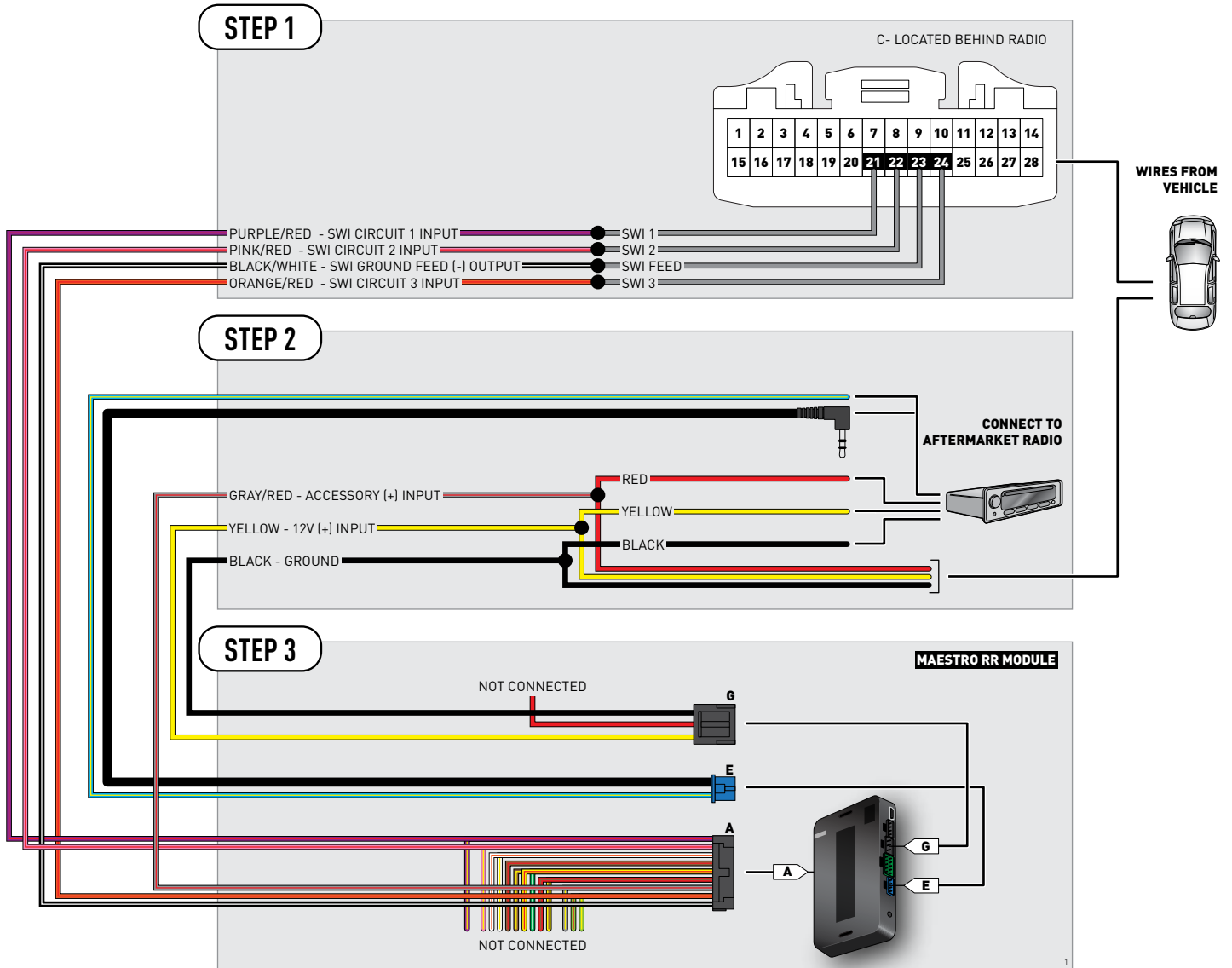
 support@idatalink.com

 maestro.idatalink.com/support
www.12voltdata.com/forum

TABLE OF CONTENTS

Wiring Diagram	3
Vehicle Wire Reference Chart	4

WIRING DIAGRAM



VEHICLE WIRE REFERENCE CHART

Wire Description	Connector Name	Connector Color	Connector Type	Position	Wire Color	Polarity	Wire Location
SWI 1	~	~	28 pin	21	Pink	(DATA)	Behind radio
SWI 2	~	~	28 pin	22	Blue	(DATA)	Behind radio
SWI 3	~	~	28 pin	24	Green	(DATA)	Behind radio
SWI Feed	~	~	28 pin	23	Red	(-)	Behind radio



INSTALL GUIDE TOYOTA RAV 4 2014-2015

RETAINS STEERING WHEEL CONTROLS



PRODUCTS REQUIRED

iDatalink Maestro RR Radio Replacement Interface
iDatalink Compatible Radio

OPTIONAL ACCESSORIES

None

PROGRAMMED FIRMWARE

ADS-RR(SI)-TOY01-AS

NOTICE: Automotive Data Solutions Inc. (ADS) recommends having this installation performed by a certified technician. Logos and trademarks used here in are the properties of their respective owners.

WELCOME

Congratulations on the purchase of your iDatalink Maestro RR Radio replacement solution. You are now a few simple steps away from enjoying your new car radio with enhanced features.

Before starting your installation, please ensure that your iDatalink Maestro module is programmed with the correct firmware for your vehicle and that you carefully review the install guide.

Please note that Maestro RR will only retain functionalities that were originally available in the vehicle.

NEED HELP?

 **1 866 427-2999**

 **support@idatalink.com**

 **maestro.idatalink.com/support
www.12voltdata.com/forum**

TABLE OF CONTENTS

Wiring Diagram	3
Vehicle Wire Reference Chart	4

VEHICLE WIRE REFERENCE CHART

Wire Description	Connector Name	Connector Color	Connector Type	Position	Wire Color	Polarity	Wire Location
SWI 1	~	~	28 pin	21	White	(DATA)	Behind radio
SWI 2	~	~	28 pin	22	Red	(DATA)	Behind radio
SWI 3	~	~	28 pin	24	Green	(DATA)	Behind radio
SWI Feed	~	~	28 pin	23	Black	(-)	Behind radio



INSTALL GUIDE TOYOTA SEQUOIA 2014-2015

RETAINS STEERING WHEEL CONTROLS



PRODUCTS REQUIRED

iDatalink Maestro RR Radio Replacement Interface
iDatalink Compatible Radio

OPTIONAL ACCESSORIES

None

PROGRAMMED FIRMWARE

ADS-RR(SI)-TOY01-AS

NOTICE: Automotive Data Solutions Inc. (ADS) recommends having this installation performed by a certified technician. Logos and trademarks used here in are the properties of their respective owners.

WELCOME

Congratulations on the purchase of your iDatalink Maestro RR Radio replacement solution. You are now a few simple steps away from enjoying your new car radio with enhanced features.

Before starting your installation, please ensure that your iDatalink Maestro module is programmed with the correct firmware for your vehicle and that you carefully review the install guide.

Please note that Maestro RR will only retain functionalities that were originally available in the vehicle.

NEED HELP?

 **1 866 427-2999**

 support@idatalink.com

 maestro.idatalink.com/support
www.12voltdata.com/forum

TABLE OF CONTENTS

Wiring Diagram	3
Vehicle Wire Reference Chart	4

VEHICLE WIRE REFERENCE CHART

Wire Description	Connector Name	Connector Color	Connector Type	Position	Wire Color	Polarity	Wire Location
SWI 1	~	~	28 pin	21	Green	(DATA)	Behind radio
SWI 2	~	~	28 pin	22	Gray	(DATA)	Behind radio
SWI 3	~	~	28 pin	24	White	(DATA)	Behind radio
SWI Feed	~	~	28 pin	23	Brown	(-)	Behind radio



INSTALL GUIDE TOYOTA TACOMA 2014-2015

RETAINS STEERING WHEEL CONTROLS



PRODUCTS REQUIRED

iDatalink Maestro RR Radio Replacement Interface
iDatalink Compatible Radio

OPTIONAL ACCESSORIES

None

PROGRAMMED FIRMWARE

ADS-RR(SI)-TOY01-AS

NOTICE: Automotive Data Solutions Inc. (ADS) recommends having this installation performed by a certified technician. Logos and trademarks used here in are the properties of their respective owners.

WELCOME

Congratulations on the purchase of your iDatalink Maestro RR Radio replacement solution. You are now a few simple steps away from enjoying your new car radio with enhanced features.

Before starting your installation, please ensure that your iDatalink Maestro module is programmed with the correct firmware for your vehicle and that you carefully review the install guide.

Please note that Maestro RR will only retain functionalities that were originally available in the vehicle.

NEED HELP?

 **1 866 427-2999**

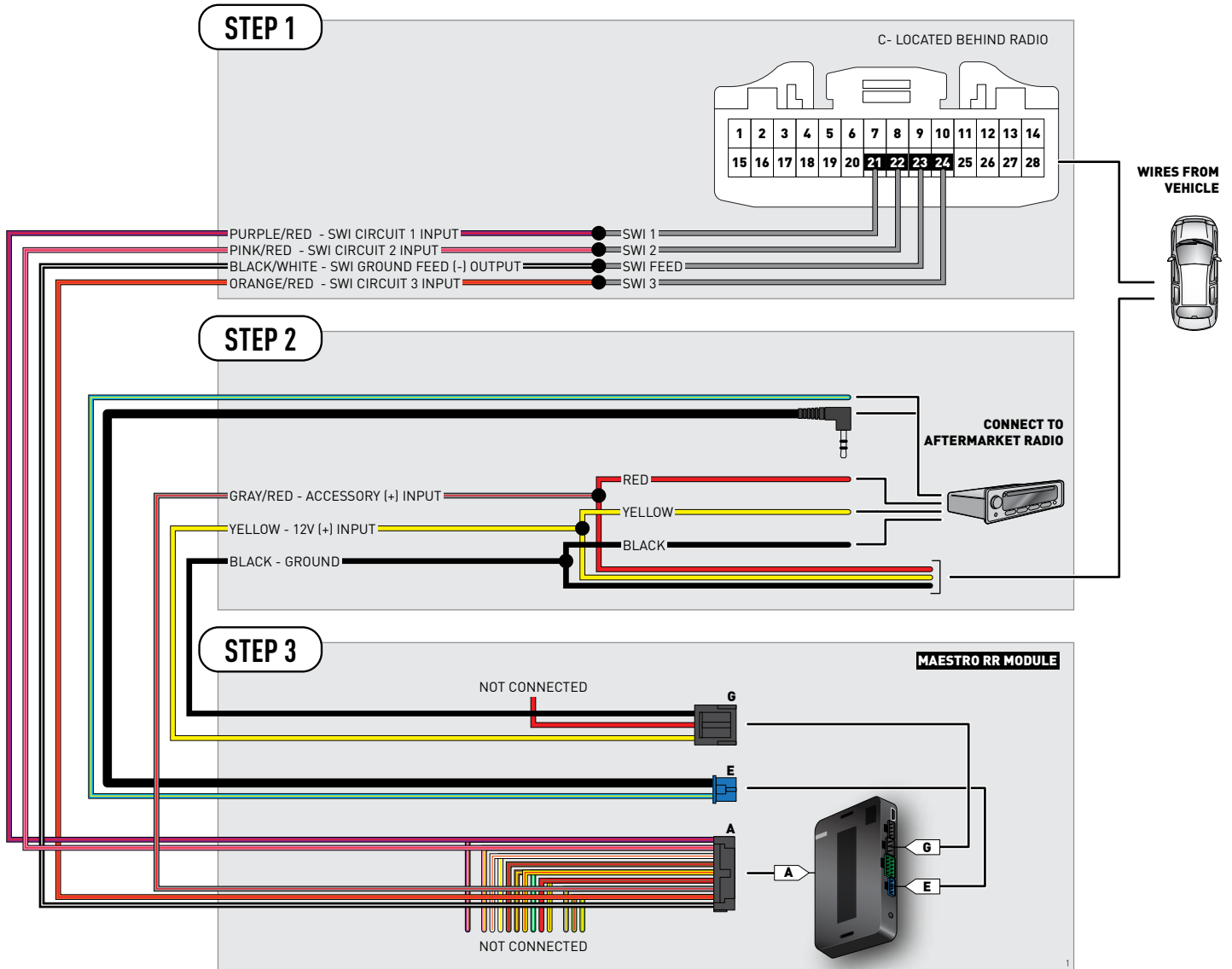
 support@idatalink.com

 maestro.idatalink.com/support
www.12voltdata.com/forum

TABLE OF CONTENTS

Wiring Diagram	3
Vehicle Wire Reference Chart	4

WIRING DIAGRAM



VEHICLE WIRE REFERENCE CHART

Wire Description	Connector Name	Connector Color	Connector Type	Position	Wire Color	Polarity	Wire Location
SWI 1	~	~	28 pin	21	Purple/White	(DATA)	Behind radio
SWI 2	~	~	28 pin	22	Yellow/Black	(DATA)	Behind radio
SWI 3	~	~	28 pin	24	Black	(DATA)	Behind radio
SWI Feed	~	~	28 pin	23	White/Red	(-)	Behind radio



INSTALL GUIDE TOYOTA TUNDRA 2014-2015

RETAINS STEERING WHEEL CONTROLS



PRODUCTS REQUIRED

iDatalink Maestro RR Radio Replacement Interface
iDatalink Compatible Radio

OPTIONAL ACCESSORIES

None

PROGRAMMED FIRMWARE

ADS-RR(SI)-TOY01-AS

NOTICE: Automotive Data Solutions Inc. (ADS) recommends having this installation performed by a certified technician. Logos and trademarks used here in are the properties of their respective owners.

WELCOME

Congratulations on the purchase of your iDatalink Maestro RR Radio replacement solution. You are now a few simple steps away from enjoying your new car radio with enhanced features.

Before starting your installation, please ensure that your iDatalink Maestro module is programmed with the correct firmware for your vehicle and that you carefully review the install guide.

Please note that Maestro RR will only retain functionalities that were originally available in the vehicle.

NEED HELP?

 **1 866 427-2999**

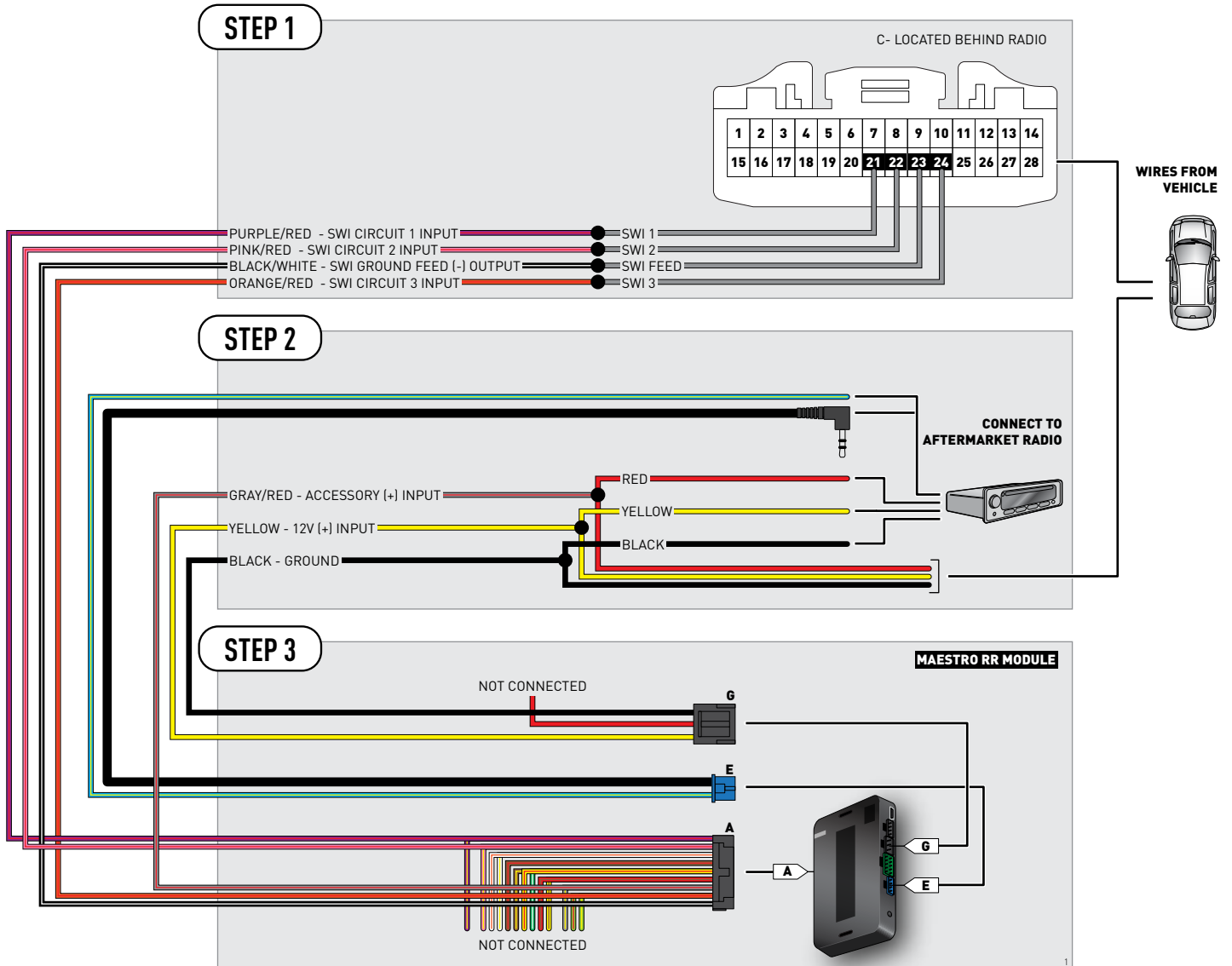
 **support@idatalink.com**

 **maestro.idatalink.com/support
www.12voltdata.com/forum**

TABLE OF CONTENTS

Wiring Diagram	3
Vehicle Wire Reference Chart	4

WIRING DIAGRAM



VEHICLE WIRE REFERENCE CHART

Wire Description	Connector Name	Connector Color	Connector Type	Position	Wire Color	Polarity	Wire Location
SWI 1	~	~	28 pin	21	Purple/White	(DATA)	Behind radio
SWI 2	~	~	28 pin	22	Yellow/Black	(DATA)	Behind radio
SWI 3	~	~	28 pin	24	Black	(DATA)	Behind radio
SWI Feed	~	~	28 pin	23	White/Red	(-)	Behind radio



INSTALL GUIDE TOYOTA VENZA 2013-2015

RETAINS STEERING WHEEL CONTROLS



PRODUCTS REQUIRED

iDatalink Maestro RR Radio Replacement Interface
iDatalink Compatible Radio

OPTIONAL ACCESSORIES

None

PROGRAMMED FIRMWARE

ADS-RR(SI)-TOY01-AS

NOTICE: Automotive Data Solutions Inc. (ADS) recommends having this installation performed by a certified technician. Logos and trademarks used here in are the properties of their respective owners.

WELCOME

Congratulations on the purchase of your iDatalink Maestro RR Radio replacement solution. You are now a few simple steps away from enjoying your new car radio with enhanced features.

Before starting your installation, please ensure that your iDatalink Maestro module is programmed with the correct firmware for your vehicle and that you carefully review the install guide.

Please note that Maestro RR will only retain functionalities that were originally available in the vehicle.

NEED HELP?

 **1 866 427-2999**

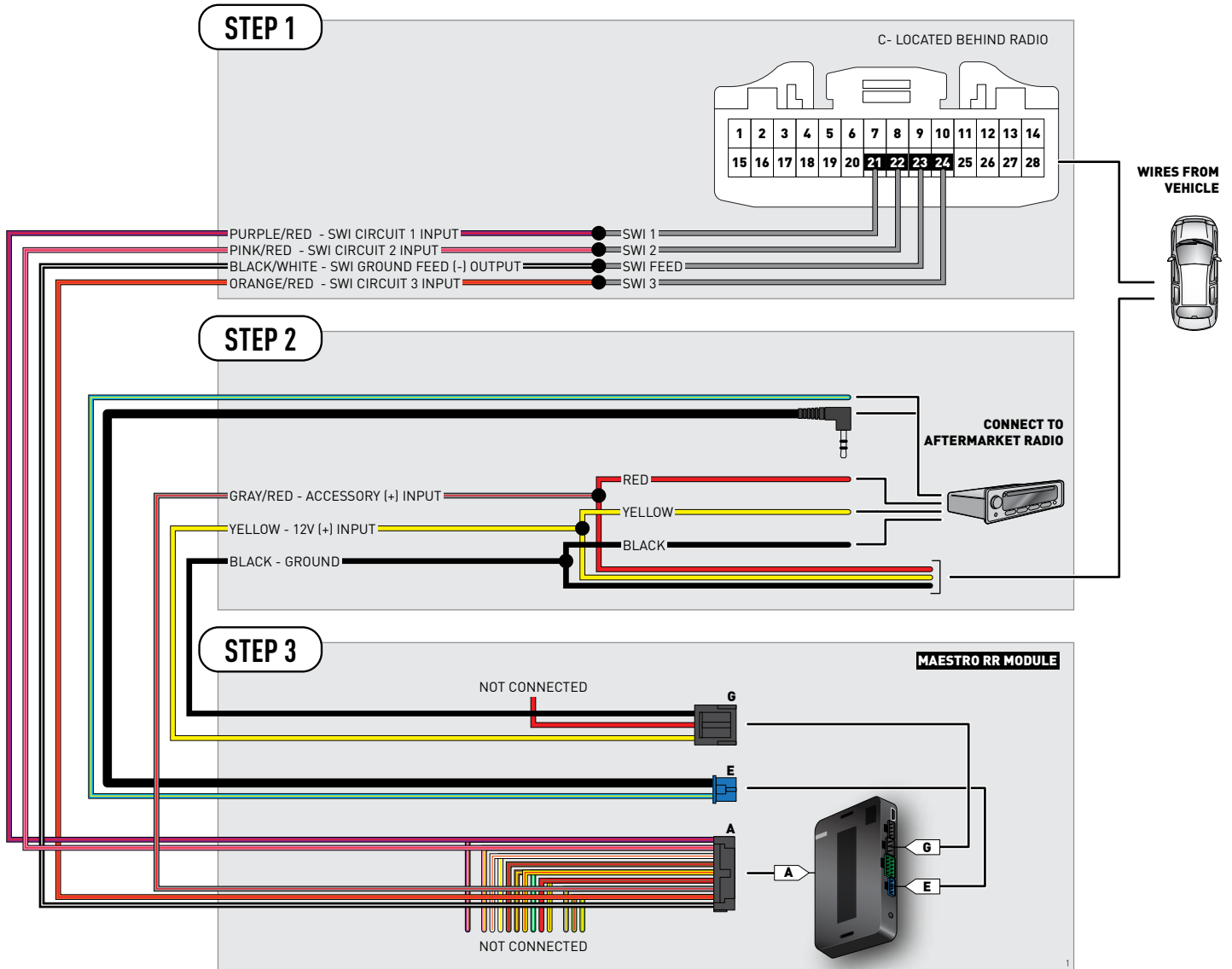
 **support@idatalink.com**

 **maestro.idatalink.com/support
www.12voltdata.com/forum**

TABLE OF CONTENTS

Wiring Diagram	3
Vehicle Wire Reference Chart	4

WIRING DIAGRAM



VEHICLE WIRE REFERENCE CHART

Wire Description	Connector Name	Connector Color	Connector Type	Position	Wire Color	Polarity	Wire Location
SWI 1	~	~	28 pin	21	Gray	(DATA)	Behind radio
SWI 2	~	~	28 pin	22	LtGreen	(DATA)	Behind radio
SWI 3	~	~	28 pin	24	Blue	(DATA)	Behind radio
SWI Feed	~	~	28 pin	23	Red	(-)	Behind radio