



HOW TO USE THIS INSTALL GUIDE

- 1** Open the Bookmarks menu and find your vehicle OR scroll down until you find the install guide for your vehicle.
- 2** Print only the pages for your vehicle using the advanced options in the Print menu.
- 3** Install your Maestro RR according to the guide for your vehicle.

WARNING

Pressing the printer icon or “quick printing” this document will print all of the guides in this compilation.



INSTALL GUIDE CHRYSLER 200 2011-2014

RETAINS STEERING WHEEL CONTROLS, UCONNECT, UCONNECT BLUETOOTH, AND MORE!



PRODUCTS REQUIRED

iDatalink Maestro RR Radio Replacement Interface
iDatalink Maestro CH1 Installation Harness

OPTIONAL ACCESSORIES

ADS-HRN(AV)-CHR01

PROGRAMMED FIRMWARE

ADS-RR(SR)-CHR01-DS

NOTICE: Automotive Data Solutions Inc. (ADS) recommends having this installation performed by a certified technician. Logos and trademarks used here in are the properties of their respective owners.

WELCOME

Congratulations on the purchase of your iDatalink Maestro RR Radio replacement solution. You are now a few simple steps away from enjoying your new car radio with enhanced features.

Before starting your installation, please ensure that your iDatalink Maestro module is programmed with the correct firmware and that you carefully review the Installation Diagram and Vehicle Wire Reference Chart.

Please note that Maestro RR will only retain functionalities that were originally available in the vehicle.

NEED HELP?

 **1 866 427-2999**

 **support@idatalink.com**

 **maestro.idatalink.com/support**
www.12voltdata.com/forum

DURING INSTALLATION

Installation Instructions	3
Wiring Diagram	5
Vehicle Wire Reference Chart	6
Radio Wire Reference Chart	7

INSTALLATION INSTRUCTIONS

STEP 1

- Unbox the aftermarket radio and locate its main harness.
- Connect the wires shown on the next page from aftermarket radio main harness to the CH1 T-harness and match the wire functions.

STEP 2

- Remove the factory radio.
- Access the main 22 pin factory radio connector **(2.1)** and determine if you have a factory amplifier.

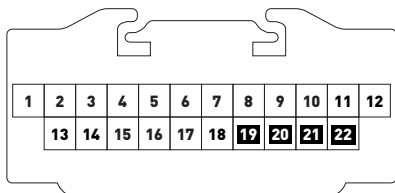


Fig. 2.1

If you don't have wires in PIN 19, 20, 21 and 22, you have a factory amplifier:

- Plug the female GREEN connector to the male GREEN connector of your CH1 T-harness.
- Plug the female WHITE connector to the male WHITE connector of your CH1 T-harness.

If you have wires in PIN 19, 20, 21 and 22, you don't have a factory amplifier:

- Plug the female GREEN connector to the male WHITE connector of your CH1 T-harness.
- Plug the female WHITE connector to the male GREEN connector of your CH1 T-harness.

STEP 3

- Plug the female RED connector to the male BLACK connector.

STEP 4

- Connect the factory harness to the CH1 T-harness.

STEP 5

- Access the OBDII connector located under the driver side dashboard.
- Connect the RED/BROWN wire of the CH1 T-harness to the wire located at pin 6 of the OBDII connector. (See the vehicle wire chart reference for wire colors)
- Connect the YELLOW/BROWN wire of the CH1 T-harness to the wire located at pin 14 of the OBDII connector. (See the vehicle wire chart reference for wire colors)

STEP 6

- Plug the aftermarket radio harnesses into the aftermarket radio.
- Plug the Data cable to the data port of the aftermarket radio.
- Insert the Audio cable into the iDatalink 3.5 mm audio jack of the aftermarket radio.

STEP 7

- Connect all the harnesses to the Maestro RR module then proceed to module setup.

MODULE SETUP:

- Insert the key into the ignition and turn it to the ACC position.
- The Radio will turn on and the setup screen will appear. Choose one of the two Bluetooth OPTIONS below:

OPTION 1:

- This option lets the factory Bluetooth system handle calls and the Factory and the aftermarket Bluetooth system stream Audio.
- To use the factory Bluetooth system: (The factory Bluetooth system is OFF by default)
- Scroll down to Chrysler setup and press SET
- Go to the OEM Bluetooth and press ON
- Press the BACK button (circular shaped arrow)
- Scroll down then press FINISH

INSTALLATION INSTRUCTIONS

OPTION 2:

This option lets the aftermarket Bluetooth system handle calls and stream Audio. To use the aftermarket Bluetooth system:

- Scroll to the bottom of the setup screen and press FINISH
- Install the aftermarket microphone

WARNING: Aftermarket Bluetooth system If your phone is paired to the Factory Bluetooth system you must delete the pairing from the phone to the Factory Bluetooth system.

For more information and programming procedures, see the aftermarket Bluetooth system and the factory Bluetooth system owner's manuals.

The module is now programmed and ready to be used. To access the new menus, press on CHRYSLER FEATURES.

Insert the aftermarket radio in the dashboard housing and test all the functionalities. Reassemble the dashboard carefully.

TROUBLESHOOTING TIPS:

- To reset the module back its factory settings, turn the key to the OFF position then disconnect all connectors from the module. Press and hold the module's programming button and connect all the connectors back to the module. Wait, the module's LED will flash RED rapidly (this may take up to 10 seconds). Release the programming button. Wait, the LED will turn solid GREEN for 2 seconds.
- For technical assistance call 1-866-427-2999 or e-mail "support@idatalink.com". Visit us at "maestro.idatalink.com/support" and "www.12voltdata.com/forum/"

OEM BLUETOOTH SETUP

Only one Bluetooth system can be set for hands free calling. This must be determined before installation. Both the factory and aftermarket systems can be used for Bluetooth audio streaming. If the aftermarket Bluetooth is chosen for hands free calling, the aftermarket microphone must be installed in the vehicle.

2013 Kenwood Radios:

For these radio models, the OEM Bluetooth is turned OFF by default. To turn ON the OEM Bluetooth, insert the key into the ignition and turn it to the ACC position. The Radio will turn on

and the setup screen will appear. Scroll to the bottom and select the vehicle set up menu by pressing SET. Go to the option OEM Bluetooth and select ON. Press the return arrow then scroll to the bottom of the page select FINISH.

2014 Kenwood Radios:

For these radio models, the OEM Bluetooth is turned ON by default. To turn OFF the OEM Bluetooth, insert the key into the ignition and turn it to the ACC position. The radio will turn ON and the setup screen will appear. Scroll to the bottom and select the vehicle set up menu by pressing SET. Go to the option OEM Bluetooth and select OFF.

2014 Alpine Radios:

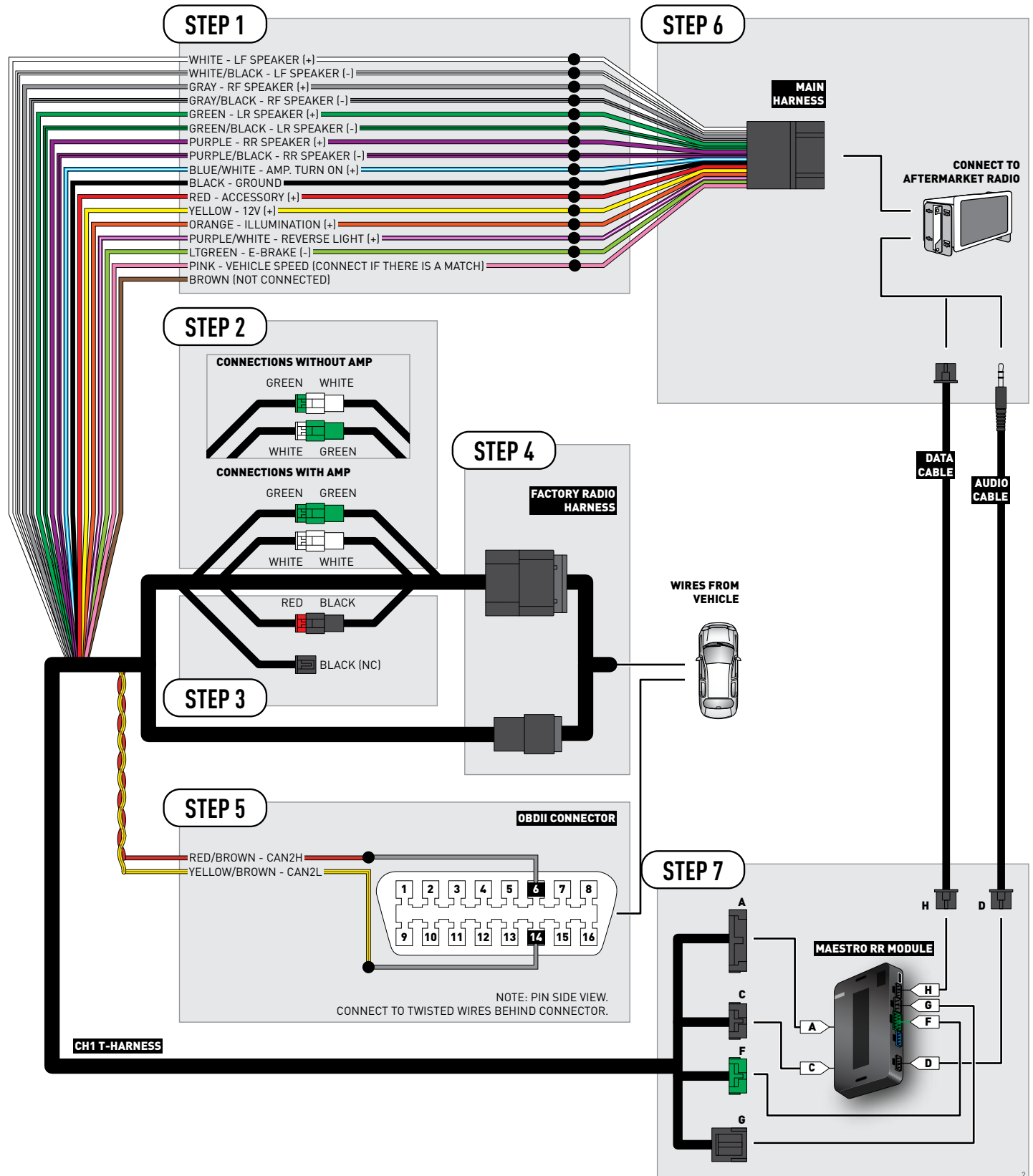
For these radio models, the OEM Bluetooth is turned ON by default. To turn OFF the OEM Bluetooth, insert the key into the ignition and turn it to the ACC position. The radio will turn ON and the main screen will appear. Select the settings button, in the top right corner, then select GENERAL. Select INTEGRATION SETUP then select HANDS FREE CONNECTION. Two options will be available ON or OFF, select OFF.

2014 Pioneer Radios:

For these radio models, the OEM Bluetooth is turned ON by default. To turn OFF the OEM Bluetooth, insert the key into the ignition and turn it to the ACC position. The radio will turn ON and the main screen will appear. Select SETUP, then SYSTEM SETUP, then IDATALINK SETUP and turn OEM Bluetooth to OFF.

Note: Bluetooth audio streaming is not supported by 2014 Pioneer radios.

WIRING DIAGRAM



VEHICLE WIRE REFERENCE CHART

Wire Description	Connector Name	Connector Color	Connector Type	Position	Wire Color	Polarity	Wire Location
CAN2H	OBDII	~	16 pin	06	White/LtBlue	[DATA]	OBDII connector, under driver side dash
CAN2L	OBDII	~	16 pin	14	White/DkBlue	[DATA]	OBDII connector, under driver side dash

RADIO WIRE REFERENCE CHART

Wire Description	Polarity	Wire Color on Maestro T-Harness	Wire Color on Alpine cable	Wire Color on Kenwood cable	Wire Color on Pioneer cable
Illumination	(+)	Orange	N/A	Orange/White	Orange/White
Reverse Light	(+)	Purple/White	Orange/White	Purple/White	Purple/White
E-Brake	(-)	Lt Green	Yellow/Blue	Lt Green	Lt Green
Foot Brake	(+)	Yellow/Black	Yellow/Black	N/A	N/A
VSS (vehicle speed sensor)	(DATA)	Pink	Green/White	N/A	Pink



INSTALL GUIDE CHRYSLER 300 2008-2010

RETAINS STEERING WHEEL CONTROLS, UCONNECT, UCONNECT BLUETOOTH, AND MORE!



PRODUCTS REQUIRED

iDatalink Maestro RR Radio Replacement Interface
iDatalink Maestro CH1 Installation Harness

OPTIONAL ACCESSORIES

ADS-HRN(AV)-CHR01

PROGRAMMED FIRMWARE

ADS-RR(SR)-CHR01-DS

NOTICE: Automotive Data Solutions Inc. (ADS) recommends having this installation performed by a certified technician. Logos and trademarks used here in are the properties of their respective owners.

WELCOME

Congratulations on the purchase of your iDatalink Maestro RR Radio replacement solution. You are now a few simple steps away from enjoying your new car radio with enhanced features.

Before starting your installation, please ensure that your iDatalink Maestro module is programmed with the correct firmware and that you carefully review the Installation Diagram and Vehicle Wire Reference Chart.

Please note that Maestro RR will only retain functionalities that were originally available in the vehicle.

NEED HELP?

 **1 866 427-2999**

 **support@idatalink.com**

 **maestro.idatalink.com/support**
www.12voltdata.com/forum

DURING INSTALLATION

Installation Instructions	3
Wiring Diagram	5
Vehicle Wire Reference Chart	6
Radio Wire Reference Chart	7

INSTALLATION INSTRUCTIONS

STEP 1

- Unbox the aftermarket radio and locate its main harness.
- Connect the wires shown on the next page from aftermarket radio main harness to the CH1 T-harness and match the wire functions.

STEP 2

- Remove the factory radio.
- Access the main 22 pin factory radio connector **(2.1)** and determine if you have a factory amplifier.

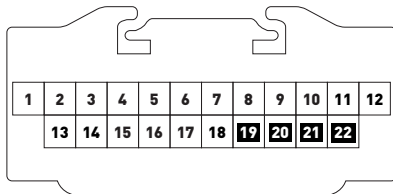


Fig. 2.1

If you don't have wires in PIN 19, 20, 21 and 22, you have a factory amplifier:

- Plug the female GREEN connector to the male GREEN connector of your CH1 T-harness.
- Plug the female WHITE connector to the male WHITE connector of your CH1 T-harness.

If you have wires in PIN 19, 20, 21 and 22, you don't have a factory amplifier:

- Plug the female GREEN connector to the male WHITE connector of your CH1 T-harness.
- Plug the female WHITE connector to the male GREEN connector of your CH1 T-harness.

STEP 3

- Plug the female RED connector to the male BLACK connector.

STEP 4

- Connect the factory harness to the CH1 T-harness.

STEP 5

- Access the OBDII connector located under the driver side dashboard.
- Connect the RED/BROWN wire of the CH1 T-harness to the wire located at pin 6 of the OBDII connector. (See the vehicle wire chart reference for wire colors)
- Connect the YELLOW/BROWN wire of the CH1 T-harness to the wire located at pin 14 of the OBDII connector. (See the vehicle wire chart reference for wire colors)

STEP 6

- Plug the aftermarket radio harnesses into the aftermarket radio.
- Plug the Data cable to the data port of the aftermarket radio.
- Insert the Audio cable into the iDatalink 3.5 mm audio jack of the aftermarket radio.

STEP 7

- Connect all the harnesses to the Maestro RR module then proceed to module setup.

MODULE SETUP:

- Insert the key into the ignition and turn it to the ACC position.
- The Radio will turn on and the setup screen will appear. Choose one of the two Bluetooth OPTIONS below:

OPTION 1:

- This option lets the factory Bluetooth system handle calls and the Factory and the aftermarket Bluetooth system stream Audio.
- To use the factory Bluetooth system: (The factory Bluetooth system is OFF by default)
- Scroll down to Chrysler setup and press SET
- Go to the OEM Bluetooth and press ON
- Press the BACK button (circular shaped arrow)
- Scroll down then press FINISH

INSTALLATION INSTRUCTIONS

OPTION 2:

This option lets the aftermarket Bluetooth system handle calls and stream Audio. To use the aftermarket Bluetooth system:

- Scroll to the bottom of the setup screen and press FINISH
- Install the aftermarket microphone

WARNING: Aftermarket Bluetooth system If your phone is paired to the Factory Bluetooth system you must delete the pairing from the phone to the Factory Bluetooth system.

For more information and programming procedures, see the aftermarket Bluetooth system and the factory Bluetooth system owner's manuals.

The module is now programmed and ready to be used. To access the new menus, press on CHRYSLER FEATURES.

Insert the aftermarket radio in the dashboard housing and test all the functionalities. Reassemble the dashboard carefully.

TROUBLESHOOTING TIPS:

- To reset the module back its factory settings, turn the key to the OFF position then disconnect all connectors from the module. Press and hold the module's programming button and connect all the connectors back to the module. Wait, the module's LED will flash RED rapidly (this may take up to 10 seconds). Release the programming button. Wait, the LED will turn solid GREEN for 2 seconds.
- For technical assistance call 1-866-427-2999 or e-mail "support@idatalink.com". Visit us at "maestro.idatalink.com/support" and "www.12voltdata.com/forum/"

OEM BLUETOOTH SETUP

Only one Bluetooth system can be set for hands free calling. This must be determined before installation. Both the factory and aftermarket systems can be used for Bluetooth audio streaming. If the aftermarket Bluetooth is chosen for hands free calling, the aftermarket microphone must be installed in the vehicle.

2013 Kenwood Radios:

For these radio models, the OEM Bluetooth is turned OFF by default. To turn ON the OEM Bluetooth, insert the key into the ignition and turn it to the ACC position. The Radio will turn on

and the setup screen will appear. Scroll to the bottom and select the vehicle set up menu by pressing SET. Go to the option OEM Bluetooth and select ON. Press the return arrow then scroll to the bottom of the page select FINISH.

2014 Kenwood Radios:

For these radio models, the OEM Bluetooth is turned ON by default. To turn OFF the OEM Bluetooth, insert the key into the ignition and turn it to the ACC position. The radio will turn ON and the setup screen will appear. Scroll to the bottom and select the vehicle set up menu by pressing SET. Go to the option OEM Bluetooth and select OFF.

2014 Alpine Radios:

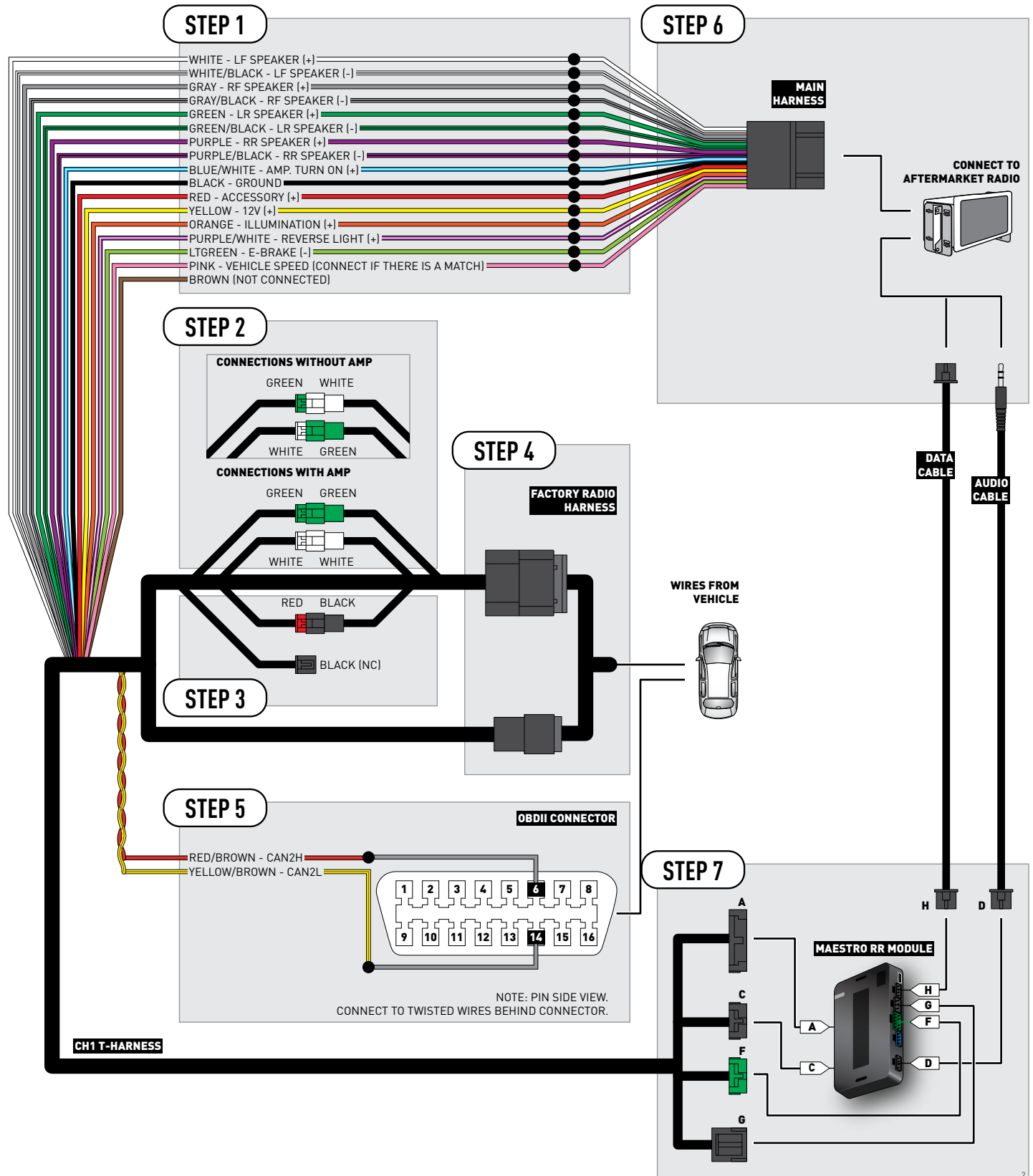
For these radio models, the OEM Bluetooth is turned ON by default. To turn OFF the OEM Bluetooth, insert the key into the ignition and turn it to the ACC position. The radio will turn ON and the main screen will appear. Select the settings button, in the top right corner, then select GENERAL. Select INTEGRATION SETUP then select HANDS FREE CONNECTION. Two options will be available ON or OFF, select OFF.

2014 Pioneer Radios:

For these radio models, the OEM Bluetooth is turned ON by default. To turn OFF the OEM Bluetooth, insert the key into the ignition and turn it to the ACC position. The radio will turn ON and the main screen will appear. Select SETUP, then SYSTEM SETUP, then IDATALINK SETUP and turn OEM Bluetooth to OFF.

Note: Bluetooth audio streaming is not supported by 2014 Pioneer radios.

WIRING DIAGRAM



VEHICLE WIRE REFERENCE CHART

Wire Description	Connector Name	Connector Color	Connector Type	Position	Wire Color	Polarity	Wire Location
CAN2H	OBDII	~	16 pin	06	White/LtBlue	[DATA]	OBDII connector, under driver side dash
CAN2L	OBDII	~	16 pin	14	White/DkBlue	[DATA]	OBDII connector, under driver side dash

RADIO WIRE REFERENCE CHART

Wire Description	Polarity	Wire Color on Maestro T-Harness	Wire Color on Alpine cable	Wire Color on Kenwood cable	Wire Color on Pioneer cable
Illumination	(+)	Orange	N/A	Orange/White	Orange/White
Reverse Light	(+)	Purple/White	Orange/White	Purple/White	Purple/White
E-Brake	(-)	Lt Green	Yellow/Blue	Lt Green	Lt Green
Foot Brake	(+)	Yellow/Black	Yellow/Black	N/A	N/A
VSS (vehicle speed sensor)	(DATA)	Pink	Green/White	N/A	Pink



INSTALL GUIDE CHRYSLER ASPEN 2008-2009

RETAINS STEERING WHEEL CONTROLS, UCONNECT, UCONNECT BLUETOOTH, AND MORE!



PRODUCTS REQUIRED

iDatalink Maestro RR Radio Replacement Interface
iDatalink Maestro CH1 Installation Harness

OPTIONAL ACCESSORIES

ADS-HRN(AV)-CHR01

PROGRAMMED FIRMWARE

ADS-RR(SR)-CHR01-DS

NOTICE: Automotive Data Solutions Inc. (ADS) recommends having this installation performed by a certified technician. Logos and trademarks used here in are the properties of their respective owners.

WELCOME

Congratulations on the purchase of your iDatalink Maestro RR Radio replacement solution. You are now a few simple steps away from enjoying your new car radio with enhanced features.


Before starting your installation, please ensure that your iDatalink Maestro module is programmed with the correct firmware and that you carefully review the Installation Diagram and Vehicle Wire Reference Chart.

Please note that Maestro RR will only retain functionalities that were originally available in the vehicle.

NEED HELP?

 **1 866 427-2999**

 **support@idatalink.com**

 **maestro.idatalink.com/support**
www.12voltdata.com/forum

DURING INSTALLATION

Installation Instructions	3
Wiring Diagram	5
Vehicle Wire Reference Chart	6
Radio Wire Reference Chart	7

INSTALLATION INSTRUCTIONS

STEP 1

- Unbox the aftermarket radio and locate its main harness.
- Connect the wires shown on the next page from aftermarket radio main harness to the CH1 T-harness and match the wire functions.

STEP 2

- Remove the factory radio.
- Access the main 22 pin factory radio connector **(2.1)** and determine if you have a factory amplifier.

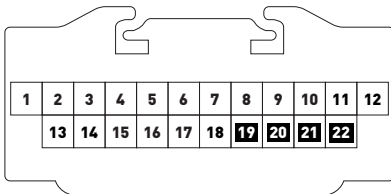


Fig. 2.1

If you don't have wires in PIN 19, 20, 21 and 22, you have a factory amplifier:

- Plug the female GREEN connector to the male GREEN connector of your CH1 T-harness.
- Plug the female WHITE connector to the male WHITE connector of your CH1 T-harness.

If you have wires in PIN 19, 20, 21 and 22, you don't have a factory amplifier:

- Plug the female GREEN connector to the male WHITE connector of your CH1 T-harness.
- Plug the female WHITE connector to the male GREEN connector of your CH1 T-harness.

STEP 3

- Plug the female RED connector to the male BLACK connector.

STEP 4

- Connect the factory harness to the CH1 T-harness.

STEP 5

- Access the OBDII connector located under the driver side dashboard.
- Connect the RED/BROWN wire of the CH1 T-harness to the wire located at pin 6 of the OBDII connector. (See the vehicle wire chart reference for wire colors)
- Connect the YELLOW/BROWN wire of the CH1 T-harness to the wire located at pin 14 of the OBDII connector. (See the vehicle wire chart reference for wire colors)

STEP 6

- Plug the aftermarket radio harnesses into the aftermarket radio.
- Plug the Data cable to the data port of the aftermarket radio.
- Insert the Audio cable into the iDatalink 3.5 mm audio jack of the aftermarket radio.

STEP 7

- Connect all the harnesses to the Maestro RR module then proceed to module setup.

MODULE SETUP:

- Insert the key into the ignition and turn it to the ACC position.
- The Radio will turn on and the setup screen will appear. Choose one of the two Bluetooth OPTIONS below:

OPTION 1:

- This option lets the factory Bluetooth system handle calls and the Factory and the aftermarket Bluetooth system stream Audio.
- To use the factory Bluetooth system: (The factory Bluetooth system is OFF by default)
- Scroll down to Chrysler setup and press SET
- Go to the OEM Bluetooth and press ON
- Press the BACK button (circular shaped arrow)
- Scroll down then press FINISH

INSTALLATION INSTRUCTIONS

OPTION 2:

This option lets the aftermarket Bluetooth system handle calls and stream Audio. To use the aftermarket Bluetooth system:

- Scroll to the bottom of the setup screen and press FINISH
- Install the aftermarket microphone

WARNING: Aftermarket Bluetooth system If your phone is paired to the Factory Bluetooth system you must delete the pairing from the phone to the Factory Bluetooth system.

For more information and programming procedures, see the aftermarket Bluetooth system and the factory Bluetooth system owner's manuals.

The module is now programmed and ready to be used. To access the new menus, press on CHRYSLER FEATURES.

Insert the aftermarket radio in the dashboard housing and test all the functionalities. Reassemble the dashboard carefully.

TROUBLESHOOTING TIPS:

- To reset the module back its factory settings, turn the key to the OFF position then disconnect all connectors from the module. Press and hold the module's programming button and connect all the connectors back to the module. Wait, the module's LED will flash RED rapidly (this may take up to 10 seconds). Release the programming button. Wait, the LED will turn solid GREEN for 2 seconds.
- For technical assistance call 1-866-427-2999 or e-mail "support@idatalink.com". Visit us at "maestro.idatalink.com/support" and "www.12voltdata.com/forum/"

OEM BLUETOOTH SETUP

Only one Bluetooth system can be set for hands free calling. This must be determined before installation. Both the factory and aftermarket systems can be used for Bluetooth audio streaming. If the aftermarket Bluetooth is chosen for hands free calling, the aftermarket microphone must be installed in the vehicle.

2013 Kenwood Radios:

For these radio models, the OEM Bluetooth is turned OFF by default. To turn ON the OEM Bluetooth, insert the key into the ignition and turn it to the ACC position. The Radio will turn on

and the setup screen will appear. Scroll to the bottom and select the vehicle set up menu by pressing SET. Go to the option OEM Bluetooth and select ON. Press the return arrow then scroll to the bottom of the page select FINISH.

2014 Kenwood Radios:

For these radio models, the OEM Bluetooth is turned ON by default. To turn OFF the OEM Bluetooth, insert the key into the ignition and turn it to the ACC position. The radio will turn ON and the setup screen will appear. Scroll to the bottom and select the vehicle set up menu by pressing SET. Go to the option OEM Bluetooth and select OFF.

2014 Alpine Radios:

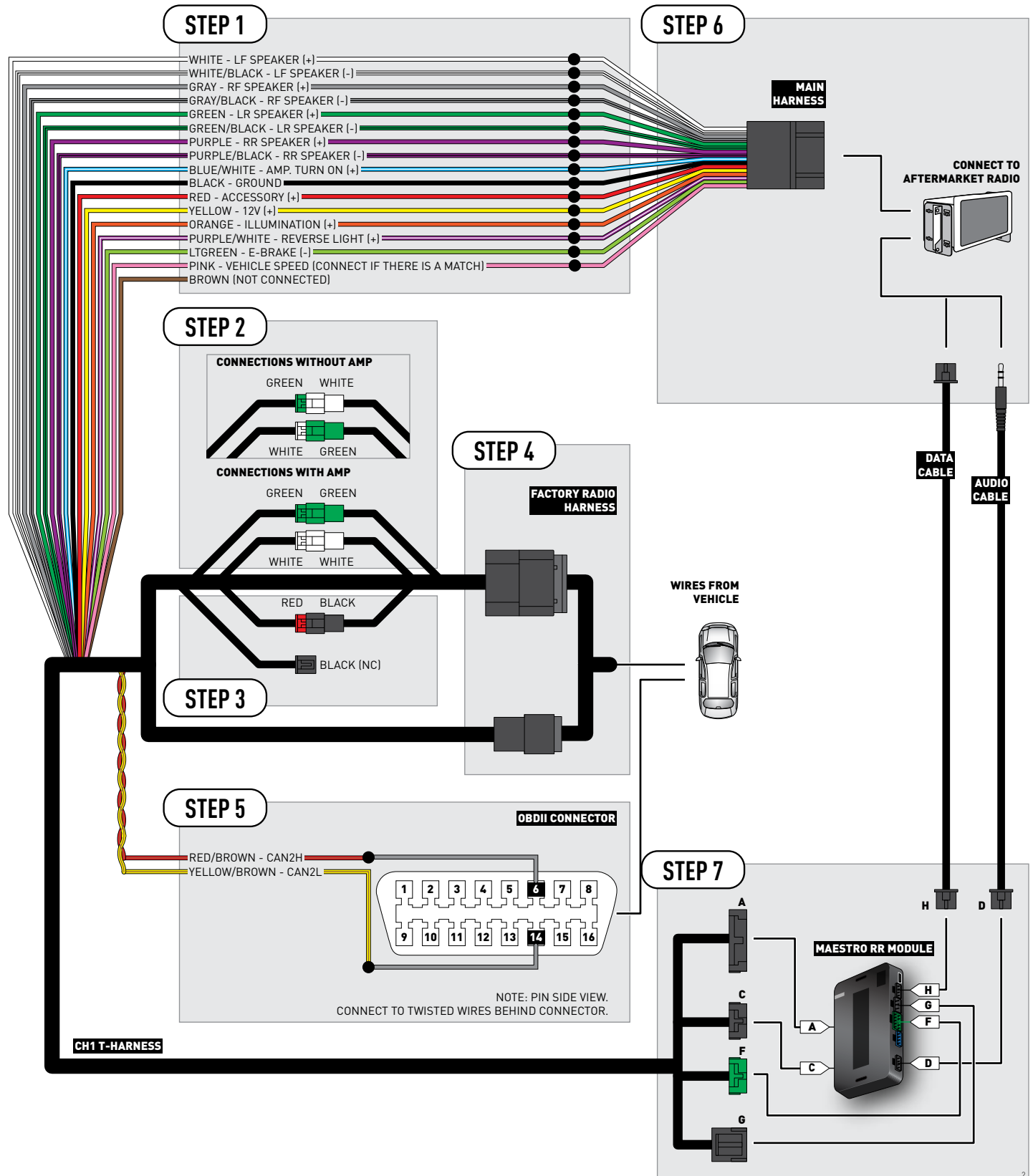
For these radio models, the OEM Bluetooth is turned ON by default. To turn OFF the OEM Bluetooth, insert the key into the ignition and turn it to the ACC position. The radio will turn ON and the main screen will appear. Select the settings button, in the top right corner, then select GENERAL. Select INTEGRATION SETUP then select HANDS FREE CONNECTION. Two options will be available ON or OFF, select OFF.

2014 Pioneer Radios:

For these radio models, the OEM Bluetooth is turned ON by default. To turn OFF the OEM Bluetooth, insert the key into the ignition and turn it to the ACC position. The radio will turn ON and the main screen will appear. Select SETUP, then SYSTEM SETUP, then IDATALINK SETUP and turn OEM Bluetooth to OFF.

Note: Bluetooth audio streaming is not supported by 2014 Pioneer radios.

WIRING DIAGRAM



VEHICLE WIRE REFERENCE CHART

Wire Description	Connector Name	Connector Color	Connector Type	Position	Wire Color	Polarity	Wire Location
CAN2H	OBDII	~	16 pin	06	White/Pink	[DATA]	OBDII connector, under driver side dash
CAN2L	OBDII	~	16 pin	14	White/Red	[DATA]	OBDII connector, under driver side dash

RADIO WIRE REFERENCE CHART

Wire Description	Polarity	Wire Color on Maestro T-Harness	Wire Color on Alpine cable	Wire Color on Kenwood cable	Wire Color on Pioneer cable
Illumination	(+)	Orange	N/A	Orange/White	Orange/White
Reverse Light	(+)	Purple/White	Orange/White	Purple/White	Purple/White
E-Brake	(-)	Lt Green	Yellow/Blue	Lt Green	Lt Green
Foot Brake	(+)	Yellow/Black	Yellow/Black	N/A	N/A
VSS (vehicle speed sensor)	(DATA)	Pink	Green/White	N/A	Pink



INSTALL GUIDE CHRYSLER SEBRING 2007-2010

RETAINS STEERING WHEEL CONTROLS, UCONNECT, UCONNECT BLUETOOTH, AND MORE!



PRODUCTS REQUIRED

iDatalink Maestro RR Radio Replacement Interface
iDatalink Maestro CH1 Installation Harness

OPTIONAL ACCESSORIES

ADS-HRN(AV)-CHR01

PROGRAMMED FIRMWARE

ADS-RR(SR)-CHR01-DS

NOTICE: Automotive Data Solutions Inc. (ADS) recommends having this installation performed by a certified technician. Logos and trademarks used here in are the properties of their respective owners.

WELCOME

Congratulations on the purchase of your iDatalink Maestro RR Radio replacement solution. You are now a few simple steps away from enjoying your new car radio with enhanced features.


Before starting your installation, please ensure that your iDatalink Maestro module is programmed with the correct firmware and that you carefully review the Installation Diagram and Vehicle Wire Reference Chart.

Please note that Maestro RR will only retain functionalities that were originally available in the vehicle.

NEED HELP?

 **1 866 427-2999**

 **support@idatalink.com**

 **maestro.idatalink.com/support**
www.12voltdata.com/forum

DURING INSTALLATION

Installation Instructions	3
Wiring Diagram	5
Vehicle Wire Reference Chart	6
Radio Wire Reference Chart	7

INSTALLATION INSTRUCTIONS

STEP 1

- Unbox the aftermarket radio and locate its main harness.
- Connect the wires shown on the next page from aftermarket radio main harness to the CH1 T-harness and match the wire functions.

STEP 2

- Remove the factory radio.
- Access the main 22 pin factory radio connector **(2.1)** and determine if you have a factory amplifier.

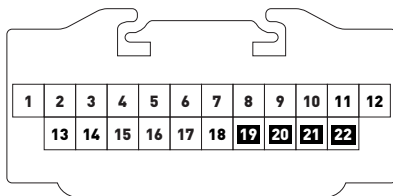


Fig. 2.1

If you don't have wires in PIN 19, 20, 21 and 22, you have a factory amplifier:

- Plug the female GREEN connector to the male GREEN connector of your CH1 T-harness.
- Plug the female WHITE connector to the male WHITE connector of your CH1 T-harness.

If you have wires in PIN 19, 20, 21 and 22, you don't have a factory amplifier:

- Plug the female GREEN connector to the male WHITE connector of your CH1 T-harness.
- Plug the female WHITE connector to the male GREEN connector of your CH1 T-harness.

STEP 3

- Plug the female RED connector to the male BLACK connector.

STEP 4

- Connect the factory harness to the CH1 T-harness.

STEP 5

- Access the OBDII connector located under the driver side dashboard.
- Connect the RED/BROWN wire of the CH1 T-harness to the wire located at pin 6 of the OBDII connector. (See the vehicle wire chart reference for wire colors)
- Connect the YELLOW/BROWN wire of the CH1 T-harness to the wire located at pin 14 of the OBDII connector. (See the vehicle wire chart reference for wire colors)

STEP 6

- Plug the aftermarket radio harnesses into the aftermarket radio.
- Plug the Data cable to the data port of the aftermarket radio.
- Insert the Audio cable into the iDatalink 3.5 mm audio jack of the aftermarket radio.

STEP 7

- Connect all the harnesses to the Maestro RR module then proceed to module setup.

MODULE SETUP:

- Insert the key into the ignition and turn it to the ACC position.
- The Radio will turn on and the setup screen will appear. Choose one of the two Bluetooth OPTIONS below:

OPTION 1:

- This option lets the factory Bluetooth system handle calls and the Factory and the aftermarket Bluetooth system stream Audio.
- To use the factory Bluetooth system: (The factory Bluetooth system is OFF by default)
- Scroll down to Chrysler setup and press SET
- Go to the OEM Bluetooth and press ON
- Press the BACK button (circular shaped arrow)
- Scroll down then press FINISH

INSTALLATION INSTRUCTIONS

OPTION 2:

This option lets the aftermarket Bluetooth system handle calls and stream Audio. To use the aftermarket Bluetooth system:

- Scroll to the bottom of the setup screen and press FINISH
- Install the aftermarket microphone

WARNING: Aftermarket Bluetooth system If your phone is paired to the Factory Bluetooth system you must delete the pairing from the phone to the Factory Bluetooth system.

For more information and programming procedures, see the aftermarket Bluetooth system and the factory Bluetooth system owner's manuals.

The module is now programmed and ready to be used. To access the new menus, press on CHRYSLER FEATURES.

Insert the aftermarket radio in the dashboard housing and test all the functionalities. Reassemble the dashboard carefully.

TROUBLESHOOTING TIPS:

- To reset the module back its factory settings, turn the key to the OFF position then disconnect all connectors from the module. Press and hold the module's programming button and connect all the connectors back to the module. Wait, the module's LED will flash RED rapidly (this may take up to 10 seconds). Release the programming button. Wait, the LED will turn solid GREEN for 2 seconds.
- For technical assistance call 1-866-427-2999 or e-mail "support@idatalink.com". Visit us at "maestro.idatalink.com/support" and "www.12voltdata.com/forum/"

OEM BLUETOOTH SETUP

Only one Bluetooth system can be set for hands free calling. This must be determined before installation. Both the factory and aftermarket systems can be used for Bluetooth audio streaming. If the aftermarket Bluetooth is chosen for hands free calling, the aftermarket microphone must be installed in the vehicle.

2013 Kenwood Radios:

For these radio models, the OEM Bluetooth is turned OFF by default. To turn ON the OEM Bluetooth, insert the key into the ignition and turn it to the ACC position. The Radio will turn on

and the setup screen will appear. Scroll to the bottom and select the vehicle set up menu by pressing SET. Go to the option OEM Bluetooth and select ON. Press the return arrow then scroll to the bottom of the page select FINISH.

2014 Kenwood Radios:

For these radio models, the OEM Bluetooth is turned ON by default. To turn OFF the OEM Bluetooth, insert the key into the ignition and turn it to the ACC position. The radio will turn ON and the setup screen will appear. Scroll to the bottom and select the vehicle set up menu by pressing SET. Go to the option OEM Bluetooth and select OFF.

2014 Alpine Radios:

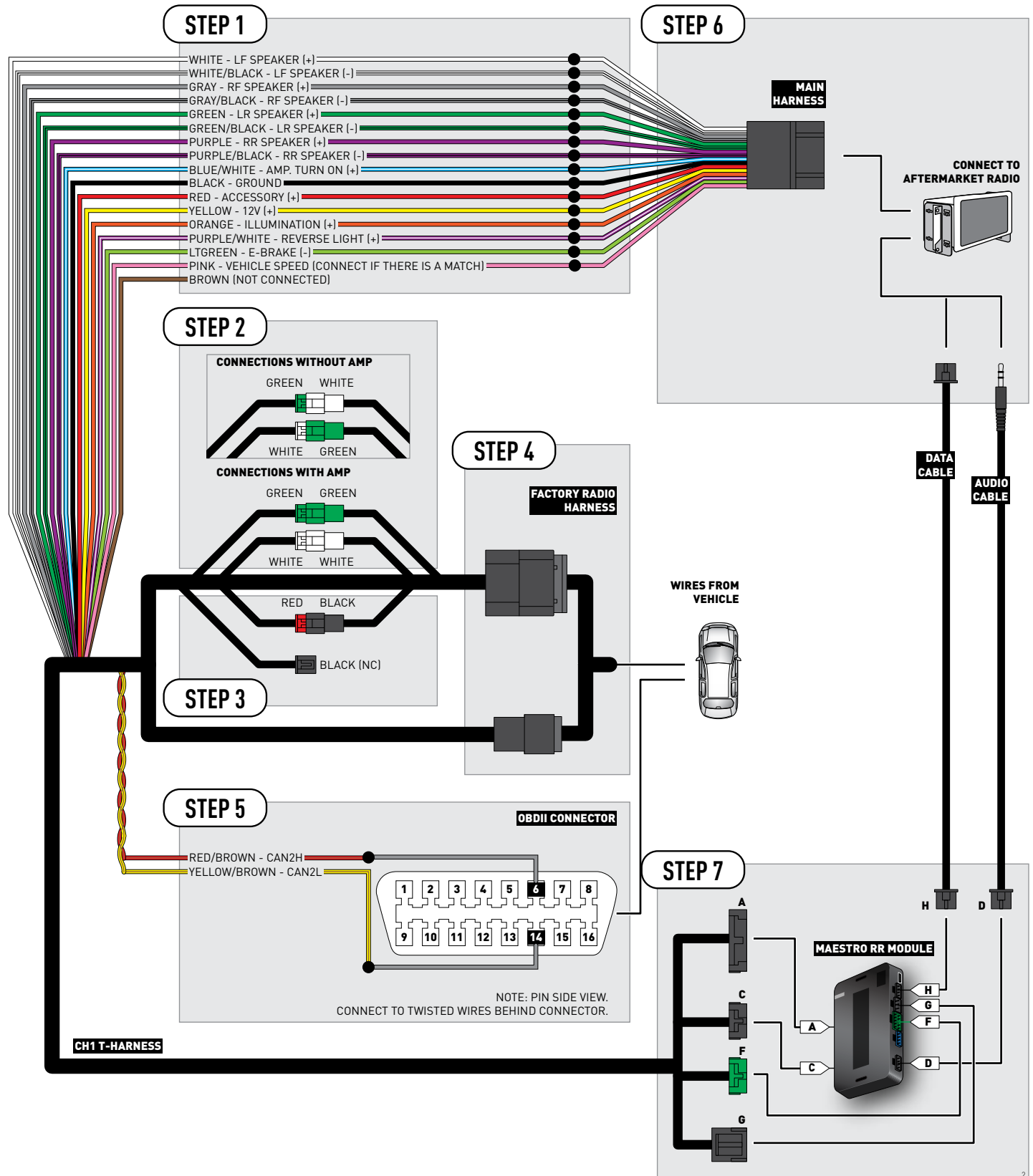
For these radio models, the OEM Bluetooth is turned ON by default. To turn OFF the OEM Bluetooth, insert the key into the ignition and turn it to the ACC position. The radio will turn ON and the main screen will appear. Select the settings button, in the top right corner, then select GENERAL. Select INTEGRATION SETUP then select HANDS FREE CONNECTION. Two options will be available ON or OFF, select OFF.

2014 Pioneer Radios:

For these radio models, the OEM Bluetooth is turned ON by default. To turn OFF the OEM Bluetooth, insert the key into the ignition and turn it to the ACC position. The radio will turn ON and the main screen will appear. Select SETUP, then SYSTEM SETUP, then IDATALINK SETUP and turn OEM Bluetooth to OFF.

Note: Bluetooth audio streaming is not supported by 2014 Pioneer radios.

WIRING DIAGRAM



VEHICLE WIRE REFERENCE CHART

Wire Description	Connector Name	Connector Color	Connector Type	Position	Wire Color	Polarity	Wire Location
CAN2H	OBDII	~	16 pin	06	White/LtBlue	[DATA]	OBDII connector, under driver side dash
CAN2L	OBDII	~	16 pin	14	White/DkBlue	[DATA]	OBDII connector, under driver side dash

RADIO WIRE REFERENCE CHART

Wire Description	Polarity	Wire Color on Maestro T-Harness	Wire Color on Alpine cable	Wire Color on Kenwood cable	Wire Color on Pioneer cable
Illumination	(+)	Orange	N/A	Orange/White	Orange/White
Reverse Light	(+)	Purple/White	Orange/White	Purple/White	Purple/White
E-Brake	(-)	Lt Green	Yellow/Blue	Lt Green	Lt Green
Foot Brake	(+)	Yellow/Black	Yellow/Black	N/A	N/A
VSS (vehicle speed sensor)	(DATA)	Pink	Green/White	N/A	Pink



INSTALL GUIDE CHRYSLER TOWN AND COUNTRY 2008-2011

RETAINS STEERING WHEEL CONTROLS, UCONNECT, UCONNECT BLUETOOTH, AND MORE!



PRODUCTS REQUIRED

iDatalink Maestro RR Radio Replacement Interface
iDatalink Maestro CH1 Installation Harness

OPTIONAL ACCESSORIES

ADS-HRN(AV)-CHR01

PROGRAMMED FIRMWARE

ADS-RR(SR)-CHR01-DS

NOTICE: Automotive Data Solutions Inc. (ADS) recommends having this installation performed by a certified technician. Logos and trademarks used here in are the properties of their respective owners.

WELCOME

Congratulations on the purchase of your iDatalink Maestro RR Radio replacement solution. You are now a few simple steps away from enjoying your new car radio with enhanced features.

Before starting your installation, please ensure that your iDatalink Maestro module is programmed with the correct firmware and that you carefully review the Installation Diagram and Vehicle Wire Reference Chart.

Please note that Maestro RR will only retain functionalities that were originally available in the vehicle.

NEED HELP?

 **1 866 427-2999**

 **support@idatalink.com**

 **maestro.idatalink.com/support**
www.12voltdata.com/forum

DURING INSTALLATION

Installation Instructions	3
Wiring Diagram	5
Vehicle Wire Reference Chart	6
Radio Wire Reference Chart	7

INSTALLATION INSTRUCTIONS

STEP 1

- Unbox the aftermarket radio and locate its main harness.
- Connect the wires shown on the next page from aftermarket radio main harness to the CH1 T-harness and match the wire functions.

STEP 2

- Remove the factory radio.
- Access the main 22 pin factory radio connector **(2.1)** and determine if you have a factory amplifier.

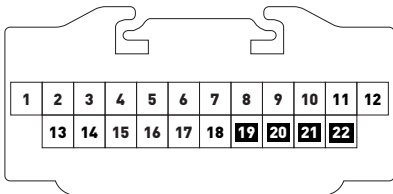


Fig. 2.1

If you don't have wires in PIN 19, 20, 21 and 22, you have a factory amplifier:

- Plug the female GREEN connector to the male GREEN connector of your CH1 T-harness.
- Plug the female WHITE connector to the male WHITE connector of your CH1 T-harness.

If you have wires in PIN 19, 20, 21 and 22, you don't have a factory amplifier:

- Plug the female GREEN connector to the male WHITE connector of your CH1 T-harness.
- Plug the female WHITE connector to the male GREEN connector of your CH1 T-harness.

STEP 3

- Plug the female BLACK connector to the male BLACK connector.

STEP 4

- Connect the factory harness to the CH1 T-harness.

STEP 5

- Access the OBDII connector located under the driver side dashboard.
- Connect the RED/BROWN wire of the CH1 T-harness to the wire located at pin 6 of the OBDII connector. (See the vehicle wire chart reference for wire colors)
- Connect the YELLOW/BROWN wire of the CH1 T-harness to the wire located at pin 14 of the OBDII connector. (See the vehicle wire chart reference for wire colors)

STEP 6

- Plug the aftermarket radio harnesses into the aftermarket radio.
- Plug the Data cable to the data port of the aftermarket radio.
- Insert the Audio cable into the iDatalink 3.5 mm audio jack of the aftermarket radio.

STEP 7

- Connect all the harnesses to the Maestro RR module then proceed to module setup.

MODULE SETUP:

- Insert the key into the ignition and turn it to the ACC position.
- The Radio will turn on and the setup screen will appear. Choose one of the two Bluetooth OPTIONS below:

OPTION 1:

- This option lets the factory Bluetooth system handle calls and the Factory and the aftermarket Bluetooth system stream Audio.
- To use the factory Bluetooth system: (The factory Bluetooth system is OFF by default)
- Scroll down to Chrysler setup and press SET
- Go to the OEM Bluetooth and press ON
- Press the BACK button (circular shaped arrow)
- Scroll down then press FINISH

INSTALLATION INSTRUCTIONS

OPTION 2:

This option lets the aftermarket Bluetooth system handle calls and stream Audio. To use the aftermarket Bluetooth system:

- Scroll to the bottom of the setup screen and press FINISH
- Install the aftermarket microphone

WARNING: Aftermarket Bluetooth system If your phone is paired to the Factory Bluetooth system you must delete the pairing from the phone to the Factory Bluetooth system.

For more information and programming procedures, see the aftermarket Bluetooth system and the factory Bluetooth system owner's manuals.

The module is now programmed and ready to be used. To access the new menus, press on CHRYSLER FEATURES.

Insert the aftermarket radio in the dashboard housing and test all the functionalities. Reassemble the dashboard carefully.

TROUBLESHOOTING TIPS:

- To reset the module back its factory settings, turn the key to the OFF position then disconnect all connectors from the module. Press and hold the module's programming button and connect all the connectors back to the module. Wait, the module's LED will flash RED rapidly (this may take up to 10 seconds). Release the programming button. Wait, the LED will turn solid GREEN for 2 seconds.
- For technical assistance call 1-866-427-2999 or e-mail "support@idatalink.com". Visit us at "maestro.idatalink.com/support" and "www.12voltdata.com/forum/"

OEM BLUETOOTH SETUP

Only one Bluetooth system can be set for hands free calling. This must be determined before installation. Both the factory and aftermarket systems can be used for Bluetooth audio streaming. If the aftermarket Bluetooth is chosen for hands free calling, the aftermarket microphone must be installed in the vehicle.

2013 Kenwood Radios:

For these radio models, the OEM Bluetooth is turned OFF by default. To turn ON the OEM Bluetooth, insert the key into the ignition and turn it to the ACC position. The Radio will turn on

and the setup screen will appear. Scroll to the bottom and select the vehicle set up menu by pressing SET. Go to the option OEM Bluetooth and select ON. Press the return arrow then scroll to the bottom of the page select FINISH.

2014 Kenwood Radios:

For these radio models, the OEM Bluetooth is turned ON by default. To turn OFF the OEM Bluetooth, insert the key into the ignition and turn it to the ACC position. The radio will turn ON and the setup screen will appear. Scroll to the bottom and select the vehicle set up menu by pressing SET. Go to the option OEM Bluetooth and select OFF.

2014 Alpine Radios:

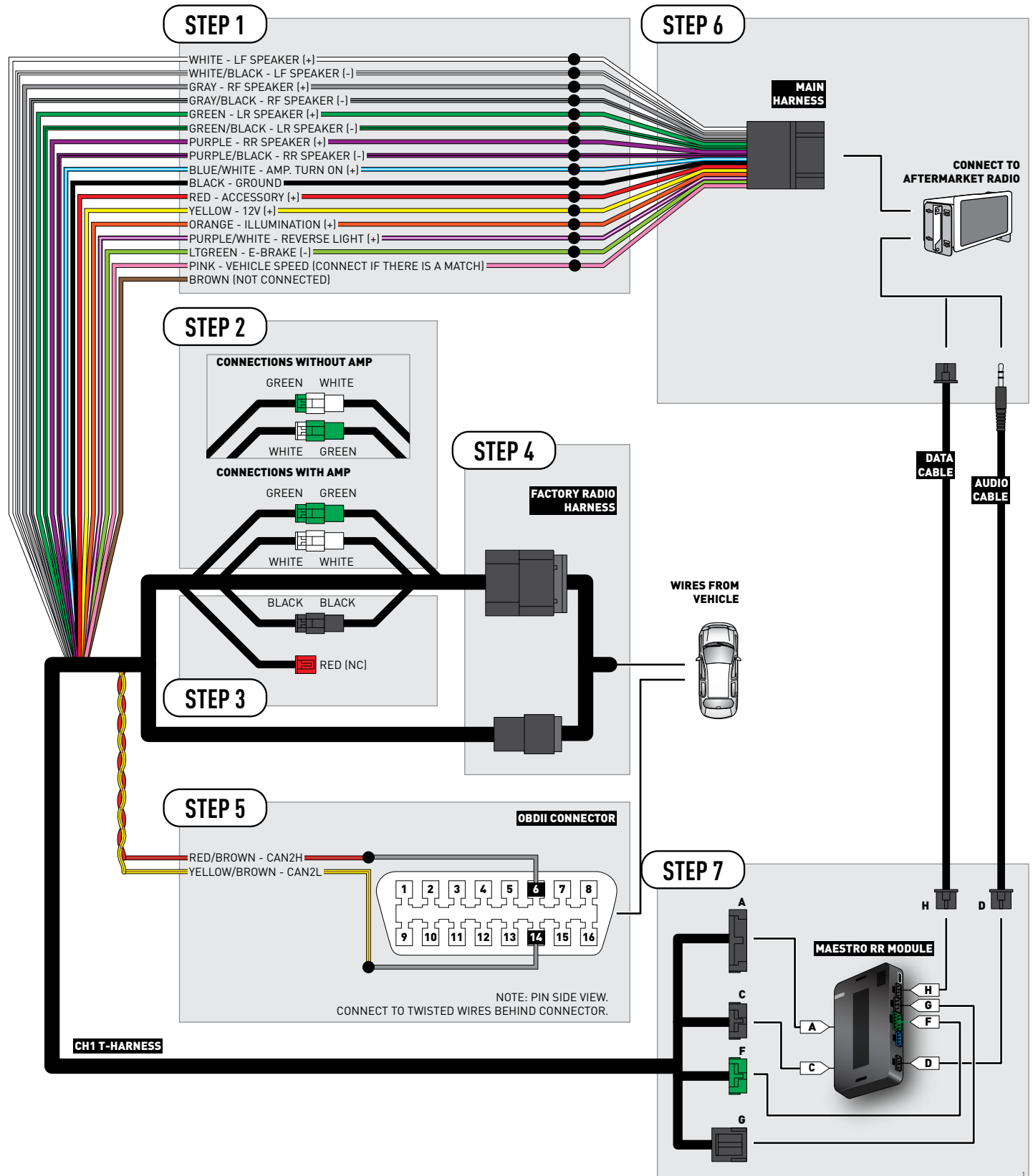
For these radio models, the OEM Bluetooth is turned ON by default. To turn OFF the OEM Bluetooth, insert the key into the ignition and turn it to the ACC position. The radio will turn ON and the main screen will appear. Select the settings button, in the top right corner, then select GENERAL. Select INTEGRATION SETUP then select HANDS FREE CONNECTION. Two options will be available ON or OFF, select OFF.

2014 Pioneer Radios:

For these radio models, the OEM Bluetooth is turned ON by default. To turn OFF the OEM Bluetooth, insert the key into the ignition and turn it to the ACC position. The radio will turn ON and the main screen will appear. Select SETUP, then SYSTEM SETUP, then IDATALINK SETUP and turn OEM Bluetooth to OFF.

Note: Bluetooth audio streaming is not supported by 2014 Pioneer radios.

WIRING DIAGRAM



VEHICLE WIRE REFERENCE CHART

Wire Description	Connector Name	Connector Color	Connector Type	Position	Wire Color	Polarity	Wire Location
CAN2H	OBDII	~	16 pin	06	White/LtBlue	[DATA]	OBDII connector, under driver side dash
CAN2L	OBDII	~	16 pin	14	White/DkBlue	[DATA]	OBDII connector, under driver side dash

RADIO WIRE REFERENCE CHART

Wire Description	Polarity	Wire Color on Maestro T-Harness	Wire Color on Alpine cable	Wire Color on Kenwood cable	Wire Color on Pioneer cable
Illumination	(+)	Orange	N/A	Orange/White	Orange/White
Reverse Light	(+)	Purple/White	Orange/White	Purple/White	Purple/White
E-Brake	(-)	Lt Green	Yellow/Blue	Lt Green	Lt Green
Foot Brake	(+)	Yellow/Black	Yellow/Black	N/A	N/A
VSS (vehicle speed sensor)	(DATA)	Pink	Green/White	N/A	Pink



INSTALL GUIDE CHRYSLER TOWN AND COUNTRY 2012-2016

RETAINS STEERING WHEEL CONTROLS, UCONNECT, UCONNECT BLUETOOTH, AND MORE!



PRODUCTS REQUIRED

iDatalink Maestro RR Radio Replacement Interface
iDatalink Maestro CH1 Installation Harness

OPTIONAL ACCESSORIES

ADS-HRN(AV)-CHR01

PROGRAMMED FIRMWARE

ADS-RR(SR)-CHR01-DS

NOTICE: Automotive Data Solutions Inc. (ADS) recommends having this installation performed by a certified technician. Logos and trademarks used here in are the properties of their respective owners.

WELCOME

Congratulations on the purchase of your iDatalink Maestro RR Radio replacement solution. You are now a few simple steps away from enjoying your new car radio with enhanced features.


Before starting your installation, please ensure that your iDatalink Maestro module is programmed with the correct firmware and that you carefully review the Installation Diagram and Vehicle Wire Reference Chart.

Please note that Maestro RR will only retain functionalities that were originally available in the vehicle.

NEED HELP?

 **1 866 427-2999**

 **support@idatalink.com**

 **maestro.idatalink.com/support**
www.12voltdata.com/forum

DURING INSTALLATION

Installation Instructions	3
Wiring Diagram	5
Vehicle Wire Reference Chart	6
Radio Wire Reference Chart	7

INSTALLATION INSTRUCTIONS

STEP 1

- Unbox the aftermarket radio and locate its main harness.
- Connect the wires shown on the next page from aftermarket radio main harness to the CH1 T-harness and match the wire functions.

STEP 2

- Remove the factory radio.
- Access the main 22 pin factory radio connector **(2.1)** and determine if you have a factory amplifier.

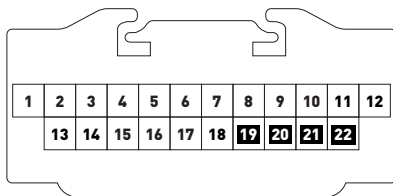


Fig. 2.1

If you don't have wires in PIN 19, 20, 21 and 22, you have a factory amplifier:

- Plug the female GREEN connector to the male GREEN connector of your CH1 T-harness.
- Plug the female WHITE connector to the male WHITE connector of your CH1 T-harness.

If you have wires in PIN 19, 20, 21 and 22, you don't have a factory amplifier:

- Plug the female GREEN connector to the male WHITE connector of your CH1 T-harness.
- Plug the female WHITE connector to the male GREEN connector of your CH1 T-harness.

STEP 3

- Plug the female BLACK connector to the male BLACK connector.

STEP 4

- Connect the factory harness to the CH1 T-harness.

STEP 5

- Access the OBDII connector located under the driver side dashboard.
- Connect the RED/BROWN wire of the CH1 T-harness to the wire located at pin 6 of the OBDII connector. (See the vehicle wire chart reference for wire colors)
- Connect the YELLOW/BROWN wire of the CH1 T-harness to the wire located at pin 14 of the OBDII connector. (See the vehicle wire chart reference for wire colors)

STEP 6

- Plug the aftermarket radio harnesses into the aftermarket radio.
- Plug the Data cable to the data port of the aftermarket radio.
- Insert the Audio cable into the iDatalink 3.5 mm audio jack of the aftermarket radio.

STEP 7

- Connect all the harnesses to the Maestro RR module then proceed to module setup.

MODULE SETUP:

- Insert the key into the ignition and turn it to the ACC position.
- The Radio will turn on and the setup screen will appear. Choose one of the two Bluetooth OPTIONS below:

OPTION 1:

- This option lets the factory Bluetooth system handle calls and the Factory and the aftermarket Bluetooth system stream Audio.
- To use the factory Bluetooth system: (The factory Bluetooth system is OFF by default)
- Scroll down to Chrysler setup and press SET
- Go to the OEM Bluetooth and press ON
- Press the BACK button (circular shaped arrow)
- Scroll down then press FINISH

INSTALLATION INSTRUCTIONS

OPTION 2:

This option lets the aftermarket Bluetooth system handle calls and stream Audio. To use the aftermarket Bluetooth system:

- Scroll to the bottom of the setup screen and press FINISH
- Install the aftermarket microphone

WARNING: Aftermarket Bluetooth system If your phone is paired to the Factory Bluetooth system you must delete the pairing from the phone to the Factory Bluetooth system.

For more information and programming procedures, see the aftermarket Bluetooth system and the factory Bluetooth system owner's manuals.

The module is now programmed and ready to be used. To access the new menus, press on CHRYSLER FEATURES.

Insert the aftermarket radio in the dashboard housing and test all the functionalities. Reassemble the dashboard carefully.

TROUBLESHOOTING TIPS:

- To reset the module back its factory settings, turn the key to the OFF position then disconnect all connectors from the module. Press and hold the module's programming button and connect all the connectors back to the module. Wait, the module's LED will flash RED rapidly (this may take up to 10 seconds). Release the programming button. Wait, the LED will turn solid GREEN for 2 seconds.
- For technical assistance call 1-866-427-2999 or e-mail "support@idatalink.com". Visit us at "maestro.idatalink.com/support" and "www.12voltdata.com/forum/"

OEM BLUETOOTH SETUP

Only one Bluetooth system can be set for hands free calling. This must be determined before installation. Both the factory and aftermarket systems can be used for Bluetooth audio streaming. If the aftermarket Bluetooth is chosen for hands free calling, the aftermarket microphone must be installed in the vehicle.

2013 Kenwood Radios:

For these radio models, the OEM Bluetooth is turned OFF by default. To turn ON the OEM Bluetooth, insert the key into the ignition and turn it to the ACC position. The Radio will turn on

and the setup screen will appear. Scroll to the bottom and select the vehicle set up menu by pressing SET. Go to the option OEM Bluetooth and select ON. Press the return arrow then scroll to the bottom of the page select FINISH.

2014 Kenwood Radios:

For these radio models, the OEM Bluetooth is turned ON by default. To turn OFF the OEM Bluetooth, insert the key into the ignition and turn it to the ACC position. The radio will turn ON and the setup screen will appear. Scroll to the bottom and select the vehicle set up menu by pressing SET. Go to the option OEM Bluetooth and select OFF.

2014 Alpine Radios:

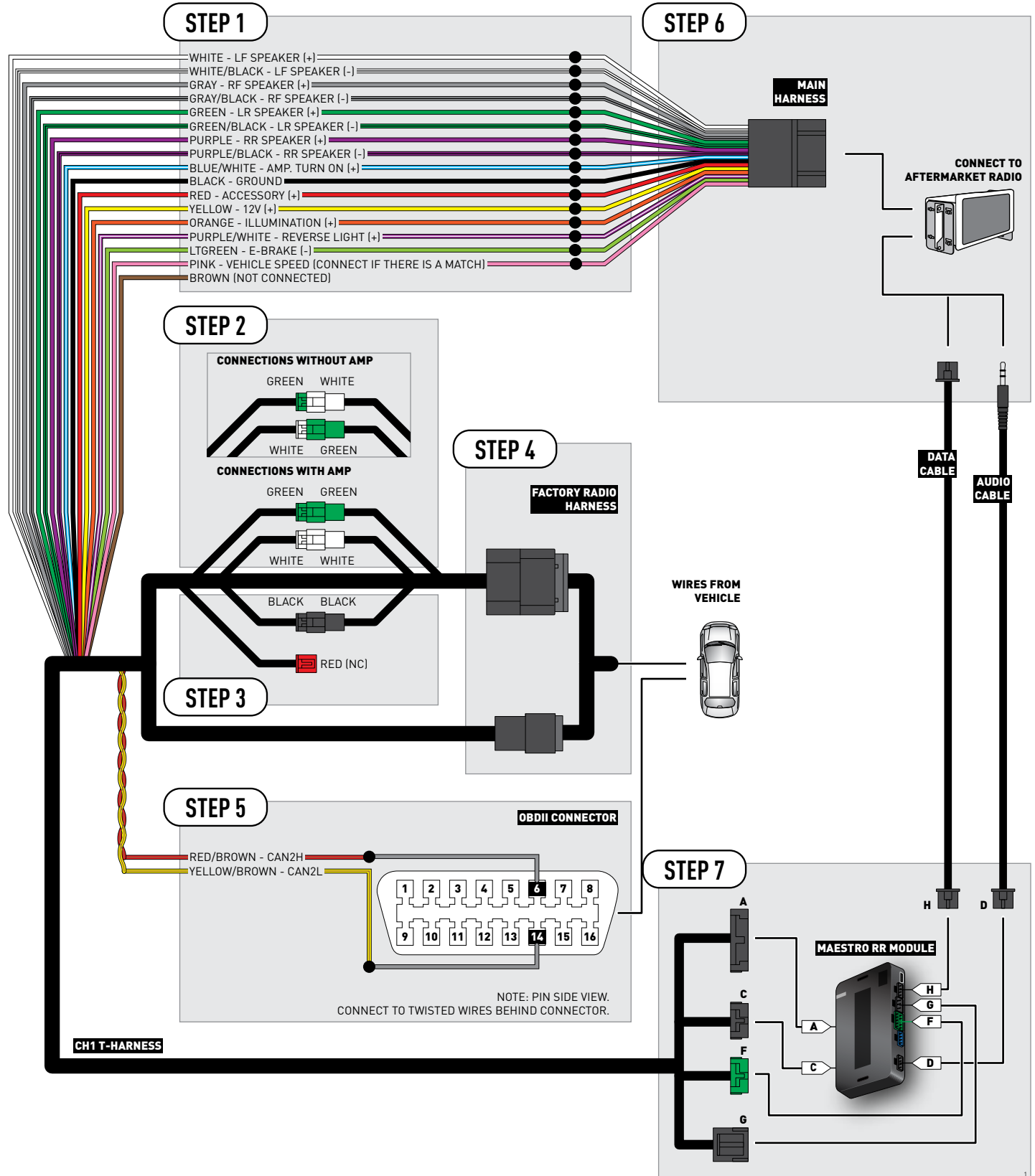
For these radio models, the OEM Bluetooth is turned ON by default. To turn OFF the OEM Bluetooth, insert the key into the ignition and turn it to the ACC position. The radio will turn ON and the main screen will appear. Select the settings button, in the top right corner, then select GENERAL. Select INTEGRATION SETUP then select HANDS FREE CONNECTION. Two options will be available ON or OFF, select OFF.

2014 Pioneer Radios:

For these radio models, the OEM Bluetooth is turned ON by default. To turn OFF the OEM Bluetooth, insert the key into the ignition and turn it to the ACC position. The radio will turn ON and the main screen will appear. Select SETUP, then SYSTEM SETUP, then IDATALINK SETUP and turn OEM Bluetooth to OFF.

Note: Bluetooth audio streaming is not supported by 2014 Pioneer radios.

WIRING DIAGRAM



VEHICLE WIRE REFERENCE CHART

Wire Description	Connector Name	Connector Color	Connector Type	Position	Wire Color	Polarity	Wire Location
CAN2H	OBDII	~	16 pin	06	White/LtBlue	[DATA]	OBDII connector, under driver side dash
CAN2L	OBDII	~	16 pin	14	White	[DATA]	OBDII connector, under driver side dash

RADIO WIRE REFERENCE CHART

Wire Description	Polarity	Wire Color on Maestro T-Harness	Wire Color on Alpine cable	Wire Color on Kenwood cable	Wire Color on Pioneer cable
Illumination	(+)	Orange	N/A	Orange/White	Orange/White
Reverse Light	(+)	Purple/White	Orange/White	Purple/White	Purple/White
E-Brake	(-)	Lt Green	Yellow/Blue	Lt Green	Lt Green
Foot Brake	(+)	Yellow/Black	Yellow/Black	N/A	N/A
VSS (vehicle speed sensor)	(DATA)	Pink	Green/White	N/A	Pink



INSTALL GUIDE DODGE AVENGER 2008-2014

RETAINS STEERING WHEEL CONTROLS, UCONNECT, UCONNECT BLUETOOTH, AND MORE!



PRODUCTS REQUIRED

iDatalink Maestro RR Radio Replacement Interface
iDatalink Maestro CH1 Installation Harness

OPTIONAL ACCESSORIES

ADS-HRN(AV)-CHR01

PROGRAMMED FIRMWARE

ADS-RR(SR)-CHR01-DS

NOTICE: Automotive Data Solutions Inc. (ADS) recommends having this installation performed by a certified technician. Logos and trademarks used here in are the properties of their respective owners.

WELCOME

Congratulations on the purchase of your iDatalink Maestro RR Radio replacement solution. You are now a few simple steps away from enjoying your new car radio with enhanced features.


Before starting your installation, please ensure that your iDatalink Maestro module is programmed with the correct firmware and that you carefully review the Installation Diagram and Vehicle Wire Reference Chart.

Please note that Maestro RR will only retain functionalities that were originally available in the vehicle.

NEED HELP?

 **1 866 427-2999**

 **support@idatalink.com**

 **maestro.idatalink.com/support**
www.12voltdata.com/forum

DURING INSTALLATION

Installation Instructions	3
Wiring Diagram	5
Vehicle Wire Reference Chart	6
Radio Wire Reference Chart	7

INSTALLATION INSTRUCTIONS

STEP 1

- Unbox the aftermarket radio and locate its main harness.
- Connect the wires shown on the next page from aftermarket radio main harness to the CH1 T-harness and match the wire functions.

STEP 2

- Remove the factory radio.
- Access the main 22 pin factory radio connector **(2.1)** and determine if you have a factory amplifier.

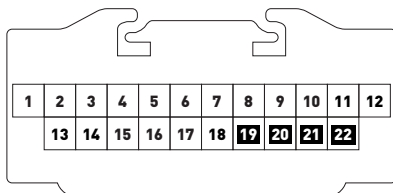


Fig. 2.1

If you don't have wires in PIN 19, 20, 21 and 22, you have a factory amplifier:

- Plug the female GREEN connector to the male GREEN connector of your CH1 T-harness.
- Plug the female WHITE connector to the male WHITE connector of your CH1 T-harness.

If you have wires in PIN 19, 20, 21 and 22, you don't have a factory amplifier:

- Plug the female GREEN connector to the male WHITE connector of your CH1 T-harness.
- Plug the female WHITE connector to the male GREEN connector of your CH1 T-harness.

STEP 3

- Plug the female RED connector to the male BLACK connector.

STEP 4

- Connect the factory harness to the CH1 T-harness.

STEP 5

- Access the OBDII connector located under the driver side dashboard.
- Connect the RED/BROWN wire of the CH1 T-harness to the wire located at pin 6 of the OBDII connector. (See the vehicle wire chart reference for wire colors)
- Connect the YELLOW/BROWN wire of the CH1 T-harness to the wire located at pin 14 of the OBDII connector. (See the vehicle wire chart reference for wire colors)

STEP 6

- Plug the aftermarket radio harnesses into the aftermarket radio.
- Plug the Data cable to the data port of the aftermarket radio.
- Insert the Audio cable into the iDatalink 3.5 mm audio jack of the aftermarket radio.

STEP 7

- Connect all the harnesses to the Maestro RR module then proceed to module setup.

MODULE SETUP:

- Insert the key into the ignition and turn it to the ACC position.
- The Radio will turn on and the setup screen will appear. Choose one of the two Bluetooth OPTIONS below:

OPTION 1:

- This option lets the factory Bluetooth system handle calls and the Factory and the aftermarket Bluetooth system stream Audio.
- To use the factory Bluetooth system: (The factory Bluetooth system is OFF by default)
- Scroll down to Chrysler setup and press SET
- Go to the OEM Bluetooth and press ON
- Press the BACK button (circular shaped arrow)
- Scroll down then press FINISH

INSTALLATION INSTRUCTIONS

OPTION 2:

This option lets the aftermarket Bluetooth system handle calls and stream Audio. To use the aftermarket Bluetooth system:

- Scroll to the bottom of the setup screen and press FINISH
- Install the aftermarket microphone

WARNING: Aftermarket Bluetooth system If your phone is paired to the Factory Bluetooth system you must delete the pairing from the phone to the Factory Bluetooth system.

For more information and programming procedures, see the aftermarket Bluetooth system and the factory Bluetooth system owner's manuals.

The module is now programmed and ready to be used. To access the new menus, press on CHRYSLER FEATURES.

Insert the aftermarket radio in the dashboard housing and test all the functionalities. Reassemble the dashboard carefully.

TROUBLESHOOTING TIPS:

- To reset the module back its factory settings, turn the key to the OFF position then disconnect all connectors from the module. Press and hold the module's programming button and connect all the connectors back to the module. Wait, the module's LED will flash RED rapidly (this may take up to 10 seconds). Release the programming button. Wait, the LED will turn solid GREEN for 2 seconds.
- For technical assistance call 1-866-427-2999 or e-mail "support@idatalink.com". Visit us at "maestro.idatalink.com/support" and "www.12voltdata.com/forum/"

OEM BLUETOOTH SETUP

Only one Bluetooth system can be set for hands free calling. This must be determined before installation. Both the factory and aftermarket systems can be used for Bluetooth audio streaming. If the aftermarket Bluetooth is chosen for hands free calling, the aftermarket microphone must be installed in the vehicle.

2013 Kenwood Radios:

For these radio models, the OEM Bluetooth is turned OFF by default. To turn ON the OEM Bluetooth, insert the key into the ignition and turn it to the ACC position. The Radio will turn on

and the setup screen will appear. Scroll to the bottom and select the vehicle set up menu by pressing SET. Go to the option OEM Bluetooth and select ON. Press the return arrow then scroll to the bottom of the page select FINISH.

2014 Kenwood Radios:

For these radio models, the OEM Bluetooth is turned ON by default. To turn OFF the OEM Bluetooth, insert the key into the ignition and turn it to the ACC position. The radio will turn ON and the setup screen will appear. Scroll to the bottom and select the vehicle set up menu by pressing SET. Go to the option OEM Bluetooth and select OFF.

2014 Alpine Radios:

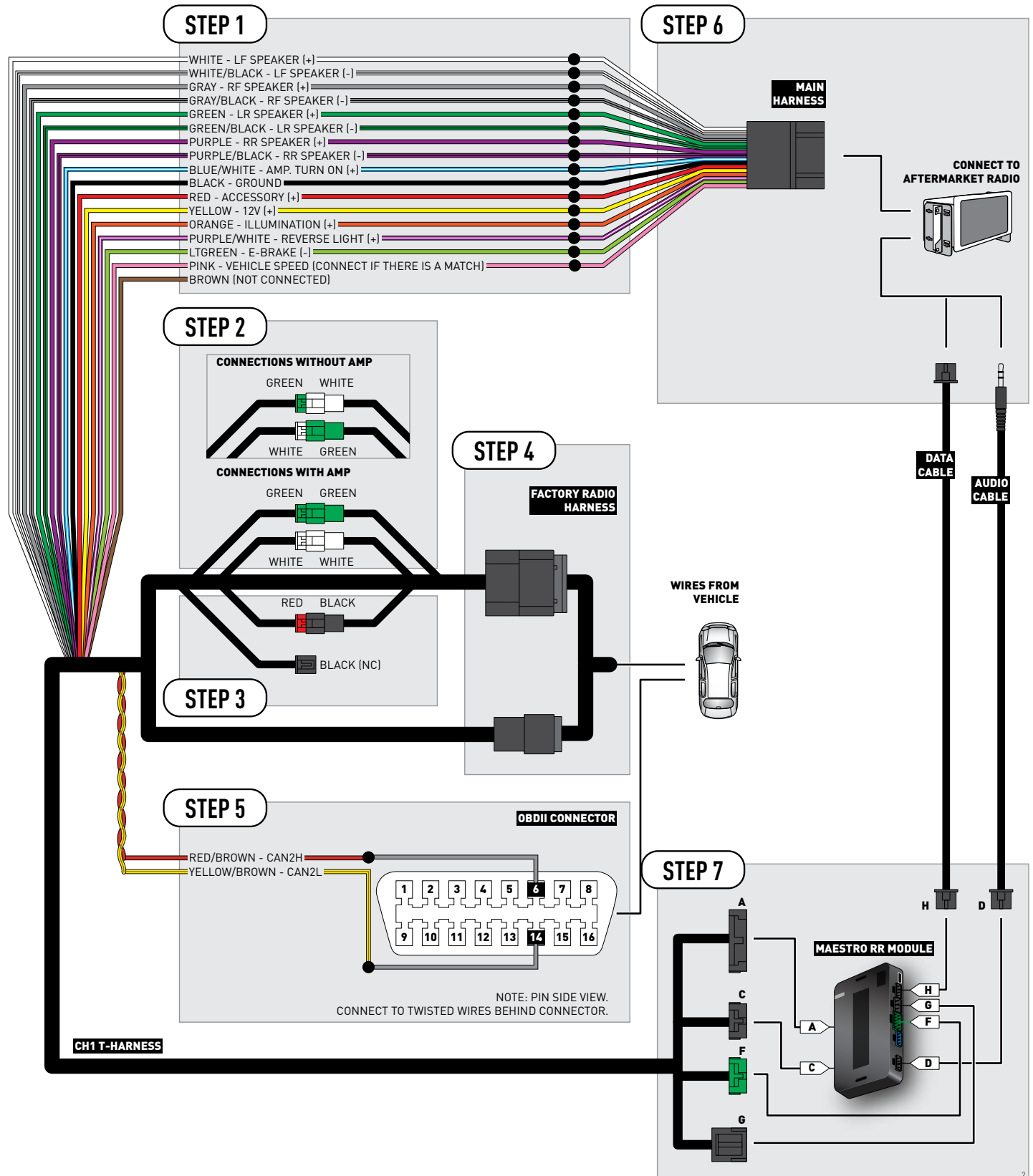
For these radio models, the OEM Bluetooth is turned ON by default. To turn OFF the OEM Bluetooth, insert the key into the ignition and turn it to the ACC position. The radio will turn ON and the main screen will appear. Select the settings button, in the top right corner, then select GENERAL. Select INTEGRATION SETUP then select HANDS FREE CONNECTION. Two options will be available ON or OFF, select OFF.

2014 Pioneer Radios:

For these radio models, the OEM Bluetooth is turned ON by default. To turn OFF the OEM Bluetooth, insert the key into the ignition and turn it to the ACC position. The radio will turn ON and the main screen will appear. Select SETUP, then SYSTEM SETUP, then IDATALINK SETUP and turn OEM Bluetooth to OFF.

Note: Bluetooth audio streaming is not supported by 2014 Pioneer radios.

WIRING DIAGRAM



VEHICLE WIRE REFERENCE CHART

Wire Description	Connector Name	Connector Color	Connector Type	Position	Wire Color	Polarity	Wire Location
CAN2H	OBDII	~	16 pin	06	White/LtBlue	[DATA]	OBDII connector, under driver side dash
CAN2L	OBDII	~	16 pin	14	White/DkBlue	[DATA]	OBDII connector, under driver side dash

RADIO WIRE REFERENCE CHART

Wire Description	Polarity	Wire Color on Maestro T-Harness	Wire Color on Alpine cable	Wire Color on Kenwood cable	Wire Color on Pioneer cable
Illumination	(+)	Orange	N/A	Orange/White	Orange/White
Reverse Light	(+)	Purple/White	Orange/White	Purple/White	Purple/White
E-Brake	(-)	Lt Green	Yellow/Blue	Lt Green	Lt Green
Foot Brake	(+)	Yellow/Black	Yellow/Black	N/A	N/A
VSS (vehicle speed sensor)	(DATA)	Pink	Green/White	N/A	Pink



INSTALL GUIDE DODGE CALIBER 2009-2012

RETAINS STEERING WHEEL CONTROLS, UCONNECT, UCONNECT BLUETOOTH, AND MORE!



PRODUCTS REQUIRED

iDatalink Maestro RR Radio Replacement Interface
iDatalink Maestro CH1 Installation Harness

OPTIONAL ACCESSORIES

ADS-HRN(AV)-CHR01

PROGRAMMED FIRMWARE

ADS-RR(SR)-CHR01-DS

NOTICE: Automotive Data Solutions Inc. (ADS) recommends having this installation performed by a certified technician. Logos and trademarks used here in are the properties of their respective owners.

WELCOME

Congratulations on the purchase of your iDatalink Maestro RR Radio replacement solution. You are now a few simple steps away from enjoying your new car radio with enhanced features.


Before starting your installation, please ensure that your iDatalink Maestro module is programmed with the correct firmware and that you carefully review the Installation Diagram and Vehicle Wire Reference Chart.

Please note that Maestro RR will only retain functionalities that were originally available in the vehicle.

NEED HELP?

 **1 866 427-2999**

 **support@idatalink.com**

 **maestro.idatalink.com/support
www.12voltdata.com/forum**

DURING INSTALLATION

Installation Instructions	3
Wiring Diagram	5
Vehicle Wire Reference Chart	6
Radio Wire Reference Chart	7

INSTALLATION INSTRUCTIONS

STEP 1

- Unbox the aftermarket radio and locate its main harness.
- Connect the wires shown on the next page from aftermarket radio main harness to the CH1 T-harness and match the wire functions.

STEP 2

- Remove the factory radio.
- Access the main 22 pin factory radio connector **(2.1)** and determine if you have a factory amplifier.

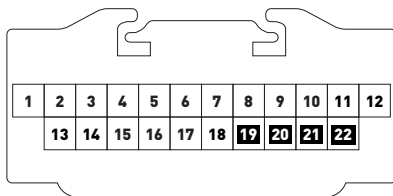


Fig. 2.1

If you don't have wires in PIN 19, 20, 21 and 22, you have a factory amplifier:

- Plug the female GREEN connector to the male GREEN connector of your CH1 T-harness.
- Plug the female WHITE connector to the male WHITE connector of your CH1 T-harness.

If you have wires in PIN 19, 20, 21 and 22, you don't have a factory amplifier:

- Plug the female GREEN connector to the male WHITE connector of your CH1 T-harness.
- Plug the female WHITE connector to the male GREEN connector of your CH1 T-harness.

STEP 3

- Plug the female RED connector to the male BLACK connector.

STEP 4

- Connect the factory harness to the CH1 T-harness.

STEP 5

- Access the OBDII connector located under the driver side dashboard.
- Connect the RED/BROWN wire of the CH1 T-harness to the wire located at pin 6 of the OBDII connector. (See the vehicle wire chart reference for wire colors)
- Connect the YELLOW/BROWN wire of the CH1 T-harness to the wire located at pin 14 of the OBDII connector. (See the vehicle wire chart reference for wire colors)

STEP 6

- Plug the aftermarket radio harnesses into the aftermarket radio.
- Plug the Data cable to the data port of the aftermarket radio.
- Insert the Audio cable into the iDatalink 3.5 mm audio jack of the aftermarket radio.

STEP 7

- Connect all the harnesses to the Maestro RR module then proceed to module setup.

MODULE SETUP:

- Insert the key into the ignition and turn it to the ACC position.
- The Radio will turn on and the setup screen will appear. Choose one of the two Bluetooth OPTIONS below:

OPTION 1:

- This option lets the factory Bluetooth system handle calls and the Factory and the aftermarket Bluetooth system stream Audio.
- To use the factory Bluetooth system: (The factory Bluetooth system is OFF by default)
- Scroll down to Chrysler setup and press SET
- Go to the OEM Bluetooth and press ON
- Press the BACK button (circular shaped arrow)
- Scroll down then press FINISH

INSTALLATION INSTRUCTIONS

OPTION 2:

This option lets the aftermarket Bluetooth system handle calls and stream Audio. To use the aftermarket Bluetooth system:

- Scroll to the bottom of the setup screen and press FINISH
- Install the aftermarket microphone

WARNING: Aftermarket Bluetooth system If your phone is paired to the Factory Bluetooth system you must delete the pairing from the phone to the Factory Bluetooth system.

For more information and programming procedures, see the aftermarket Bluetooth system and the factory Bluetooth system owner's manuals.

The module is now programmed and ready to be used. To access the new menus, press on CHRYSLER FEATURES.

Insert the aftermarket radio in the dashboard housing and test all the functionalities. Reassemble the dashboard carefully.

TROUBLESHOOTING TIPS:

- To reset the module back its factory settings, turn the key to the OFF position then disconnect all connectors from the module. Press and hold the module's programming button and connect all the connectors back to the module. Wait, the module's LED will flash RED rapidly (this may take up to 10 seconds). Release the programming button. Wait, the LED will turn solid GREEN for 2 seconds.
- For technical assistance call 1-866-427-2999 or e-mail "support@idatalink.com". Visit us at "maestro.idatalink.com/support" and "www.12voltdata.com/forum/"

OEM BLUETOOTH SETUP

Only one Bluetooth system can be set for hands free calling. This must be determined before installation. Both the factory and aftermarket systems can be used for Bluetooth audio streaming. If the aftermarket Bluetooth is chosen for hands free calling, the aftermarket microphone must be installed in the vehicle.

2013 Kenwood Radios:

For these radio models, the OEM Bluetooth is turned OFF by default. To turn ON the OEM Bluetooth, insert the key into the ignition and turn it to the ACC position. The Radio will turn on

and the setup screen will appear. Scroll to the bottom and select the vehicle set up menu by pressing SET. Go to the option OEM Bluetooth and select ON. Press the return arrow then scroll to the bottom of the page select FINISH.

2014 Kenwood Radios:

For these radio models, the OEM Bluetooth is turned ON by default. To turn OFF the OEM Bluetooth, insert the key into the ignition and turn it to the ACC position. The radio will turn ON and the setup screen will appear. Scroll to the bottom and select the vehicle set up menu by pressing SET. Go to the option OEM Bluetooth and select OFF.

2014 Alpine Radios:

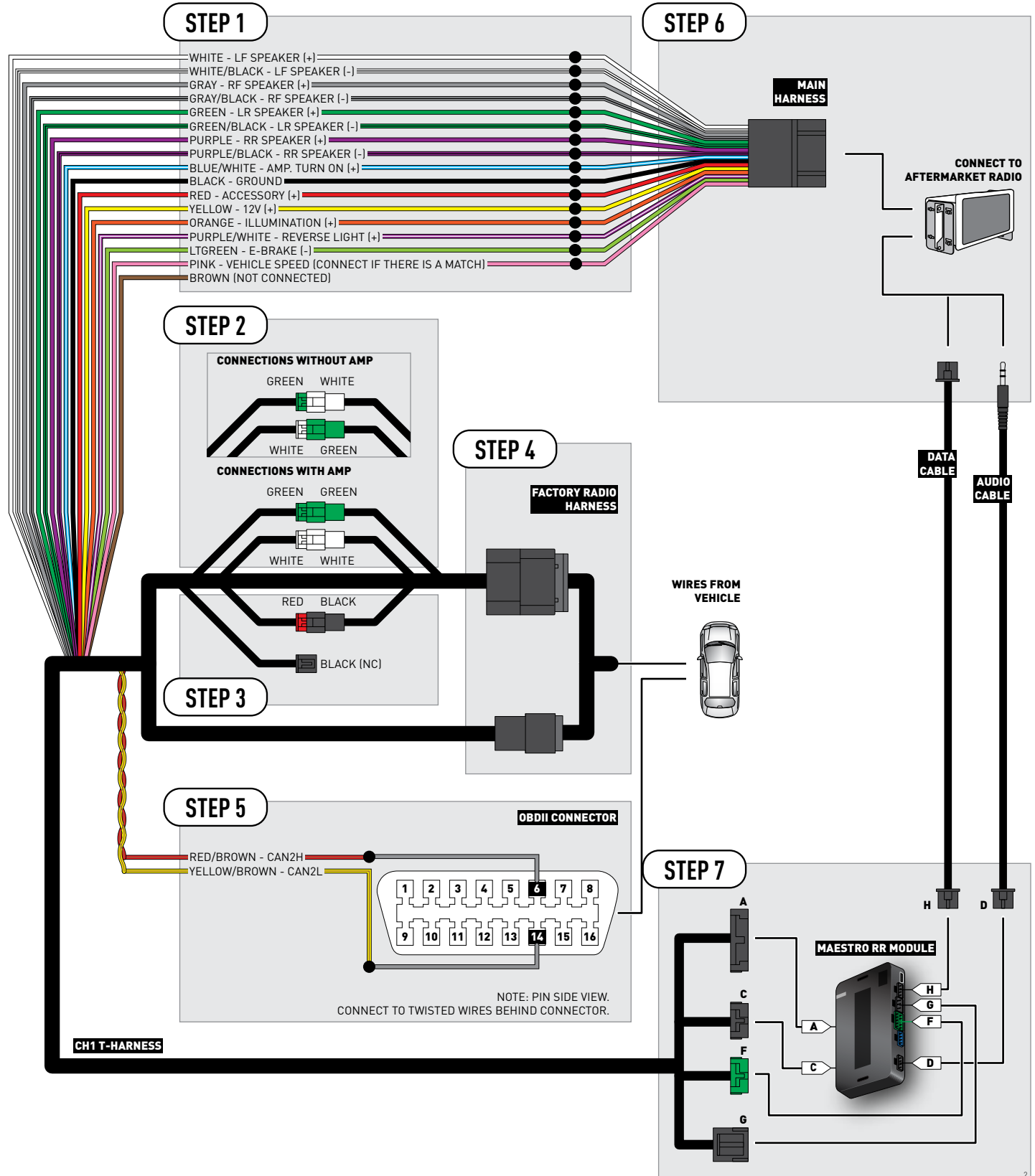
For these radio models, the OEM Bluetooth is turned ON by default. To turn OFF the OEM Bluetooth, insert the key into the ignition and turn it to the ACC position. The radio will turn ON and the main screen will appear. Select the settings button, in the top right corner, then select GENERAL. Select INTEGRATION SETUP then select HANDS FREE CONNECTION. Two options will be available ON or OFF, select OFF.

2014 Pioneer Radios:

For these radio models, the OEM Bluetooth is turned ON by default. To turn OFF the OEM Bluetooth, insert the key into the ignition and turn it to the ACC position. The radio will turn ON and the main screen will appear. Select SETUP, then SYSTEM SETUP, then IDATALINK SETUP and turn OEM Bluetooth to OFF.

Note: Bluetooth audio streaming is not supported by 2014 Pioneer radios.

WIRING DIAGRAM



VEHICLE WIRE REFERENCE CHART

Wire Description	Connector Name	Connector Color	Connector Type	Position	Wire Color	Polarity	Wire Location
CAN2H	OBDII	~	16 pin	06	White/Tan	[DATA]	OBDII connector, under driver side dash
CAN2L	OBDII	~	16 pin	14	White/DkBlue	[DATA]	OBDII connector, under driver side dash

RADIO WIRE REFERENCE CHART

Wire Description	Polarity	Wire Color on Maestro T-Harness	Wire Color on Alpine cable	Wire Color on Kenwood cable	Wire Color on Pioneer cable
Illumination	(+)	Orange	N/A	Orange/White	Orange/White
Reverse Light	(+)	Purple/White	Orange/White	Purple/White	Purple/White
E-Brake	(-)	Lt Green	Yellow/Blue	Lt Green	Lt Green
Foot Brake	(+)	Yellow/Black	Yellow/Black	N/A	N/A
VSS (vehicle speed sensor)	(DATA)	Pink	Green/White	N/A	Pink



INSTALL GUIDE DODGE CHALLENGER 2008-2014

RETAINS STEERING WHEEL CONTROLS, UCONNECT, UCONNECT BLUETOOTH, AND MORE!



PRODUCTS REQUIRED

iDatalink Maestro RR Radio Replacement Interface
iDatalink Maestro CH1 Installation Harness

OPTIONAL ACCESSORIES

ADS-HRN(AV)-CHR01

PROGRAMMED FIRMWARE

ADS-RR(SR)-CHR01-DS

NOTICE: Automotive Data Solutions Inc. (ADS) recommends having this installation performed by a certified technician. Logos and trademarks used here in are the properties of their respective owners.

WELCOME

Congratulations on the purchase of your iDatalink Maestro RR Radio replacement solution. You are now a few simple steps away from enjoying your new car radio with enhanced features.

Before starting your installation, please ensure that your iDatalink Maestro module is programmed with the correct firmware and that you carefully review the Installation Diagram and Vehicle Wire Reference Chart.

Please note that Maestro RR will only retain functionalities that were originally available in the vehicle.

NEED HELP?

 **1 866 427-2999**

 **support@idatalink.com**

 **maestro.idatalink.com/support
www.12voltdata.com/forum**

DURING INSTALLATION

Installation Instructions	3
Wiring Diagram	5
Vehicle Wire Reference Chart	6
Radio Wire Reference Chart	7

INSTALLATION INSTRUCTIONS

STEP 1

- Unbox the aftermarket radio and locate its main harness.
- Connect the wires shown on the next page from aftermarket radio main harness to the CH1 T-harness and match the wire functions.

STEP 2

- Remove the factory radio.
- Access the main 22 pin factory radio connector **(2.1)** and determine if you have a factory amplifier.

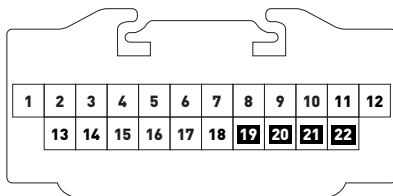


Fig. 2.1

If you don't have wires in PIN 19, 20, 21 and 22, you have a factory amplifier:

- Plug the female GREEN connector to the male GREEN connector of your CH1 T-harness.
- Plug the female WHITE connector to the male WHITE connector of your CH1 T-harness.

If you have wires in PIN 19, 20, 21 and 22, you don't have a factory amplifier:

- Plug the female GREEN connector to the male WHITE connector of your CH1 T-harness.
- Plug the female WHITE connector to the male GREEN connector of your CH1 T-harness.

STEP 3

- Plug the female RED connector to the male BLACK connector.

STEP 4

- Connect the factory harness to the CH1 T-harness.

STEP 5

- Access the OBDII connector located under the driver side dashboard.
- Connect the RED/BROWN wire of the CH1 T-harness to the wire located at pin 6 of the OBDII connector. (See the vehicle wire chart reference for wire colors)
- Connect the YELLOW/BROWN wire of the CH1 T-harness to the wire located at pin 14 of the OBDII connector. (See the vehicle wire chart reference for wire colors)

STEP 6

- Plug the aftermarket radio harnesses into the aftermarket radio.
- Plug the Data cable to the data port of the aftermarket radio.
- Insert the Audio cable into the iDatalink 3.5 mm audio jack of the aftermarket radio.

STEP 7

- Connect all the harnesses to the Maestro RR module then proceed to module setup.

MODULE SETUP:

- Insert the key into the ignition and turn it to the ACC position.
- The Radio will turn on and the setup screen will appear. Choose one of the two Bluetooth OPTIONS below:

OPTION 1:

- This option lets the factory Bluetooth system handle calls and the Factory and the aftermarket Bluetooth system stream Audio.
- To use the factory Bluetooth system: (The factory Bluetooth system is OFF by default)
- Scroll down to Chrysler setup and press SET
- Go to the OEM Bluetooth and press ON
- Press the BACK button (circular shaped arrow)
- Scroll down then press FINISH

INSTALLATION INSTRUCTIONS

OPTION 2:

This option lets the aftermarket Bluetooth system handle calls and stream Audio. To use the aftermarket Bluetooth system:

- Scroll to the bottom of the setup screen and press FINISH
- Install the aftermarket microphone

WARNING: Aftermarket Bluetooth system If your phone is paired to the Factory Bluetooth system you must delete the pairing from the phone to the Factory Bluetooth system.

For more information and programming procedures, see the aftermarket Bluetooth system and the factory Bluetooth system owner's manuals.

The module is now programmed and ready to be used. To access the new menus, press on CHRYSLER FEATURES.

Insert the aftermarket radio in the dashboard housing and test all the functionalities. Reassemble the dashboard carefully.

TROUBLESHOOTING TIPS:

- To reset the module back its factory settings, turn the key to the OFF position then disconnect all connectors from the module. Press and hold the module's programming button and connect all the connectors back to the module. Wait, the module's LED will flash RED rapidly (this may take up to 10 seconds). Release the programming button. Wait, the LED will turn solid GREEN for 2 seconds.
- For technical assistance call 1-866-427-2999 or e-mail "support@idatalink.com". Visit us at "maestro.idatalink.com/support" and "www.12voltdata.com/forum/"

OEM BLUETOOTH SETUP

Only one Bluetooth system can be set for hands free calling. This must be determined before installation. Both the factory and aftermarket systems can be used for Bluetooth audio streaming. If the aftermarket Bluetooth is chosen for hands free calling, the aftermarket microphone must be installed in the vehicle.

2013 Kenwood Radios:

For these radio models, the OEM Bluetooth is turned OFF by default. To turn ON the OEM Bluetooth, insert the key into the ignition and turn it to the ACC position. The Radio will turn on

and the setup screen will appear. Scroll to the bottom and select the vehicle set up menu by pressing SET. Go to the option OEM Bluetooth and select ON. Press the return arrow then scroll to the bottom of the page select FINISH.

2014 Kenwood Radios:

For these radio models, the OEM Bluetooth is turned ON by default. To turn OFF the OEM Bluetooth, insert the key into the ignition and turn it to the ACC position. The radio will turn ON and the setup screen will appear. Scroll to the bottom and select the vehicle set up menu by pressing SET. Go to the option OEM Bluetooth and select OFF.

2014 Alpine Radios:

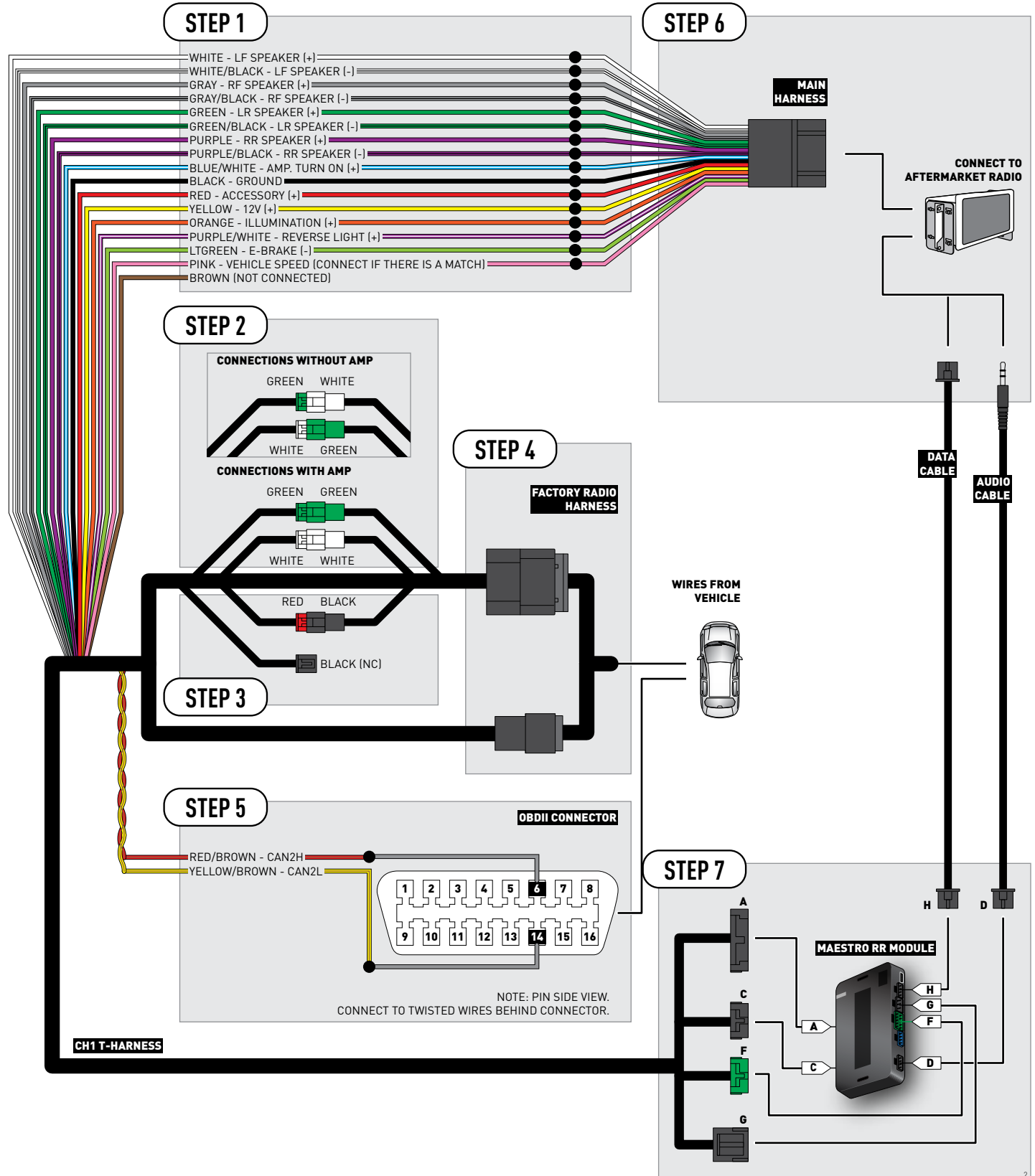
For these radio models, the OEM Bluetooth is turned ON by default. To turn OFF the OEM Bluetooth, insert the key into the ignition and turn it to the ACC position. The radio will turn ON and the main screen will appear. Select the settings button, in the top right corner, then select GENERAL. Select INTEGRATION SETUP then select HANDS FREE CONNECTION. Two options will be available ON or OFF, select OFF.

2014 Pioneer Radios:

For these radio models, the OEM Bluetooth is turned ON by default. To turn OFF the OEM Bluetooth, insert the key into the ignition and turn it to the ACC position. The radio will turn ON and the main screen will appear. Select SETUP, then SYSTEM SETUP, then IDATALINK SETUP and turn OEM Bluetooth to OFF.

Note: Bluetooth audio streaming is not supported by 2014 Pioneer radios.

WIRING DIAGRAM



VEHICLE WIRE REFERENCE CHART

Wire Description	Connector Name	Connector Color	Connector Type	Position	Wire Color	Polarity	Wire Location
CAN2H	OBDII	~	16 pin	06	White/LtBlue	[DATA]	OBDII connector, under driver side dash
CAN2L	OBDII	~	16 pin	14	White/DkBlue	[DATA]	OBDII connector, under driver side dash

RADIO WIRE REFERENCE CHART

Wire Description	Polarity	Wire Color on Maestro T-Harness	Wire Color on Alpine cable	Wire Color on Kenwood cable	Wire Color on Pioneer cable
Illumination	(+)	Orange	N/A	Orange/White	Orange/White
Reverse Light	(+)	Purple/White	Orange/White	Purple/White	Purple/White
E-Brake	(-)	Lt Green	Yellow/Blue	Lt Green	Lt Green
Foot Brake	(+)	Yellow/Black	Yellow/Black	N/A	N/A
VSS (vehicle speed sensor)	(DATA)	Pink	Green/White	N/A	Pink



INSTALL GUIDE DODGE CHARGER 2008-2010

RETAINS STEERING WHEEL CONTROLS, UCONNECT, UCONNECT BLUETOOTH, AND MORE!



PRODUCTS REQUIRED

iDatalink Maestro RR Radio Replacement Interface
iDatalink Maestro CH1 Installation Harness

OPTIONAL ACCESSORIES

ADS-HRN(AV)-CHR01

PROGRAMMED FIRMWARE

ADS-RR(SR)-CHR01-DS

NOTICE: Automotive Data Solutions Inc. (ADS) recommends having this installation performed by a certified technician. Logos and trademarks used here in are the properties of their respective owners.

WELCOME

Congratulations on the purchase of your iDatalink Maestro RR Radio replacement solution. You are now a few simple steps away from enjoying your new car radio with enhanced features.

Before starting your installation, please ensure that your iDatalink Maestro module is programmed with the correct firmware and that you carefully review the Installation Diagram and Vehicle Wire Reference Chart.

Please note that Maestro RR will only retain functionalities that were originally available in the vehicle.

NEED HELP?

 **1 866 427-2999**

 **support@idatalink.com**

 **maestro.idatalink.com/support**
www.12voltdata.com/forum

DURING INSTALLATION

Installation Instructions	3
Wiring Diagram	5
Vehicle Wire Reference Chart	6
Radio Wire Reference Chart	7

INSTALLATION INSTRUCTIONS

STEP 1

- Unbox the aftermarket radio and locate its main harness.
- Connect the wires shown on the next page from aftermarket radio main harness to the CH1 T-harness and match the wire functions.

STEP 2

- Remove the factory radio.
- Access the main 22 pin factory radio connector **(2.1)** and determine if you have a factory amplifier.

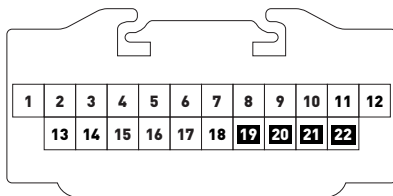


Fig. 2.1

If you don't have wires in PIN 19, 20, 21 and 22, you have a factory amplifier:

- Plug the female GREEN connector to the male GREEN connector of your CH1 T-harness.
- Plug the female WHITE connector to the male WHITE connector of your CH1 T-harness.

If you have wires in PIN 19, 20, 21 and 22, you don't have a factory amplifier:

- Plug the female GREEN connector to the male WHITE connector of your CH1 T-harness.
- Plug the female WHITE connector to the male GREEN connector of your CH1 T-harness.

STEP 3

- Plug the female RED connector to the male BLACK connector.

STEP 4

- Connect the factory harness to the CH1 T-harness.

STEP 5

- Access the OBDII connector located under the driver side dashboard.
- Connect the RED/BROWN wire of the CH1 T-harness to the wire located at pin 6 of the OBDII connector. (See the vehicle wire chart reference for wire colors)
- Connect the YELLOW/BROWN wire of the CH1 T-harness to the wire located at pin 14 of the OBDII connector. (See the vehicle wire chart reference for wire colors)

STEP 6

- Plug the aftermarket radio harnesses into the aftermarket radio.
- Plug the Data cable to the data port of the aftermarket radio.
- Insert the Audio cable into the iDatalink 3.5 mm audio jack of the aftermarket radio.

STEP 7

- Connect all the harnesses to the Maestro RR module then proceed to module setup.

MODULE SETUP:

- Insert the key into the ignition and turn it to the ACC position.
- The Radio will turn on and the setup screen will appear. Choose one of the two Bluetooth OPTIONS below:

OPTION 1:

- This option lets the factory Bluetooth system handle calls and the Factory and the aftermarket Bluetooth system stream Audio.
- To use the factory Bluetooth system: (The factory Bluetooth system is OFF by default)
- Scroll down to Chrysler setup and press SET
- Go to the OEM Bluetooth and press ON
- Press the BACK button (circular shaped arrow)
- Scroll down then press FINISH

INSTALLATION INSTRUCTIONS

OPTION 2:

This option lets the aftermarket Bluetooth system handle calls and stream Audio. To use the aftermarket Bluetooth system:

- Scroll to the bottom of the setup screen and press FINISH
- Install the aftermarket microphone

WARNING: Aftermarket Bluetooth system If your phone is paired to the Factory Bluetooth system you must delete the pairing from the phone to the Factory Bluetooth system.

For more information and programming procedures, see the aftermarket Bluetooth system and the factory Bluetooth system owner's manuals.

The module is now programmed and ready to be used. To access the new menus, press on CHRYSLER FEATURES.

Insert the aftermarket radio in the dashboard housing and test all the functionalities. Reassemble the dashboard carefully.

TROUBLESHOOTING TIPS:

- To reset the module back its factory settings, turn the key to the OFF position then disconnect all connectors from the module. Press and hold the module's programming button and connect all the connectors back to the module. Wait, the module's LED will flash RED rapidly (this may take up to 10 seconds). Release the programming button. Wait, the LED will turn solid GREEN for 2 seconds.
- For technical assistance call 1-866-427-2999 or e-mail "support@idatalink.com". Visit us at "maestro.idatalink.com/support" and "www.12voltdata.com/forum/"

OEM BLUETOOTH SETUP

Only one Bluetooth system can be set for hands free calling. This must be determined before installation. Both the factory and aftermarket systems can be used for Bluetooth audio streaming. If the aftermarket Bluetooth is chosen for hands free calling, the aftermarket microphone must be installed in the vehicle.

2013 Kenwood Radios:

For these radio models, the OEM Bluetooth is turned OFF by default. To turn ON the OEM Bluetooth, insert the key into the ignition and turn it to the ACC position. The Radio will turn on

and the setup screen will appear. Scroll to the bottom and select the vehicle set up menu by pressing SET. Go to the option OEM Bluetooth and select ON. Press the return arrow then scroll to the bottom of the page select FINISH.

2014 Kenwood Radios:

For these radio models, the OEM Bluetooth is turned ON by default. To turn OFF the OEM Bluetooth, insert the key into the ignition and turn it to the ACC position. The radio will turn ON and the setup screen will appear. Scroll to the bottom and select the vehicle set up menu by pressing SET. Go to the option OEM Bluetooth and select OFF.

2014 Alpine Radios:

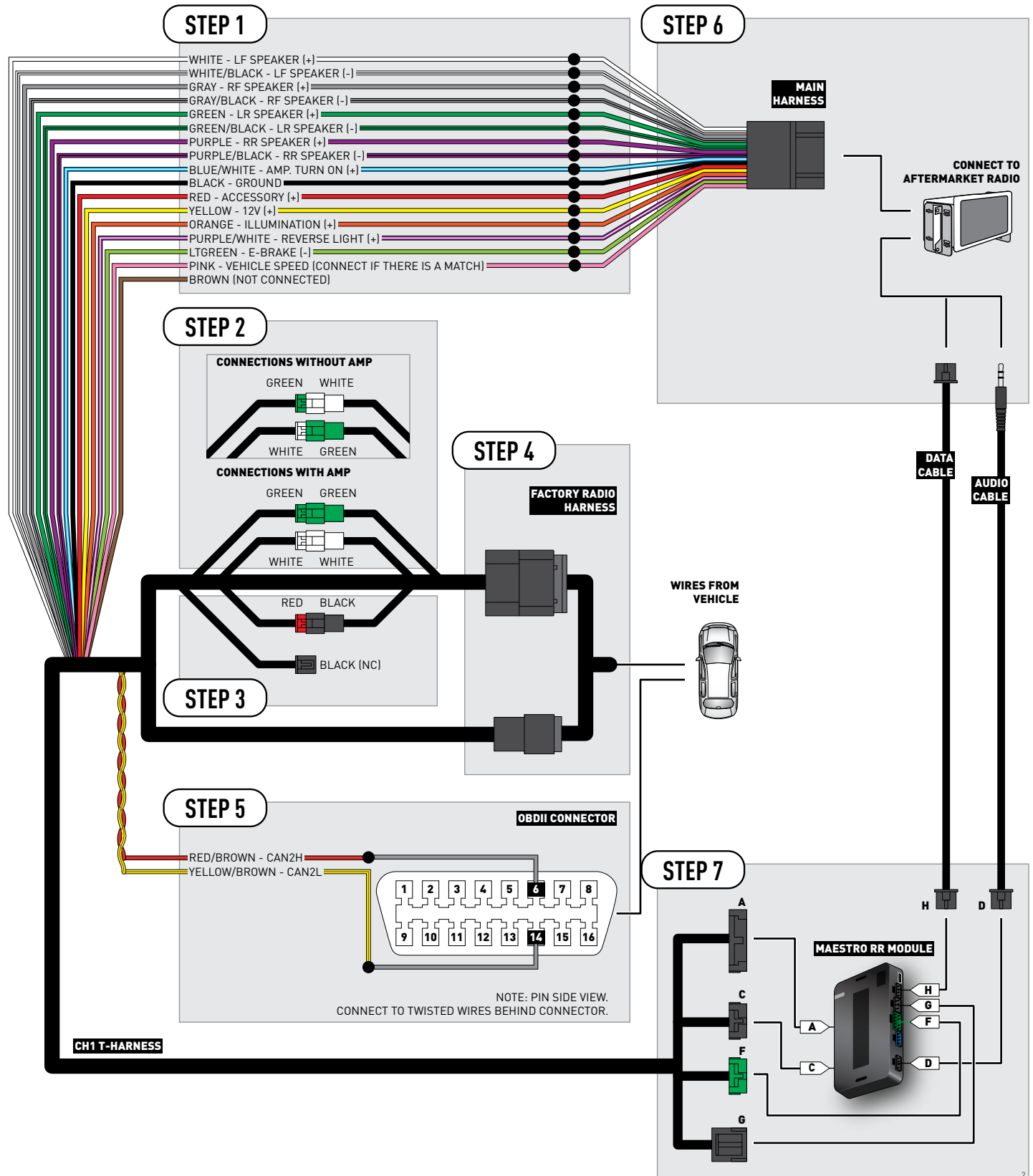
For these radio models, the OEM Bluetooth is turned ON by default. To turn OFF the OEM Bluetooth, insert the key into the ignition and turn it to the ACC position. The radio will turn ON and the main screen will appear. Select the settings button, in the top right corner, then select GENERAL. Select INTEGRATION SETUP then select HANDS FREE CONNECTION. Two options will be available ON or OFF, select OFF.

2014 Pioneer Radios:

For these radio models, the OEM Bluetooth is turned ON by default. To turn OFF the OEM Bluetooth, insert the key into the ignition and turn it to the ACC position. The radio will turn ON and the main screen will appear. Select SETUP, then SYSTEM SETUP, then IDATALINK SETUP and turn OEM Bluetooth to OFF.

Note: Bluetooth audio streaming is not supported by 2014 Pioneer radios.

WIRING DIAGRAM



VEHICLE WIRE REFERENCE CHART

Wire Description	Connector Name	Connector Color	Connector Type	Position	Wire Color	Polarity	Wire Location
CAN2H	OBDII	~	16 pin	06	White/LtBlue	[DATA]	OBDII connector, under driver side dash
CAN2L	OBDII	~	16 pin	14	White/DkBlue	[DATA]	OBDII connector, under driver side dash

RADIO WIRE REFERENCE CHART

Wire Description	Polarity	Wire Color on Maestro T-Harness	Wire Color on Alpine cable	Wire Color on Kenwood cable	Wire Color on Pioneer cable
Illumination	(+)	Orange	N/A	Orange/White	Orange/White
Reverse Light	(+)	Purple/White	Orange/White	Purple/White	Purple/White
E-Brake	(-)	Lt Green	Yellow/Blue	Lt Green	Lt Green
Foot Brake	(+)	Yellow/Black	Yellow/Black	N/A	N/A
VSS (vehicle speed sensor)	(DATA)	Pink	Green/White	N/A	Pink



INSTALL GUIDE DODGE DAKOTA 2008-2010

RETAINS STEERING WHEEL CONTROLS, UCONNECT, UCONNECT BLUETOOTH, AND MORE!



PRODUCTS REQUIRED

iDatalink Maestro RR Radio Replacement Interface
iDatalink Maestro CH1 Installation Harness

OPTIONAL ACCESSORIES

ADS-HRN(AV)-CHR01

PROGRAMMED FIRMWARE

ADS-RR(SR)-CHR01-DS

NOTICE: Automotive Data Solutions Inc. (ADS) recommends having this installation performed by a certified technician. Logos and trademarks used here in are the properties of their respective owners.

WELCOME

Congratulations on the purchase of your iDatalink Maestro RR Radio replacement solution. You are now a few simple steps away from enjoying your new car radio with enhanced features.


Before starting your installation, please ensure that your iDatalink Maestro module is programmed with the correct firmware and that you carefully review the Installation Diagram and Vehicle Wire Reference Chart.

Please note that Maestro RR will only retain functionalities that were originally available in the vehicle.

NEED HELP?

 **1 866 427-2999**

 **support@idatalink.com**

 **maestro.idatalink.com/support**
www.12voltdata.com/forum

DURING INSTALLATION

Installation Instructions	3
Wiring Diagram	5
Vehicle Wire Reference Chart	6
Radio Wire Reference Chart	7

INSTALLATION INSTRUCTIONS

STEP 1

- Unbox the aftermarket radio and locate its main harness.
- Connect the wires shown on the next page from aftermarket radio main harness to the CH1 T-harness and match the wire functions.

STEP 2

- Remove the factory radio.
- Access the main 22 pin factory radio connector **(2.1)** and determine if you have a factory amplifier.

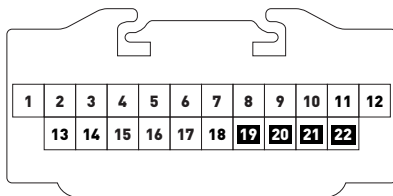


Fig. 2.1

If you don't have wires in PIN 19, 20, 21 and 22, you have a factory amplifier:

- Plug the female GREEN connector to the male GREEN connector of your CH1 T-harness.
- Plug the female WHITE connector to the male WHITE connector of your CH1 T-harness.

If you have wires in PIN 19, 20, 21 and 22, you don't have a factory amplifier:

- Plug the female GREEN connector to the male WHITE connector of your CH1 T-harness.
- Plug the female WHITE connector to the male GREEN connector of your CH1 T-harness.

STEP 3

- Plug the female RED connector to the male BLACK connector.

STEP 4

- Connect the factory harness to the CH1 T-harness.

STEP 5

- Access the OBDII connector located under the driver side dashboard.
- Connect the RED/BROWN wire of the CH1 T-harness to the wire located at pin 6 of the OBDII connector. (See the vehicle wire chart reference for wire colors)
- Connect the YELLOW/BROWN wire of the CH1 T-harness to the wire located at pin 14 of the OBDII connector. (See the vehicle wire chart reference for wire colors)

STEP 6

- Plug the aftermarket radio harnesses into the aftermarket radio.
- Plug the Data cable to the data port of the aftermarket radio.
- Insert the Audio cable into the iDatalink 3.5 mm audio jack of the aftermarket radio.

STEP 7

- Connect all the harnesses to the Maestro RR module then proceed to module setup.

MODULE SETUP:

- Insert the key into the ignition and turn it to the ACC position.
- The Radio will turn on and the setup screen will appear. Choose one of the two Bluetooth OPTIONS below:

OPTION 1:

- This option lets the factory Bluetooth system handle calls and the Factory and the aftermarket Bluetooth system stream Audio.
- To use the factory Bluetooth system: (The factory Bluetooth system is OFF by default)
- Scroll down to Chrysler setup and press SET
- Go to the OEM Bluetooth and press ON
- Press the BACK button (circular shaped arrow)
- Scroll down then press FINISH

INSTALLATION INSTRUCTIONS

OPTION 2:

This option lets the aftermarket Bluetooth system handle calls and stream Audio. To use the aftermarket Bluetooth system:

- Scroll to the bottom of the setup screen and press FINISH
- Install the aftermarket microphone

WARNING: Aftermarket Bluetooth system If your phone is paired to the Factory Bluetooth system you must delete the pairing from the phone to the Factory Bluetooth system.

For more information and programming procedures, see the aftermarket Bluetooth system and the factory Bluetooth system owner's manuals.

The module is now programmed and ready to be used. To access the new menus, press on CHRYSLER FEATURES.

Insert the aftermarket radio in the dashboard housing and test all the functionalities. Reassemble the dashboard carefully.

TROUBLESHOOTING TIPS:

- To reset the module back its factory settings, turn the key to the OFF position then disconnect all connectors from the module. Press and hold the module's programming button and connect all the connectors back to the module. Wait, the module's LED will flash RED rapidly (this may take up to 10 seconds). Release the programming button. Wait, the LED will turn solid GREEN for 2 seconds.
- For technical assistance call 1-866-427-2999 or e-mail "support@idatalink.com". Visit us at "maestro.idatalink.com/support" and "www.12voltdata.com/forum/"

OEM BLUETOOTH SETUP

Only one Bluetooth system can be set for hands free calling. This must be determined before installation. Both the factory and aftermarket systems can be used for Bluetooth audio streaming. If the aftermarket Bluetooth is chosen for hands free calling, the aftermarket microphone must be installed in the vehicle.

2013 Kenwood Radios:

For these radio models, the OEM Bluetooth is turned OFF by default. To turn ON the OEM Bluetooth, insert the key into the ignition and turn it to the ACC position. The Radio will turn on

and the setup screen will appear. Scroll to the bottom and select the vehicle set up menu by pressing SET. Go to the option OEM Bluetooth and select ON. Press the return arrow then scroll to the bottom of the page select FINISH.

2014 Kenwood Radios:

For these radio models, the OEM Bluetooth is turned ON by default. To turn OFF the OEM Bluetooth, insert the key into the ignition and turn it to the ACC position. The radio will turn ON and the setup screen will appear. Scroll to the bottom and select the vehicle set up menu by pressing SET. Go to the option OEM Bluetooth and select OFF.

2014 Alpine Radios:

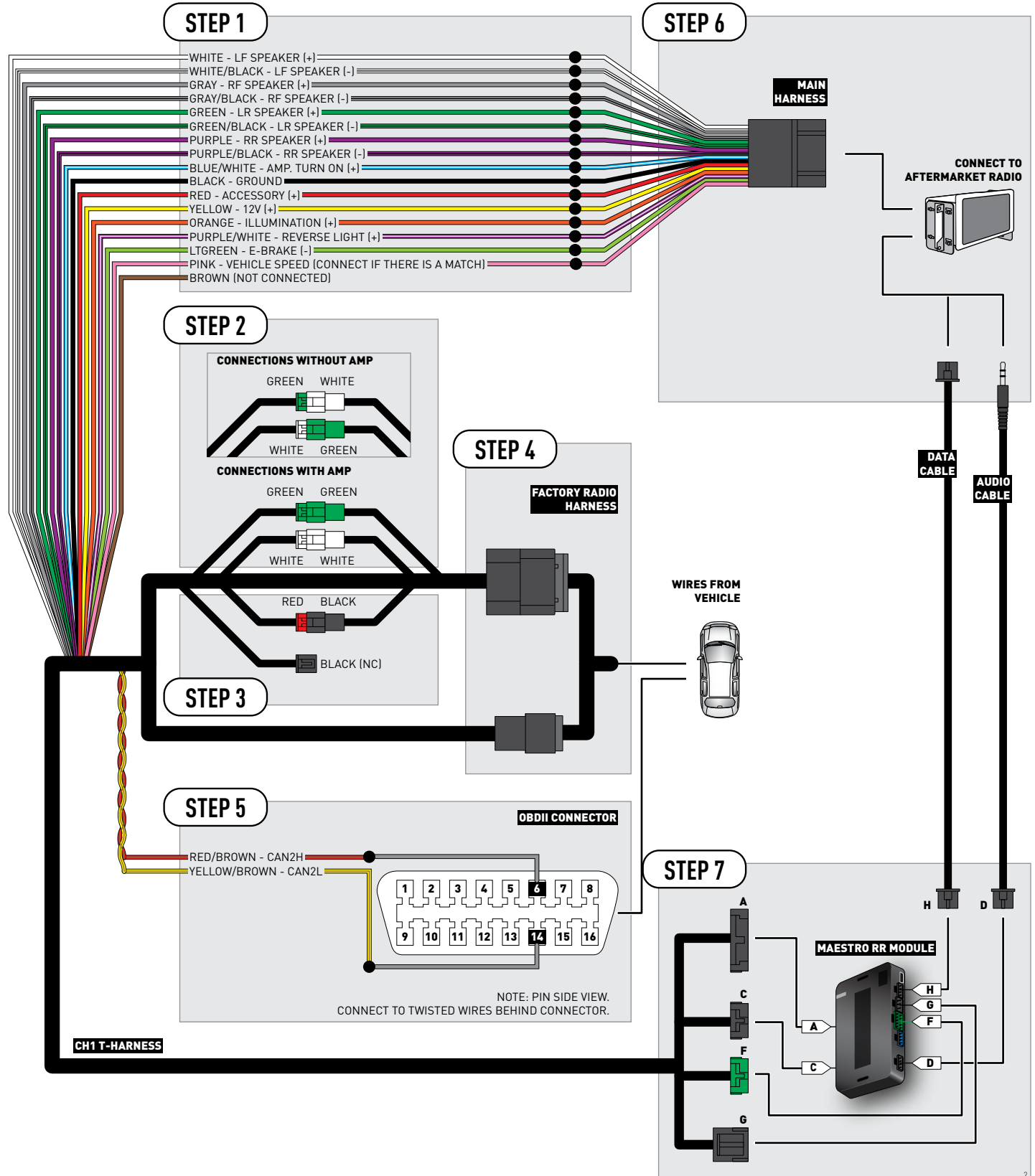
For these radio models, the OEM Bluetooth is turned ON by default. To turn OFF the OEM Bluetooth, insert the key into the ignition and turn it to the ACC position. The radio will turn ON and the main screen will appear. Select the settings button, in the top right corner, then select GENERAL. Select INTEGRATION SETUP then select HANDS FREE CONNECTION. Two options will be available ON or OFF, select OFF.

2014 Pioneer Radios:

For these radio models, the OEM Bluetooth is turned ON by default. To turn OFF the OEM Bluetooth, insert the key into the ignition and turn it to the ACC position. The radio will turn ON and the main screen will appear. Select SETUP, then SYSTEM SETUP, then IDATALINK SETUP and turn OEM Bluetooth to OFF.

Note: Bluetooth audio streaming is not supported by 2014 Pioneer radios.

WIRING DIAGRAM



VEHICLE WIRE REFERENCE CHART

Wire Description	Connector Name	Connector Color	Connector Type	Position	Wire Color	Polarity	Wire Location
CAN2H	OBDII	~	16 pin	06	White/LtBlue	[DATA]	OBDII connector, under driver side dash
CAN2L	OBDII	~	16 pin	14	Pink/Red	[DATA]	OBDII connector, under driver side dash

RADIO WIRE REFERENCE CHART

Wire Description	Polarity	Wire Color on Maestro T-Harness	Wire Color on Alpine cable	Wire Color on Kenwood cable	Wire Color on Pioneer cable
Illumination	(+)	Orange	N/A	Orange/White	Orange/White
Reverse Light	(+)	Purple/White	Orange/White	Purple/White	Purple/White
E-Brake	(-)	Lt Green	Yellow/Blue	Lt Green	Lt Green
Foot Brake	(+)	Yellow/Black	Yellow/Black	N/A	N/A
VSS (vehicle speed sensor)	(DATA)	Pink	Green/White	N/A	Pink



INSTALL GUIDE DODGE DAKOTA 2011

RETAINS STEERING WHEEL CONTROLS, UCONNECT, UCONNECT BLUETOOTH, AND MORE!



PRODUCTS REQUIRED

iDatalink Maestro RR Radio Replacement Interface
iDatalink Maestro CH1 Installation Harness

OPTIONAL ACCESSORIES

ADS-HRN(AV)-CHR01

PROGRAMMED FIRMWARE

ADS-RR(SR)-CHR01-DS

NOTICE: Automotive Data Solutions Inc. (ADS) recommends having this installation performed by a certified technician. Logos and trademarks used here in are the properties of their respective owners.

WELCOME

Congratulations on the purchase of your iDatalink Maestro RR Radio replacement solution. You are now a few simple steps away from enjoying your new car radio with enhanced features.

Before starting your installation, please ensure that your iDatalink Maestro module is programmed with the correct firmware and that you carefully review the Installation Diagram and Vehicle Wire Reference Chart.

Please note that Maestro RR will only retain functionalities that were originally available in the vehicle.

NEED HELP?

 **1 866 427-2999**

 support@idatalink.com

 maestro.idatalink.com/support
www.12voltdata.com/forum

DURING INSTALLATION

Installation Instructions	3
Wiring Diagram	5
Vehicle Wire Reference Chart	6
Radio Wire Reference Chart	7

INSTALLATION INSTRUCTIONS

STEP 1

- Unbox the aftermarket radio and locate its main harness.
- Connect the wires shown on the next page from aftermarket radio main harness to the CH1 T-harness and match the wire functions.

STEP 2

- Remove the factory radio.
- Access the main 22 pin factory radio connector **(2.1)** and determine if you have a factory amplifier.

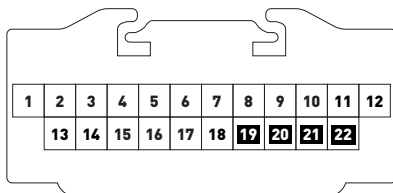


Fig. 2.1

If you don't have wires in PIN 19, 20, 21 and 22, you have a factory amplifier:

- Plug the female GREEN connector to the male GREEN connector of your CH1 T-harness.
- Plug the female WHITE connector to the male WHITE connector of your CH1 T-harness.

If you have wires in PIN 19, 20, 21 and 22, you don't have a factory amplifier:

- Plug the female GREEN connector to the male WHITE connector of your CH1 T-harness.
- Plug the female WHITE connector to the male GREEN connector of your CH1 T-harness.

STEP 3

- Plug the female BLACK connector to the male BLACK connector.

STEP 4

- Connect the factory harness to the CH1 T-harness.

STEP 5

- Access the OBDII connector located under the driver side dashboard.
- Connect the RED/BROWN wire of the CH1 T-harness to the wire located at pin 6 of the OBDII connector. (See the vehicle wire chart reference for wire colors)
- Connect the YELLOW/BROWN wire of the CH1 T-harness to the wire located at pin 14 of the OBDII connector. (See the vehicle wire chart reference for wire colors)

STEP 6

- Plug the aftermarket radio harnesses into the aftermarket radio.
- Plug the Data cable to the data port of the aftermarket radio.
- Insert the Audio cable into the iDatalink 3.5 mm audio jack of the aftermarket radio.

STEP 7

- Connect all the harnesses to the Maestro RR module then proceed to module setup.

MODULE SETUP:

- Insert the key into the ignition and turn it to the ACC position.
- The Radio will turn on and the setup screen will appear. Choose one of the two Bluetooth OPTIONS below:

OPTION 1:

- This option lets the factory Bluetooth system handle calls and the Factory and the aftermarket Bluetooth system stream Audio.
- To use the factory Bluetooth system: (The factory Bluetooth system is OFF by default)
- Scroll down to Chrysler setup and press SET
- Go to the OEM Bluetooth and press ON
- Press the BACK button (circular shaped arrow)
- Scroll down then press FINISH

INSTALLATION INSTRUCTIONS

OPTION 2:

This option lets the aftermarket Bluetooth system handle calls and stream Audio. To use the aftermarket Bluetooth system:

- Scroll to the bottom of the setup screen and press FINISH
- Install the aftermarket microphone

WARNING: Aftermarket Bluetooth system If your phone is paired to the Factory Bluetooth system you must delete the pairing from the phone to the Factory Bluetooth system.

For more information and programming procedures, see the aftermarket Bluetooth system and the factory Bluetooth system owner's manuals.

The module is now programmed and ready to be used. To access the new menus, press on CHRYSLER FEATURES.

Insert the aftermarket radio in the dashboard housing and test all the functionalities. Reassemble the dashboard carefully.

TROUBLESHOOTING TIPS:

- To reset the module back its factory settings, turn the key to the OFF position then disconnect all connectors from the module. Press and hold the module's programming button and connect all the connectors back to the module. Wait, the module's LED will flash RED rapidly (this may take up to 10 seconds). Release the programming button. Wait, the LED will turn solid GREEN for 2 seconds.
- For technical assistance call 1-866-427-2999 or e-mail "support@idatalink.com". Visit us at "maestro.idatalink.com/support" and "www.12voltdata.com/forum/"

OEM BLUETOOTH SETUP

Only one Bluetooth system can be set for hands free calling. This must be determined before installation. Both the factory and aftermarket systems can be used for Bluetooth audio streaming. If the aftermarket Bluetooth is chosen for hands free calling, the aftermarket microphone must be installed in the vehicle.

2013 Kenwood Radios:

For these radio models, the OEM Bluetooth is turned OFF by default. To turn ON the OEM Bluetooth, insert the key into the ignition and turn it to the ACC position. The Radio will turn on

and the setup screen will appear. Scroll to the bottom and select the vehicle set up menu by pressing SET. Go to the option OEM Bluetooth and select ON. Press the return arrow then scroll to the bottom of the page select FINISH.

2014 Kenwood Radios:

For these radio models, the OEM Bluetooth is turned ON by default. To turn OFF the OEM Bluetooth, insert the key into the ignition and turn it to the ACC position. The radio will turn ON and the setup screen will appear. Scroll to the bottom and select the vehicle set up menu by pressing SET. Go to the option OEM Bluetooth and select OFF.

2014 Alpine Radios:

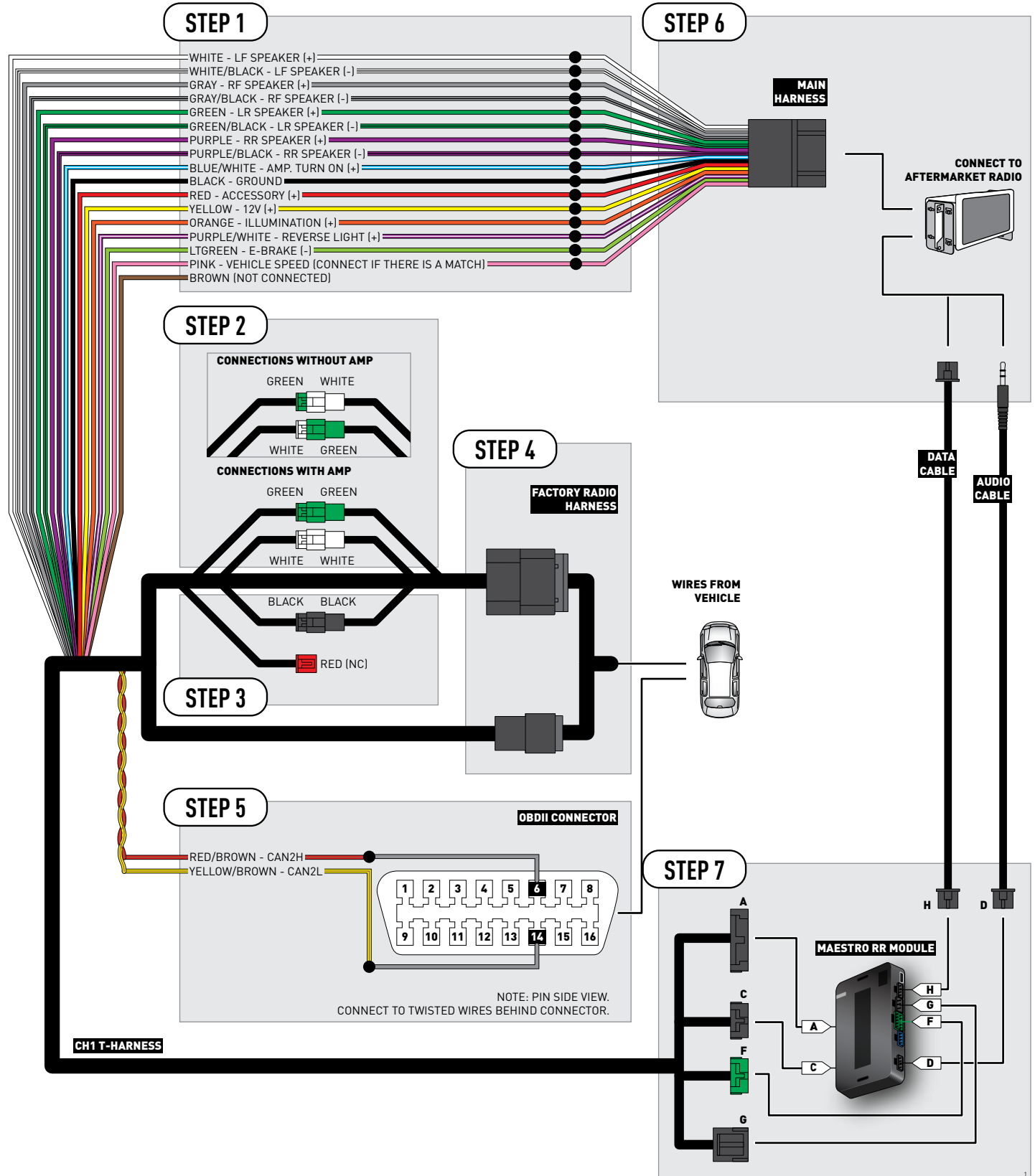
For these radio models, the OEM Bluetooth is turned ON by default. To turn OFF the OEM Bluetooth, insert the key into the ignition and turn it to the ACC position. The radio will turn ON and the main screen will appear. Select the settings button, in the top right corner, then select GENERAL. Select INTEGRATION SETUP then select HANDS FREE CONNECTION. Two options will be available ON or OFF, select OFF.

2014 Pioneer Radios:

For these radio models, the OEM Bluetooth is turned ON by default. To turn OFF the OEM Bluetooth, insert the key into the ignition and turn it to the ACC position. The radio will turn ON and the main screen will appear. Select SETUP, then SYSTEM SETUP, then IDATALINK SETUP and turn OEM Bluetooth to OFF.

Note: Bluetooth audio streaming is not supported by 2014 Pioneer radios.

WIRING DIAGRAM



VEHICLE WIRE REFERENCE CHART

Wire Description	Connector Name	Connector Color	Connector Type	Position	Wire Color	Polarity	Wire Location
CAN2H	OBDII	~	16 pin	06	White/LtBlue	[DATA]	OBDII connector, under driver side dash
CAN2L	OBDII	~	16 pin	14	White/DkBlue	[DATA]	OBDII connector, under driver side dash

RADIO WIRE REFERENCE CHART

Wire Description	Polarity	Wire Color on Maestro T-Harness	Wire Color on Alpine cable	Wire Color on Kenwood cable	Wire Color on Pioneer cable
Illumination	(+)	Orange	N/A	Orange/White	Orange/White
Reverse Light	(+)	Purple/White	Orange/White	Purple/White	Purple/White
E-Brake	(-)	Lt Green	Yellow/Blue	Lt Green	Lt Green
Foot Brake	(+)	Yellow/Black	Yellow/Black	N/A	N/A
VSS (vehicle speed sensor)	(DATA)	Pink	Green/White	N/A	Pink



INSTALL GUIDE DODGE DURANGO 2008-2009

RETAINS STEERING WHEEL CONTROLS, UCONNECT, UCONNECT BLUETOOTH, AND MORE!



PRODUCTS REQUIRED

iDatalink Maestro RR Radio Replacement Interface
iDatalink Maestro CH1 Installation Harness

OPTIONAL ACCESSORIES

ADS-HRN(AV)-CHR01

PROGRAMMED FIRMWARE

ADS-RR(SR)-CHR01-DS

NOTICE: Automotive Data Solutions Inc. (ADS) recommends having this installation performed by a certified technician. Logos and trademarks used here in are the properties of their respective owners.

WELCOME

Congratulations on the purchase of your iDatalink Maestro RR Radio replacement solution. You are now a few simple steps away from enjoying your new car radio with enhanced features.


Before starting your installation, please ensure that your iDatalink Maestro module is programmed with the correct firmware and that you carefully review the Installation Diagram and Vehicle Wire Reference Chart.

Please note that Maestro RR will only retain functionalities that were originally available in the vehicle.

NEED HELP?

 **1 866 427-2999**

 **support@idatalink.com**

 **maestro.idatalink.com/support
www.12voltdata.com/forum**

DURING INSTALLATION

Installation Instructions	3
Wiring Diagram	5
Vehicle Wire Reference Chart	6
Radio Wire Reference Chart	7

INSTALLATION INSTRUCTIONS

STEP 1

- Unbox the aftermarket radio and locate its main harness.
- Connect the wires shown on the next page from aftermarket radio main harness to the CH1 T-harness and match the wire functions.

STEP 2

- Remove the factory radio.
- Access the main 22 pin factory radio connector **(2.1)** and determine if you have a factory amplifier.

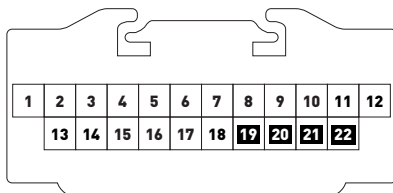


Fig. 2.1

If you don't have wires in PIN 19, 20, 21 and 22, you have a factory amplifier:

- Plug the female GREEN connector to the male GREEN connector of your CH1 T-harness.
- Plug the female WHITE connector to the male WHITE connector of your CH1 T-harness.

If you have wires in PIN 19, 20, 21 and 22, you don't have a factory amplifier:

- Plug the female GREEN connector to the male WHITE connector of your CH1 T-harness.
- Plug the female WHITE connector to the male GREEN connector of your CH1 T-harness.

STEP 3

- Plug the female RED connector to the male BLACK connector.

STEP 4

- Connect the factory harness to the CH1 T-harness.

STEP 5

- Access the OBDII connector located under the driver side dashboard.
- Connect the RED/BROWN wire of the CH1 T-harness to the wire located at pin 6 of the OBDII connector. (See the vehicle wire chart reference for wire colors)
- Connect the YELLOW/BROWN wire of the CH1 T-harness to the wire located at pin 14 of the OBDII connector. (See the vehicle wire chart reference for wire colors)

STEP 6

- Plug the aftermarket radio harnesses into the aftermarket radio.
- Plug the Data cable to the data port of the aftermarket radio.
- Insert the Audio cable into the iDatalink 3.5 mm audio jack of the aftermarket radio.

STEP 7

- Connect all the harnesses to the Maestro RR module then proceed to module setup.

MODULE SETUP:

- Insert the key into the ignition and turn it to the ACC position.
- The Radio will turn on and the setup screen will appear. Choose one of the two Bluetooth OPTIONS below:

OPTION 1:

- This option lets the factory Bluetooth system handle calls and the Factory and the aftermarket Bluetooth system stream Audio.
- To use the factory Bluetooth system: (The factory Bluetooth system is OFF by default)
- Scroll down to Chrysler setup and press SET
- Go to the OEM Bluetooth and press ON
- Press the BACK button (circular shaped arrow)
- Scroll down then press FINISH

INSTALLATION INSTRUCTIONS

OPTION 2:

This option lets the aftermarket Bluetooth system handle calls and stream Audio. To use the aftermarket Bluetooth system:

- Scroll to the bottom of the setup screen and press FINISH
- Install the aftermarket microphone

WARNING: Aftermarket Bluetooth system If your phone is paired to the Factory Bluetooth system you must delete the pairing from the phone to the Factory Bluetooth system.

For more information and programming procedures, see the aftermarket Bluetooth system and the factory Bluetooth system owner's manuals.

The module is now programmed and ready to be used. To access the new menus, press on CHRYSLER FEATURES.

Insert the aftermarket radio in the dashboard housing and test all the functionalities. Reassemble the dashboard carefully.

TROUBLESHOOTING TIPS:

- To reset the module back its factory settings, turn the key to the OFF position then disconnect all connectors from the module. Press and hold the module's programming button and connect all the connectors back to the module. Wait, the module's LED will flash RED rapidly (this may take up to 10 seconds). Release the programming button. Wait, the LED will turn solid GREEN for 2 seconds.
- For technical assistance call 1-866-427-2999 or e-mail "support@idatalink.com". Visit us at "maestro.idatalink.com/support" and "www.12voltdata.com/forum/"

OEM BLUETOOTH SETUP

Only one Bluetooth system can be set for hands free calling. This must be determined before installation. Both the factory and aftermarket systems can be used for Bluetooth audio streaming. If the aftermarket Bluetooth is chosen for hands free calling, the aftermarket microphone must be installed in the vehicle.

2013 Kenwood Radios:

For these radio models, the OEM Bluetooth is turned OFF by default. To turn ON the OEM Bluetooth, insert the key into the ignition and turn it to the ACC position. The Radio will turn on

and the setup screen will appear. Scroll to the bottom and select the vehicle set up menu by pressing SET. Go to the option OEM Bluetooth and select ON. Press the return arrow then scroll to the bottom of the page select FINISH.

2014 Kenwood Radios:

For these radio models, the OEM Bluetooth is turned ON by default. To turn OFF the OEM Bluetooth, insert the key into the ignition and turn it to the ACC position. The radio will turn ON and the setup screen will appear. Scroll to the bottom and select the vehicle set up menu by pressing SET. Go to the option OEM Bluetooth and select OFF.

2014 Alpine Radios:

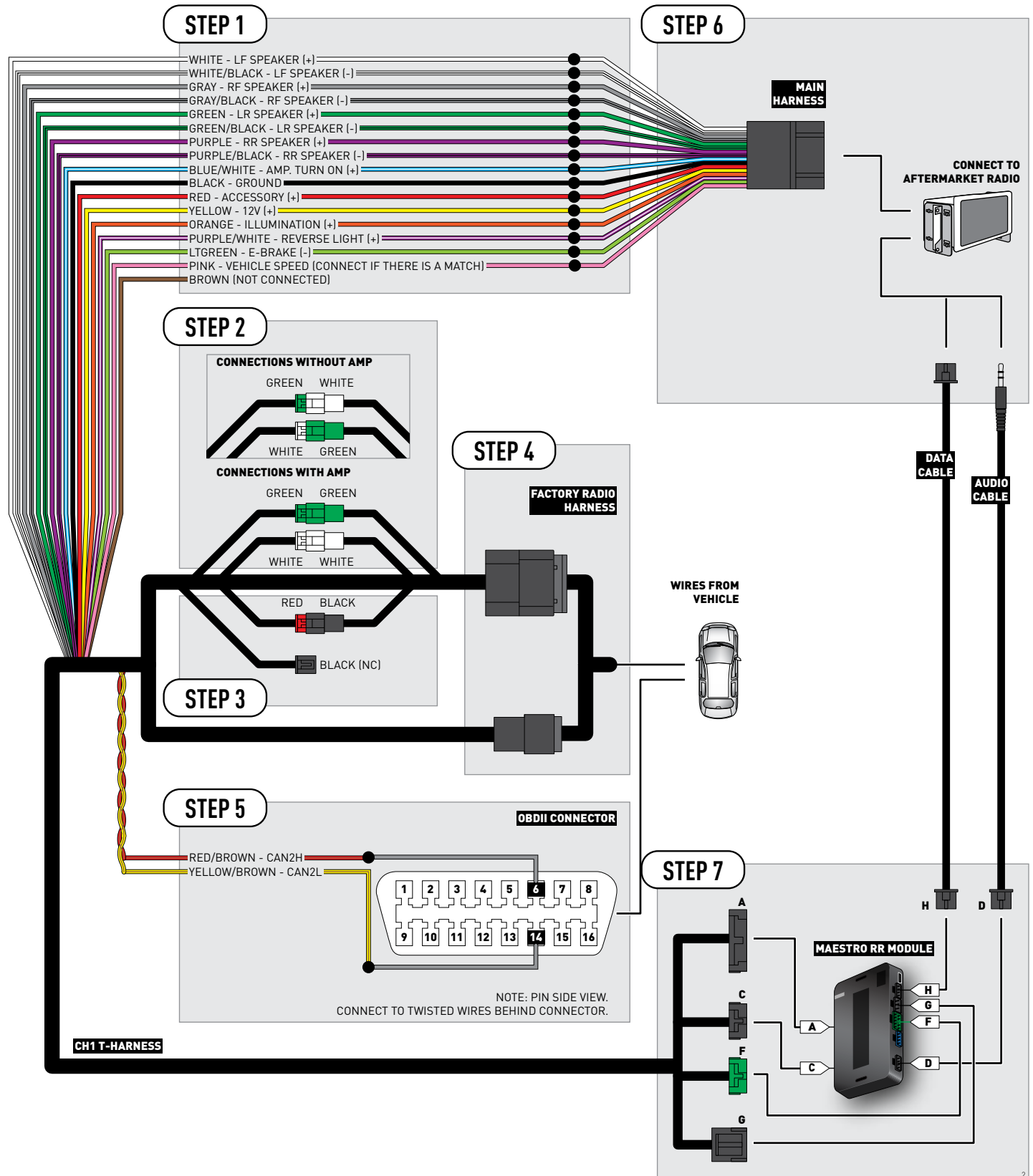
For these radio models, the OEM Bluetooth is turned ON by default. To turn OFF the OEM Bluetooth, insert the key into the ignition and turn it to the ACC position. The radio will turn ON and the main screen will appear. Select the settings button, in the top right corner, then select GENERAL. Select INTEGRATION SETUP then select HANDS FREE CONNECTION. Two options will be available ON or OFF, select OFF.

2014 Pioneer Radios:

For these radio models, the OEM Bluetooth is turned ON by default. To turn OFF the OEM Bluetooth, insert the key into the ignition and turn it to the ACC position. The radio will turn ON and the main screen will appear. Select SETUP, then SYSTEM SETUP, then IDATALINK SETUP and turn OEM Bluetooth to OFF.

Note: Bluetooth audio streaming is not supported by 2014 Pioneer radios.

WIRING DIAGRAM



VEHICLE WIRE REFERENCE CHART

Wire Description	Connector Name	Connector Color	Connector Type	Position	Wire Color	Polarity	Wire Location
CAN2H	OBDII	~	16 pin	06	White/DkGreen	[DATA]	OBDII connector, under driver side dash
CAN2L	OBDII	~	16 pin	14	White/DkBlue	[DATA]	OBDII connector, under driver side dash

RADIO WIRE REFERENCE CHART

Wire Description	Polarity	Wire Color on Maestro T-Harness	Wire Color on Alpine cable	Wire Color on Kenwood cable	Wire Color on Pioneer cable
Illumination	(+)	Orange	N/A	Orange/White	Orange/White
Reverse Light	(+)	Purple/White	Orange/White	Purple/White	Purple/White
E-Brake	(-)	Lt Green	Yellow/Blue	Lt Green	Lt Green
Foot Brake	(+)	Yellow/Black	Yellow/Black	N/A	N/A
VSS (vehicle speed sensor)	(DATA)	Pink	Green/White	N/A	Pink



INSTALL GUIDE DODGE DURANGO 2011-2013

RETAINS STEERING WHEEL CONTROLS, UCONNECT, UCONNECT BLUETOOTH, AND MORE!



PRODUCTS REQUIRED

iDatalink Maestro RR Radio Replacement Interface
iDatalink Maestro CH1 Installation Harness

OPTIONAL ACCESSORIES

ADS-HRN(AV)-CHR01

PROGRAMMED FIRMWARE

ADS-RR(SR)-CHR01-DS

NOTICE: Automotive Data Solutions Inc. (ADS) recommends having this installation performed by a certified technician. Logos and trademarks used here in are the properties of their respective owners.

WELCOME

Congratulations on the purchase of your iDatalink Maestro RR Radio replacement solution. You are now a few simple steps away from enjoying your new car radio with enhanced features.


Before starting your installation, please ensure that your iDatalink Maestro module is programmed with the correct firmware and that you carefully review the Installation Diagram and Vehicle Wire Reference Chart.

Please note that Maestro RR will only retain functionalities that were originally available in the vehicle.

NEED HELP?

 **1 866 427-2999**

 **support@idatalink.com**

 **maestro.idatalink.com/support
www.12voltdata.com/forum**

DURING INSTALLATION

Installation Instructions	3
Wiring Diagram	5
Vehicle Wire Reference Chart	6
Radio Wire Reference Chart	7

INSTALLATION INSTRUCTIONS

STEP 1

- Unbox the aftermarket radio and locate its main harness.
- Connect the wires shown on the next page from aftermarket radio main harness to the CH1 T-harness and match the wire functions.

STEP 2

- Remove the factory radio.
- Access the main 22 pin factory radio connector **(2.1)** and determine if you have a factory amplifier.

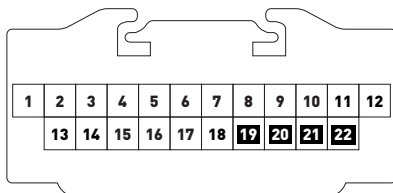


Fig. 2.1

If you don't have wires in PIN 19, 20, 21 and 22, you have a factory amplifier:

- Plug the female GREEN connector to the male GREEN connector of your CH1 T-harness.
- Plug the female WHITE connector to the male WHITE connector of your CH1 T-harness.

If you have wires in PIN 19, 20, 21 and 22, you don't have a factory amplifier:

- Plug the female GREEN connector to the male WHITE connector of your CH1 T-harness.
- Plug the female WHITE connector to the male GREEN connector of your CH1 T-harness.

STEP 3

- Plug the female BLACK connector to the male BLACK connector.

STEP 4

- Connect the factory harness to the CH1 T-harness.

STEP 5

- Access the OBDII connector located under the driver side dashboard.
- Connect the RED/BROWN wire of the CH1 T-harness to the wire located at pin 6 of the OBDII connector. (See the vehicle wire chart reference for wire colors)
- Connect the YELLOW/BROWN wire of the CH1 T-harness to the wire located at pin 14 of the OBDII connector. (See the vehicle wire chart reference for wire colors)

STEP 6

- Plug the aftermarket radio harnesses into the aftermarket radio.
- Plug the Data cable to the data port of the aftermarket radio.
- Insert the Audio cable into the iDatalink 3.5 mm audio jack of the aftermarket radio.

STEP 7

- Connect all the harnesses to the Maestro RR module then proceed to module setup.

MODULE SETUP:

- Insert the key into the ignition and turn it to the ACC position.
- The Radio will turn on and the setup screen will appear. Choose one of the two Bluetooth OPTIONS below:

OPTION 1:

- This option lets the factory Bluetooth system handle calls and the Factory and the aftermarket Bluetooth system stream Audio.
- To use the factory Bluetooth system: (The factory Bluetooth system is OFF by default)
- Scroll down to Chrysler setup and press SET
- Go to the OEM Bluetooth and press ON
- Press the BACK button (circular shaped arrow)
- Scroll down then press FINISH

INSTALLATION INSTRUCTIONS

OPTION 2:

This option lets the aftermarket Bluetooth system handle calls and stream Audio. To use the aftermarket Bluetooth system:

- Scroll to the bottom of the setup screen and press FINISH
- Install the aftermarket microphone

WARNING: Aftermarket Bluetooth system If your phone is paired to the Factory Bluetooth system you must delete the pairing from the phone to the Factory Bluetooth system.

For more information and programming procedures, see the aftermarket Bluetooth system and the factory Bluetooth system owner's manuals.

The module is now programmed and ready to be used. To access the new menus, press on CHRYSLER FEATURES.

Insert the aftermarket radio in the dashboard housing and test all the functionalities. Reassemble the dashboard carefully.

TROUBLESHOOTING TIPS:

- To reset the module back its factory settings, turn the key to the OFF position then disconnect all connectors from the module. Press and hold the module's programming button and connect all the connectors back to the module. Wait, the module's LED will flash RED rapidly (this may take up to 10 seconds). Release the programming button. Wait, the LED will turn solid GREEN for 2 seconds.
- For technical assistance call 1-866-427-2999 or e-mail "support@idatalink.com". Visit us at "maestro.idatalink.com/support" and "www.12voltdata.com/forum/"

OEM BLUETOOTH SETUP

Only one Bluetooth system can be set for hands free calling. This must be determined before installation. Both the factory and aftermarket systems can be used for Bluetooth audio streaming. If the aftermarket Bluetooth is chosen for hands free calling, the aftermarket microphone must be installed in the vehicle.

2013 Kenwood Radios:

For these radio models, the OEM Bluetooth is turned OFF by default. To turn ON the OEM Bluetooth, insert the key into the ignition and turn it to the ACC position. The Radio will turn on

and the setup screen will appear. Scroll to the bottom and select the vehicle set up menu by pressing SET. Go to the option OEM Bluetooth and select ON. Press the return arrow then scroll to the bottom of the page select FINISH.

2014 Kenwood Radios:

For these radio models, the OEM Bluetooth is turned ON by default. To turn OFF the OEM Bluetooth, insert the key into the ignition and turn it to the ACC position. The radio will turn ON and the setup screen will appear. Scroll to the bottom and select the vehicle set up menu by pressing SET. Go to the option OEM Bluetooth and select OFF.

2014 Alpine Radios:

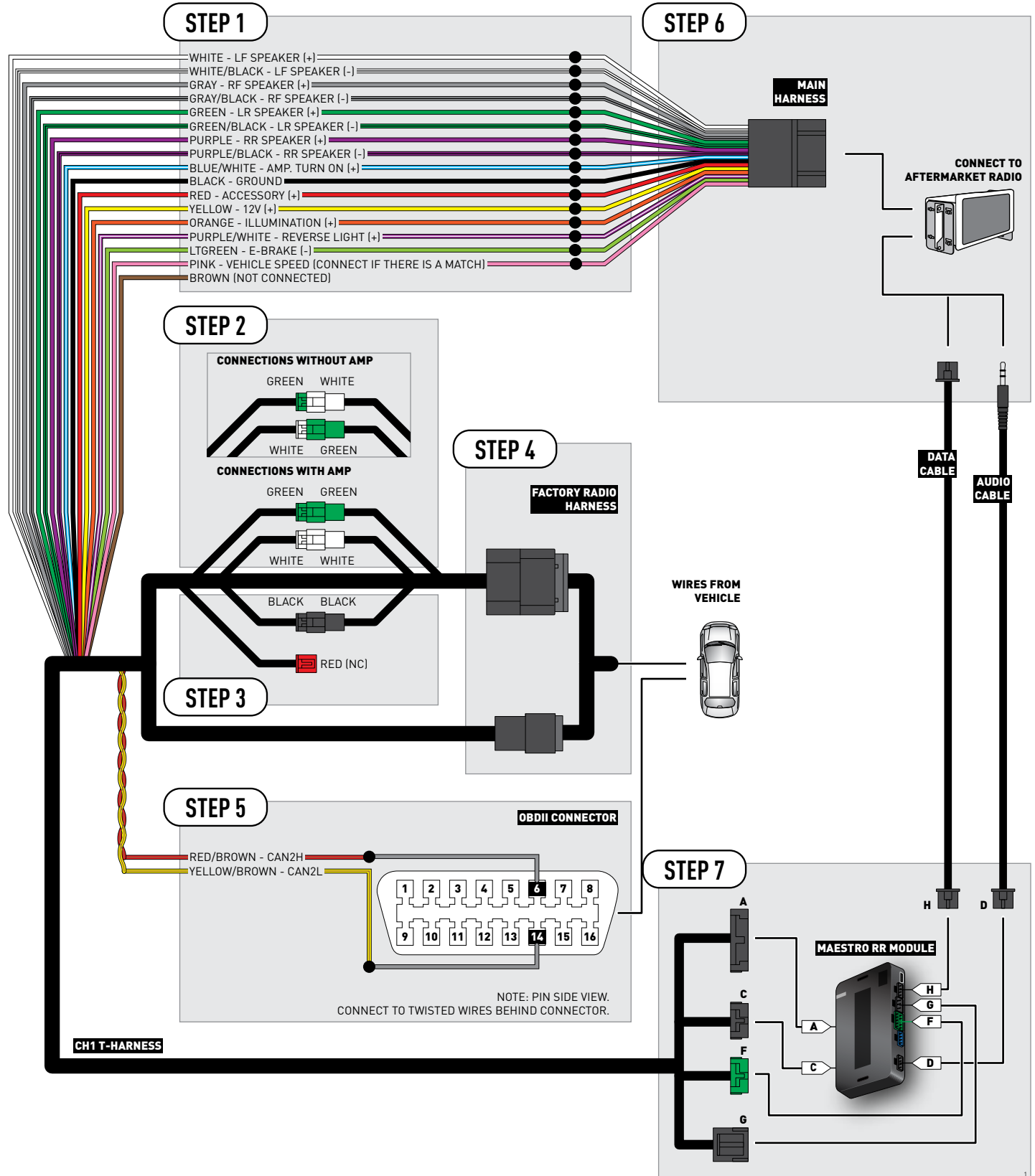
For these radio models, the OEM Bluetooth is turned ON by default. To turn OFF the OEM Bluetooth, insert the key into the ignition and turn it to the ACC position. The radio will turn ON and the main screen will appear. Select the settings button, in the top right corner, then select GENERAL. Select INTEGRATION SETUP then select HANDS FREE CONNECTION. Two options will be available ON or OFF, select OFF.

2014 Pioneer Radios:

For these radio models, the OEM Bluetooth is turned ON by default. To turn OFF the OEM Bluetooth, insert the key into the ignition and turn it to the ACC position. The radio will turn ON and the main screen will appear. Select SETUP, then SYSTEM SETUP, then IDATALINK SETUP and turn OEM Bluetooth to OFF.

Note: Bluetooth audio streaming is not supported by 2014 Pioneer radios.

WIRING DIAGRAM



VEHICLE WIRE REFERENCE CHART

Wire Description	Connector Name	Connector Color	Connector Type	Position	Wire Color	Polarity	Wire Location
CAN2H	OBDII	~	16 pin	06	White/DkGreen	[DATA]	OBDII connector, under driver side dash
CAN2L	OBDII	~	16 pin	14	White/DkBlue	[DATA]	OBDII connector, under driver side dash

RADIO WIRE REFERENCE CHART

Wire Description	Polarity	Wire Color on Maestro T-Harness	Wire Color on Alpine cable	Wire Color on Kenwood cable	Wire Color on Pioneer cable
Illumination	(+)	Orange	N/A	Orange/White	Orange/White
Reverse Light	(+)	Purple/White	Orange/White	Purple/White	Purple/White
E-Brake	(-)	Lt Green	Yellow/Blue	Lt Green	Lt Green
Foot Brake	(+)	Yellow/Black	Yellow/Black	N/A	N/A
VSS (vehicle speed sensor)	(DATA)	Pink	Green/White	N/A	Pink



INSTALL GUIDE DODGE GRAND CARAVAN 2008-2011

RETAINS STEERING WHEEL CONTROLS, UCONNECT, UCONNECT BLUETOOTH, AND MORE!



PRODUCTS REQUIRED

iDatalink Maestro RR Radio Replacement Interface
iDatalink Maestro CH1 Installation Harness

OPTIONAL ACCESSORIES

ADS-HRN(AV)-CHR01

PROGRAMMED FIRMWARE

ADS-RR(SR)-CHR01-DS

NOTICE: Automotive Data Solutions Inc. (ADS) recommends having this installation performed by a certified technician. Logos and trademarks used here in are the properties of their respective owners.

WELCOME

Congratulations on the purchase of your iDatalink Maestro RR Radio replacement solution. You are now a few simple steps away from enjoying your new car radio with enhanced features.


Before starting your installation, please ensure that your iDatalink Maestro module is programmed with the correct firmware and that you carefully review the Installation Diagram and Vehicle Wire Reference Chart.

Please note that Maestro RR will only retain functionalities that were originally available in the vehicle.

NEED HELP?

 **1 866 427-2999**

 support@idatalink.com

 maestro.idatalink.com/support
www.12voltdata.com/forum

DURING INSTALLATION

Installation Instructions	3
Wiring Diagram	5
Vehicle Wire Reference Chart	6
Radio Wire Reference Chart	7

INSTALLATION INSTRUCTIONS

STEP 1

- Unbox the aftermarket radio and locate its main harness.
- Connect the wires shown on the next page from aftermarket radio main harness to the CH1 T-harness and match the wire functions.

STEP 2

- Remove the factory radio.
- Access the main 22 pin factory radio connector **(2.1)** and determine if you have a factory amplifier.

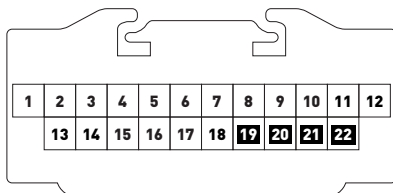


Fig. 2.1

If you don't have wires in PIN 19, 20, 21 and 22, you have a factory amplifier:

- Plug the female GREEN connector to the male GREEN connector of your CH1 T-harness.
- Plug the female WHITE connector to the male WHITE connector of your CH1 T-harness.

If you have wires in PIN 19, 20, 21 and 22, you don't have a factory amplifier:

- Plug the female GREEN connector to the male WHITE connector of your CH1 T-harness.
- Plug the female WHITE connector to the male GREEN connector of your CH1 T-harness.

STEP 3

- Plug the female BLACK connector to the male BLACK connector.

STEP 4

- Connect the factory harness to the CH1 T-harness.

STEP 5

- Access the OBDII connector located under the driver side dashboard.
- Connect the RED/BROWN wire of the CH1 T-harness to the wire located at pin 6 of the OBDII connector. (See the vehicle wire chart reference for wire colors)
- Connect the YELLOW/BROWN wire of the CH1 T-harness to the wire located at pin 14 of the OBDII connector. (See the vehicle wire chart reference for wire colors)

STEP 6

- Plug the aftermarket radio harnesses into the aftermarket radio.
- Plug the Data cable to the data port of the aftermarket radio.
- Insert the Audio cable into the iDatalink 3.5 mm audio jack of the aftermarket radio.

STEP 7

- Connect all the harnesses to the Maestro RR module then proceed to module setup.

MODULE SETUP:

- Insert the key into the ignition and turn it to the ACC position.
- The Radio will turn on and the setup screen will appear. Choose one of the two Bluetooth OPTIONS below:

OPTION 1:

- This option lets the factory Bluetooth system handle calls and the Factory and the aftermarket Bluetooth system stream Audio.
- To use the factory Bluetooth system: (The factory Bluetooth system is OFF by default)
- Scroll down to Chrysler setup and press SET
- Go to the OEM Bluetooth and press ON
- Press the BACK button (circular shaped arrow)
- Scroll down then press FINISH

INSTALLATION INSTRUCTIONS

OPTION 2:

This option lets the aftermarket Bluetooth system handle calls and stream Audio. To use the aftermarket Bluetooth system:

- Scroll to the bottom of the setup screen and press FINISH
- Install the aftermarket microphone

WARNING: Aftermarket Bluetooth system If your phone is paired to the Factory Bluetooth system you must delete the pairing from the phone to the Factory Bluetooth system.

For more information and programming procedures, see the aftermarket Bluetooth system and the factory Bluetooth system owner's manuals.

The module is now programmed and ready to be used. To access the new menus, press on CHRYSLER FEATURES.

Insert the aftermarket radio in the dashboard housing and test all the functionalities. Reassemble the dashboard carefully.

TROUBLESHOOTING TIPS:

- To reset the module back its factory settings, turn the key to the OFF position then disconnect all connectors from the module. Press and hold the module's programming button and connect all the connectors back to the module. Wait, the module's LED will flash RED rapidly (this may take up to 10 seconds). Release the programming button. Wait, the LED will turn solid GREEN for 2 seconds.
- For technical assistance call 1-866-427-2999 or e-mail "support@idatalink.com". Visit us at "maestro.idatalink.com/support" and "www.12voltdata.com/forum/"

OEM BLUETOOTH SETUP

Only one Bluetooth system can be set for hands free calling. This must be determined before installation. Both the factory and aftermarket systems can be used for Bluetooth audio streaming. If the aftermarket Bluetooth is chosen for hands free calling, the aftermarket microphone must be installed in the vehicle.

2013 Kenwood Radios:

For these radio models, the OEM Bluetooth is turned OFF by default. To turn ON the OEM Bluetooth, insert the key into the ignition and turn it to the ACC position. The Radio will turn on

and the setup screen will appear. Scroll to the bottom and select the vehicle set up menu by pressing SET. Go to the option OEM Bluetooth and select ON. Press the return arrow then scroll to the bottom of the page select FINISH.

2014 Kenwood Radios:

For these radio models, the OEM Bluetooth is turned ON by default. To turn OFF the OEM Bluetooth, insert the key into the ignition and turn it to the ACC position. The radio will turn ON and the setup screen will appear. Scroll to the bottom and select the vehicle set up menu by pressing SET. Go to the option OEM Bluetooth and select OFF.

2014 Alpine Radios:

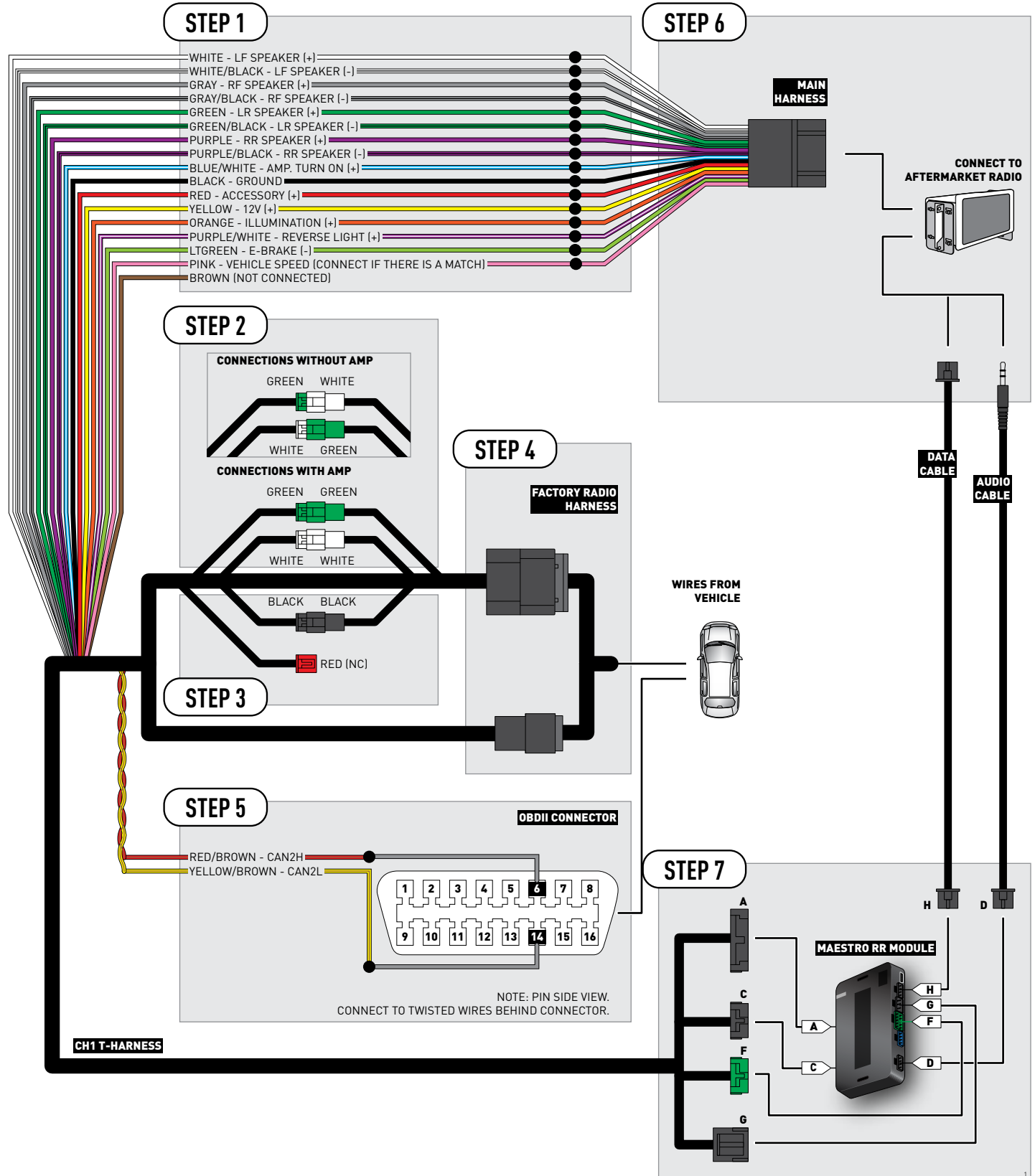
For these radio models, the OEM Bluetooth is turned ON by default. To turn OFF the OEM Bluetooth, insert the key into the ignition and turn it to the ACC position. The radio will turn ON and the main screen will appear. Select the settings button, in the top right corner, then select GENERAL. Select INTEGRATION SETUP then select HANDS FREE CONNECTION. Two options will be available ON or OFF, select OFF.

2014 Pioneer Radios:

For these radio models, the OEM Bluetooth is turned ON by default. To turn OFF the OEM Bluetooth, insert the key into the ignition and turn it to the ACC position. The radio will turn ON and the main screen will appear. Select SETUP, then SYSTEM SETUP, then IDATALINK SETUP and turn OEM Bluetooth to OFF.

Note: Bluetooth audio streaming is not supported by 2014 Pioneer radios.

WIRING DIAGRAM



VEHICLE WIRE REFERENCE CHART

Wire Description	Connector Name	Connector Color	Connector Type	Position	Wire Color	Polarity	Wire Location
CAN2H	OBDII	~	16 pin	06	White/LtBlue	[DATA]	OBDII connector, under driver side dash
CAN2L	OBDII	~	16 pin	14	White/DkBlue	[DATA]	OBDII connector, under driver side dash

RADIO WIRE REFERENCE CHART

Wire Description	Polarity	Wire Color on Maestro T-Harness	Wire Color on Alpine cable	Wire Color on Kenwood cable	Wire Color on Pioneer cable
Illumination	(+)	Orange	N/A	Orange/White	Orange/White
Reverse Light	(+)	Purple/White	Orange/White	Purple/White	Purple/White
E-Brake	(-)	Lt Green	Yellow/Blue	Lt Green	Lt Green
Foot Brake	(+)	Yellow/Black	Yellow/Black	N/A	N/A
VSS (vehicle speed sensor)	(DATA)	Pink	Green/White	N/A	Pink



INSTALL GUIDE DODGE GRAND CARAVAN 2012-2016

RETAINS STEERING WHEEL CONTROLS, UCONNECT, UCONNECT BLUETOOTH, AND MORE!



PRODUCTS REQUIRED

iDatalink Maestro RR Radio Replacement Interface
iDatalink Maestro CH1 Installation Harness

OPTIONAL ACCESSORIES

ADS-HRN(AV)-CHR01

PROGRAMMED FIRMWARE

ADS-RR(SR)-CHR01-DS

NOTICE: Automotive Data Solutions Inc. (ADS) recommends having this installation performed by a certified technician. Logos and trademarks used here in are the properties of their respective owners.

WELCOME

Congratulations on the purchase of your iDatalink Maestro RR Radio replacement solution. You are now a few simple steps away from enjoying your new car radio with enhanced features.


Before starting your installation, please ensure that your iDatalink Maestro module is programmed with the correct firmware and that you carefully review the Installation Diagram and Vehicle Wire Reference Chart.

Please note that Maestro RR will only retain functionalities that were originally available in the vehicle.

NEED HELP?

 **1 866 427-2999**

 **support@idatalink.com**

 **maestro.idatalink.com/support**
www.12voltdata.com/forum

DURING INSTALLATION

Installation Instructions	3
Wiring Diagram	5
Vehicle Wire Reference Chart	6
Radio Wire Reference Chart	7

INSTALLATION INSTRUCTIONS

STEP 1

- Unbox the aftermarket radio and locate its main harness.
- Connect the wires shown on the next page from aftermarket radio main harness to the CH1 T-harness and match the wire functions.

STEP 2

- Remove the factory radio.
- Access the main 22 pin factory radio connector **(2.1)** and determine if you have a factory amplifier.

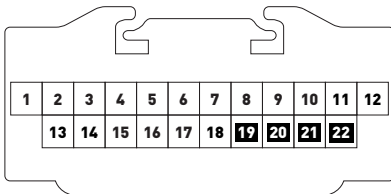


Fig. 2.1

If you don't have wires in PIN 19, 20, 21 and 22, you have a factory amplifier:

- Plug the female GREEN connector to the male GREEN connector of your CH1 T-harness.
- Plug the female WHITE connector to the male WHITE connector of your CH1 T-harness.

If you have wires in PIN 19, 20, 21 and 22, you don't have a factory amplifier:

- Plug the female GREEN connector to the male WHITE connector of your CH1 T-harness.
- Plug the female WHITE connector to the male GREEN connector of your CH1 T-harness.

STEP 3

- Plug the female BLACK connector to the male BLACK connector.

STEP 4

- Connect the factory harness to the CH1 T-harness.

STEP 5

- Access the OBDII connector located under the driver side dashboard.
- Connect the RED/BROWN wire of the CH1 T-harness to the wire located at pin 6 of the OBDII connector. (See the vehicle wire chart reference for wire colors)
- Connect the YELLOW/BROWN wire of the CH1 T-harness to the wire located at pin 14 of the OBDII connector. (See the vehicle wire chart reference for wire colors)

STEP 6

- Plug the aftermarket radio harnesses into the aftermarket radio.
- Plug the Data cable to the data port of the aftermarket radio.
- Insert the Audio cable into the iDatalink 3.5 mm audio jack of the aftermarket radio.

STEP 7

- Connect all the harnesses to the Maestro RR module then proceed to module setup.

MODULE SETUP:

- Insert the key into the ignition and turn it to the ACC position.
- The Radio will turn on and the setup screen will appear. Choose one of the two Bluetooth OPTIONS below:

OPTION 1:

- This option lets the factory Bluetooth system handle calls and the Factory and the aftermarket Bluetooth system stream Audio.
- To use the factory Bluetooth system: (The factory Bluetooth system is OFF by default)
- Scroll down to Chrysler setup and press SET
- Go to the OEM Bluetooth and press ON
- Press the BACK button (circular shaped arrow)
- Scroll down then press FINISH

INSTALLATION INSTRUCTIONS

OPTION 2:

This option lets the aftermarket Bluetooth system handle calls and stream Audio. To use the aftermarket Bluetooth system:

- Scroll to the bottom of the setup screen and press FINISH
- Install the aftermarket microphone

WARNING: Aftermarket Bluetooth system If your phone is paired to the Factory Bluetooth system you must delete the pairing from the phone to the Factory Bluetooth system.

For more information and programming procedures, see the aftermarket Bluetooth system and the factory Bluetooth system owner's manuals.

The module is now programmed and ready to be used. To access the new menus, press on CHRYSLER FEATURES.

Insert the aftermarket radio in the dashboard housing and test all the functionalities. Reassemble the dashboard carefully.

TROUBLESHOOTING TIPS:

- To reset the module back its factory settings, turn the key to the OFF position then disconnect all connectors from the module. Press and hold the module's programming button and connect all the connectors back to the module. Wait, the module's LED will flash RED rapidly (this may take up to 10 seconds). Release the programming button. Wait, the LED will turn solid GREEN for 2 seconds.
- For technical assistance call 1-866-427-2999 or e-mail "support@idatalink.com". Visit us at "maestro.idatalink.com/support" and "www.12voltdata.com/forum/"

OEM BLUETOOTH SETUP

Only one Bluetooth system can be set for hands free calling. This must be determined before installation. Both the factory and aftermarket systems can be used for Bluetooth audio streaming. If the aftermarket Bluetooth is chosen for hands free calling, the aftermarket microphone must be installed in the vehicle.

2013 Kenwood Radios:

For these radio models, the OEM Bluetooth is turned OFF by default. To turn ON the OEM Bluetooth, insert the key into the ignition and turn it to the ACC position. The Radio will turn on

and the setup screen will appear. Scroll to the bottom and select the vehicle set up menu by pressing SET. Go to the option OEM Bluetooth and select ON. Press the return arrow then scroll to the bottom of the page select FINISH.

2014 Kenwood Radios:

For these radio models, the OEM Bluetooth is turned ON by default. To turn OFF the OEM Bluetooth, insert the key into the ignition and turn it to the ACC position. The radio will turn ON and the setup screen will appear. Scroll to the bottom and select the vehicle set up menu by pressing SET. Go to the option OEM Bluetooth and select OFF.

2014 Alpine Radios:

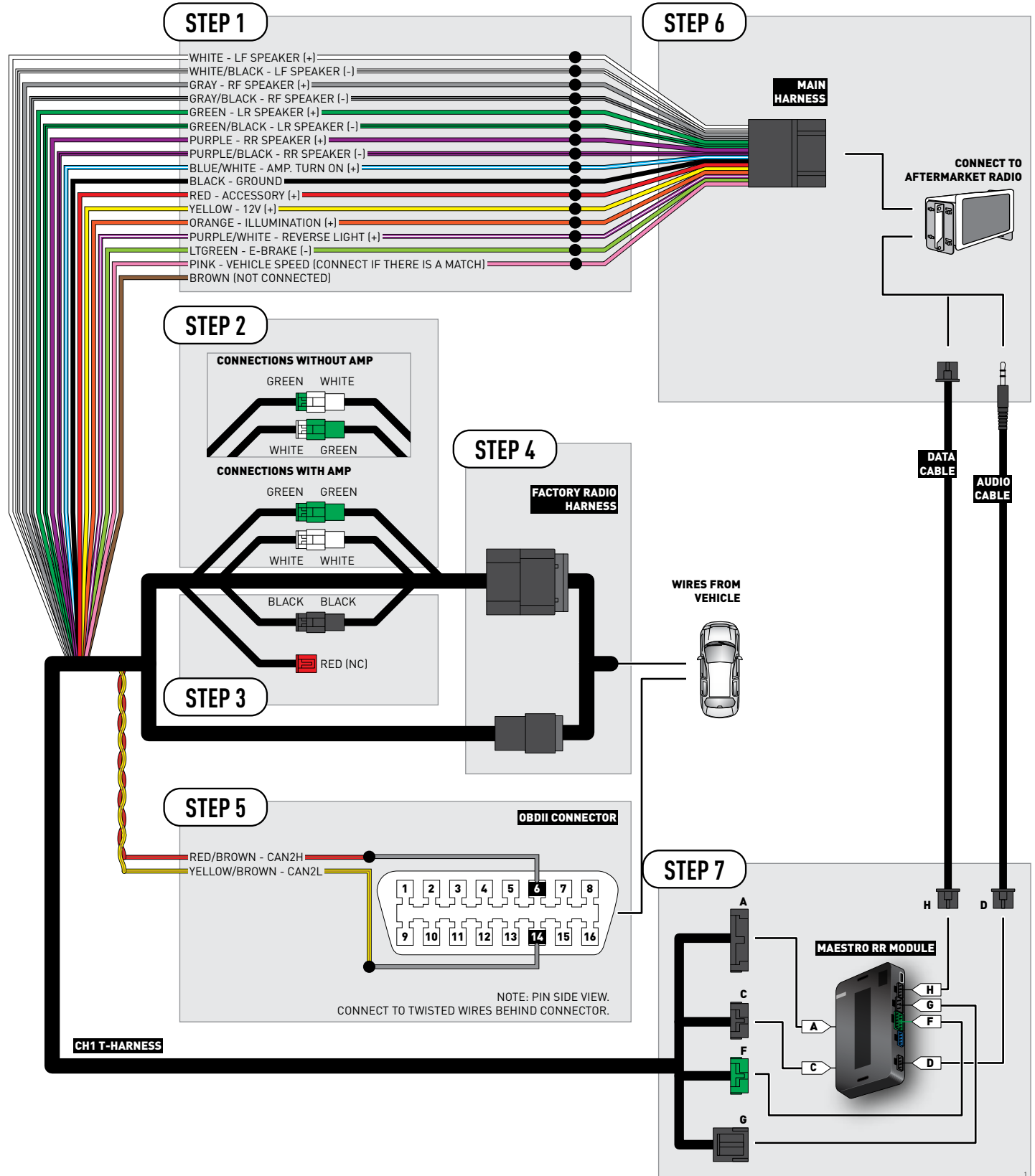
For these radio models, the OEM Bluetooth is turned ON by default. To turn OFF the OEM Bluetooth, insert the key into the ignition and turn it to the ACC position. The radio will turn ON and the main screen will appear. Select the settings button, in the top right corner, then select GENERAL. Select INTEGRATION SETUP then select HANDS FREE CONNECTION. Two options will be available ON or OFF, select OFF.

2014 Pioneer Radios:

For these radio models, the OEM Bluetooth is turned ON by default. To turn OFF the OEM Bluetooth, insert the key into the ignition and turn it to the ACC position. The radio will turn ON and the main screen will appear. Select SETUP, then SYSTEM SETUP, then IDATALINK SETUP and turn OEM Bluetooth to OFF.

Note: Bluetooth audio streaming is not supported by 2014 Pioneer radios.

WIRING DIAGRAM



VEHICLE WIRE REFERENCE CHART

Wire Description	Connector Name	Connector Color	Connector Type	Position	Wire Color	Polarity	Wire Location
CAN2H	OBDII	~	16 pin	06	White/LtBlue	[DATA]	OBDII connector, under driver side dash
CAN2L	OBDII	~	16 pin	14	White	[DATA]	OBDII connector, under driver side dash

RADIO WIRE REFERENCE CHART

Wire Description	Polarity	Wire Color on Maestro T-Harness	Wire Color on Alpine cable	Wire Color on Kenwood cable	Wire Color on Pioneer cable
Illumination	(+)	Orange	N/A	Orange/White	Orange/White
Reverse Light	(+)	Purple/White	Orange/White	Purple/White	Purple/White
E-Brake	(-)	Lt Green	Yellow/Blue	Lt Green	Lt Green
Foot Brake	(+)	Yellow/Black	Yellow/Black	N/A	N/A
VSS (vehicle speed sensor)	(DATA)	Pink	Green/White	N/A	Pink



INSTALL GUIDE DODGE JOURNEY 2009-2010

RETAINS STEERING WHEEL CONTROLS, UCONNECT, UCONNECT BLUETOOTH, AND MORE!



PRODUCTS REQUIRED

iDatalink Maestro RR Radio Replacement Interface
iDatalink Maestro CH1 Installation Harness

OPTIONAL ACCESSORIES

ADS-HRN(AV)-CHR01

PROGRAMMED FIRMWARE

ADS-RR(SR)-CHR01-DS

NOTICE: Automotive Data Solutions Inc. (ADS) recommends having this installation performed by a certified technician. Logos and trademarks used here in are the properties of their respective owners.

WELCOME

Congratulations on the purchase of your iDatalink Maestro RR Radio replacement solution. You are now a few simple steps away from enjoying your new car radio with enhanced features.

Before starting your installation, please ensure that your iDatalink Maestro module is programmed with the correct firmware and that you carefully review the Installation Diagram and Vehicle Wire Reference Chart.

Please note that Maestro RR will only retain functionalities that were originally available in the vehicle.

NEED HELP?

 **1 866 427-2999**

 **support@idatalink.com**

 **maestro.idatalink.com/support
www.12voltdata.com/forum**

DURING INSTALLATION

Installation Instructions	3
Wiring Diagram	5
Vehicle Wire Reference Chart	6
Radio Wire Reference Chart	7

INSTALLATION INSTRUCTIONS

STEP 1

- Unbox the aftermarket radio and locate its main harness.
- Connect the wires shown on the next page from aftermarket radio main harness to the CH1 T-harness and match the wire functions.

STEP 2

- Remove the factory radio.
- Access the main 22 pin factory radio connector **(2.1)** and determine if you have a factory amplifier.

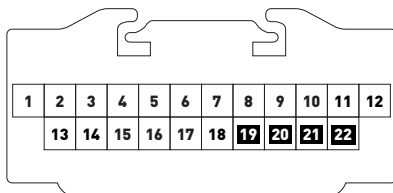


Fig. 2.1

If you don't have wires in PIN 19, 20, 21 and 22, you have a factory amplifier:

- Plug the female GREEN connector to the male GREEN connector of your CH1 T-harness.
- Plug the female WHITE connector to the male WHITE connector of your CH1 T-harness.

If you have wires in PIN 19, 20, 21 and 22, you don't have a factory amplifier:

- Plug the female GREEN connector to the male WHITE connector of your CH1 T-harness.
- Plug the female WHITE connector to the male GREEN connector of your CH1 T-harness.

STEP 3

- Plug the female BLACK connector to the male BLACK connector.

STEP 4

- Connect the factory harness to the CH1 T-harness.

STEP 5

- Access the OBDII connector located under the driver side dashboard.
- Connect the RED/BROWN wire of the CH1 T-harness to the wire located at pin 6 of the OBDII connector. (See the vehicle wire chart reference for wire colors)
- Connect the YELLOW/BROWN wire of the CH1 T-harness to the wire located at pin 14 of the OBDII connector. (See the vehicle wire chart reference for wire colors)

STEP 6

- Plug the aftermarket radio harnesses into the aftermarket radio.
- Plug the Data cable to the data port of the aftermarket radio.
- Insert the Audio cable into the iDatalink 3.5 mm audio jack of the aftermarket radio.

STEP 7

- Connect all the harnesses to the Maestro RR module then proceed to module setup.

MODULE SETUP:

- Insert the key into the ignition and turn it to the ACC position.
- The Radio will turn on and the setup screen will appear. Choose one of the two Bluetooth OPTIONS below:

OPTION 1:

- This option lets the factory Bluetooth system handle calls and the Factory and the aftermarket Bluetooth system stream Audio.
- To use the factory Bluetooth system: (The factory Bluetooth system is OFF by default)
- Scroll down to Chrysler setup and press SET
- Go to the OEM Bluetooth and press ON
- Press the BACK button (circular shaped arrow)
- Scroll down then press FINISH

INSTALLATION INSTRUCTIONS

OPTION 2:

This option lets the aftermarket Bluetooth system handle calls and stream Audio. To use the aftermarket Bluetooth system:

- Scroll to the bottom of the setup screen and press FINISH
- Install the aftermarket microphone

WARNING: Aftermarket Bluetooth system If your phone is paired to the Factory Bluetooth system you must delete the pairing from the phone to the Factory Bluetooth system.

For more information and programming procedures, see the aftermarket Bluetooth system and the factory Bluetooth system owner's manuals.

The module is now programmed and ready to be used. To access the new menus, press on CHRYSLER FEATURES.

Insert the aftermarket radio in the dashboard housing and test all the functionalities. Reassemble the dashboard carefully.

TROUBLESHOOTING TIPS:

- To reset the module back its factory settings, turn the key to the OFF position then disconnect all connectors from the module. Press and hold the module's programming button and connect all the connectors back to the module. Wait, the module's LED will flash RED rapidly (this may take up to 10 seconds). Release the programming button. Wait, the LED will turn solid GREEN for 2 seconds.
- For technical assistance call 1-866-427-2999 or e-mail "support@idatalink.com". Visit us at "maestro.idatalink.com/support" and "www.12voltdata.com/forum/"

OEM BLUETOOTH SETUP

Only one Bluetooth system can be set for hands free calling. This must be determined before installation. Both the factory and aftermarket systems can be used for Bluetooth audio streaming. If the aftermarket Bluetooth is chosen for hands free calling, the aftermarket microphone must be installed in the vehicle.

2013 Kenwood Radios:

For these radio models, the OEM Bluetooth is turned OFF by default. To turn ON the OEM Bluetooth, insert the key into the ignition and turn it to the ACC position. The Radio will turn on

and the setup screen will appear. Scroll to the bottom and select the vehicle set up menu by pressing SET. Go to the option OEM Bluetooth and select ON. Press the return arrow then scroll to the bottom of the page select FINISH.

2014 Kenwood Radios:

For these radio models, the OEM Bluetooth is turned ON by default. To turn OFF the OEM Bluetooth, insert the key into the ignition and turn it to the ACC position. The radio will turn ON and the setup screen will appear. Scroll to the bottom and select the vehicle set up menu by pressing SET. Go to the option OEM Bluetooth and select OFF.

2014 Alpine Radios:

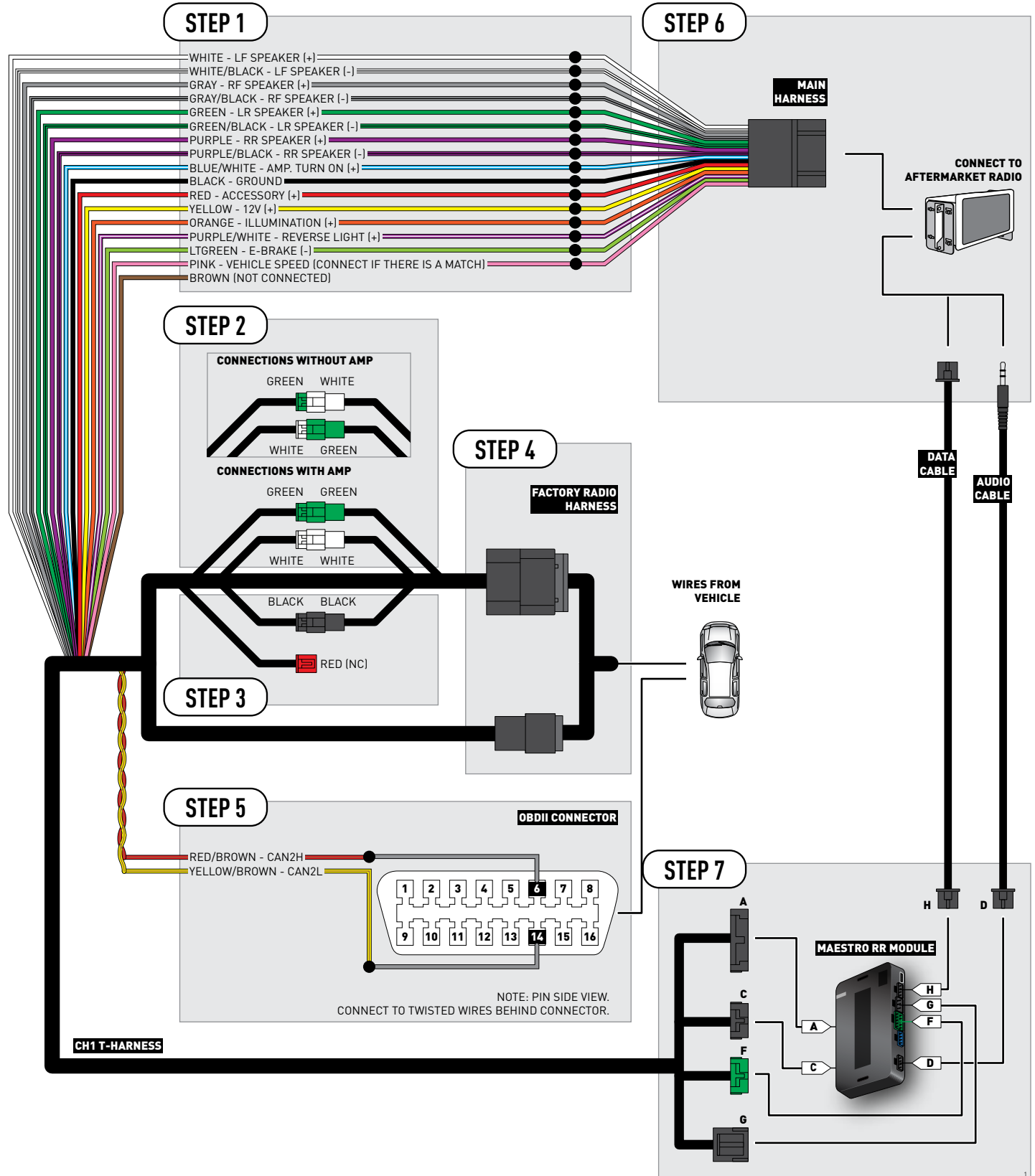
For these radio models, the OEM Bluetooth is turned ON by default. To turn OFF the OEM Bluetooth, insert the key into the ignition and turn it to the ACC position. The radio will turn ON and the main screen will appear. Select the settings button, in the top right corner, then select GENERAL. Select INTEGRATION SETUP then select HANDS FREE CONNECTION. Two options will be available ON or OFF, select OFF.

2014 Pioneer Radios:

For these radio models, the OEM Bluetooth is turned ON by default. To turn OFF the OEM Bluetooth, insert the key into the ignition and turn it to the ACC position. The radio will turn ON and the main screen will appear. Select SETUP, then SYSTEM SETUP, then IDATALINK SETUP and turn OEM Bluetooth to OFF.

Note: Bluetooth audio streaming is not supported by 2014 Pioneer radios.

WIRING DIAGRAM



VEHICLE WIRE REFERENCE CHART

Wire Description	Connector Name	Connector Color	Connector Type	Position	Wire Color	Polarity	Wire Location
CAN2H	OBDII	~	16 pin	06	White/DkGreen	[DATA]	OBDII connector, under driver side dash
CAN2L	OBDII	~	16 pin	14	White/DkBlue	[DATA]	OBDII connector, under driver side dash

RADIO WIRE REFERENCE CHART

Wire Description	Polarity	Wire Color on Maestro T-Harness	Wire Color on Alpine cable	Wire Color on Kenwood cable	Wire Color on Pioneer cable
Illumination	(+)	Orange	N/A	Orange/White	Orange/White
Reverse Light	(+)	Purple/White	Orange/White	Purple/White	Purple/White
E-Brake	(-)	Lt Green	Yellow/Blue	Lt Green	Lt Green
Foot Brake	(+)	Yellow/Black	Yellow/Black	N/A	N/A
VSS (vehicle speed sensor)	(DATA)	Pink	Green/White	N/A	Pink



INSTALL GUIDE DODGE NITRO 2007-2011

RETAINS STEERING WHEEL CONTROLS, UCONNECT, UCONNECT BLUETOOTH, AND MORE!



PRODUCTS REQUIRED

iDatalink Maestro RR Radio Replacement Interface
iDatalink Maestro CH1 Installation Harness

OPTIONAL ACCESSORIES

ADS-HRN(AV)-CHR01

PROGRAMMED FIRMWARE

ADS-RR(SR)-CHR01-DS

NOTICE: Automotive Data Solutions Inc. (ADS) recommends having this installation performed by a certified technician. Logos and trademarks used here in are the properties of their respective owners.

WELCOME

Congratulations on the purchase of your iDatalink Maestro RR Radio replacement solution. You are now a few simple steps away from enjoying your new car radio with enhanced features.

Before starting your installation, please ensure that your iDatalink Maestro module is programmed with the correct firmware and that you carefully review the Installation Diagram and Vehicle Wire Reference Chart.

Please note that Maestro RR will only retain functionalities that were originally available in the vehicle.

NEED HELP?

 **1 866 427-2999**

 support@idatalink.com

 maestro.idatalink.com/support
www.12voltdata.com/forum

DURING INSTALLATION

Installation Instructions	3
Wiring Diagram	5
Vehicle Wire Reference Chart	6
Radio Wire Reference Chart	7

INSTALLATION INSTRUCTIONS

STEP 1

- Unbox the aftermarket radio and locate its main harness.
- Connect the wires shown on the next page from aftermarket radio main harness to the CH1 T-harness and match the wire functions.

STEP 2

- Remove the factory radio.
- Access the main 22 pin factory radio connector **(2.1)** and determine if you have a factory amplifier.

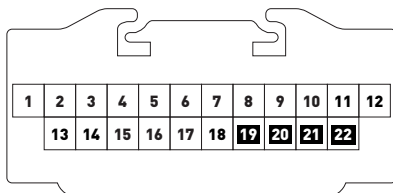


Fig. 2.1

If you don't have wires in PIN 19, 20, 21 and 22, you have a factory amplifier:

- Plug the female GREEN connector to the male GREEN connector of your CH1 T-harness.
- Plug the female WHITE connector to the male WHITE connector of your CH1 T-harness.

If you have wires in PIN 19, 20, 21 and 22, you don't have a factory amplifier:

- Plug the female GREEN connector to the male WHITE connector of your CH1 T-harness.
- Plug the female WHITE connector to the male GREEN connector of your CH1 T-harness.

STEP 3

- Plug the female BLACK connector to the male BLACK connector.

STEP 4

- Connect the factory harness to the CH1 T-harness.

STEP 5

- Access the OBDII connector located under the driver side dashboard.
- Connect the RED/BROWN wire of the CH1 T-harness to the wire located at pin 6 of the OBDII connector. (See the vehicle wire chart reference for wire colors)
- Connect the YELLOW/BROWN wire of the CH1 T-harness to the wire located at pin 14 of the OBDII connector. (See the vehicle wire chart reference for wire colors)

STEP 6

- Plug the aftermarket radio harnesses into the aftermarket radio.
- Plug the Data cable to the data port of the aftermarket radio.
- Insert the Audio cable into the iDatalink 3.5 mm audio jack of the aftermarket radio.

STEP 7

- Connect all the harnesses to the Maestro RR module then proceed to module setup.

MODULE SETUP:

- Insert the key into the ignition and turn it to the ACC position.
- The Radio will turn on and the setup screen will appear. Choose one of the two Bluetooth OPTIONS below:

OPTION 1:

- This option lets the factory Bluetooth system handle calls and the Factory and the aftermarket Bluetooth system stream Audio.
- To use the factory Bluetooth system: (The factory Bluetooth system is OFF by default)
- Scroll down to Chrysler setup and press SET
- Go to the OEM Bluetooth and press ON
- Press the BACK button (circular shaped arrow)
- Scroll down then press FINISH

INSTALLATION INSTRUCTIONS

OPTION 2:

This option lets the aftermarket Bluetooth system handle calls and stream Audio. To use the aftermarket Bluetooth system:

- Scroll to the bottom of the setup screen and press FINISH
- Install the aftermarket microphone

WARNING: Aftermarket Bluetooth system If your phone is paired to the Factory Bluetooth system you must delete the pairing from the phone to the Factory Bluetooth system.

For more information and programming procedures, see the aftermarket Bluetooth system and the factory Bluetooth system owner's manuals.

The module is now programmed and ready to be used. To access the new menus, press on CHRYSLER FEATURES.

Insert the aftermarket radio in the dashboard housing and test all the functionalities. Reassemble the dashboard carefully.

TROUBLESHOOTING TIPS:

- To reset the module back its factory settings, turn the key to the OFF position then disconnect all connectors from the module. Press and hold the module's programming button and connect all the connectors back to the module. Wait, the module's LED will flash RED rapidly (this may take up to 10 seconds). Release the programming button. Wait, the LED will turn solid GREEN for 2 seconds.
- For technical assistance call 1-866-427-2999 or e-mail "support@idatalink.com". Visit us at "maestro.idatalink.com/support" and "www.12voltdata.com/forum/"

OEM BLUETOOTH SETUP

Only one Bluetooth system can be set for hands free calling. This must be determined before installation. Both the factory and aftermarket systems can be used for Bluetooth audio streaming. If the aftermarket Bluetooth is chosen for hands free calling, the aftermarket microphone must be installed in the vehicle.

2013 Kenwood Radios:

For these radio models, the OEM Bluetooth is turned OFF by default. To turn ON the OEM Bluetooth, insert the key into the ignition and turn it to the ACC position. The Radio will turn on

and the setup screen will appear. Scroll to the bottom and select the vehicle set up menu by pressing SET. Go to the option OEM Bluetooth and select ON. Press the return arrow then scroll to the bottom of the page select FINISH.

2014 Kenwood Radios:

For these radio models, the OEM Bluetooth is turned ON by default. To turn OFF the OEM Bluetooth, insert the key into the ignition and turn it to the ACC position. The radio will turn ON and the setup screen will appear. Scroll to the bottom and select the vehicle set up menu by pressing SET. Go to the option OEM Bluetooth and select OFF.

2014 Alpine Radios:

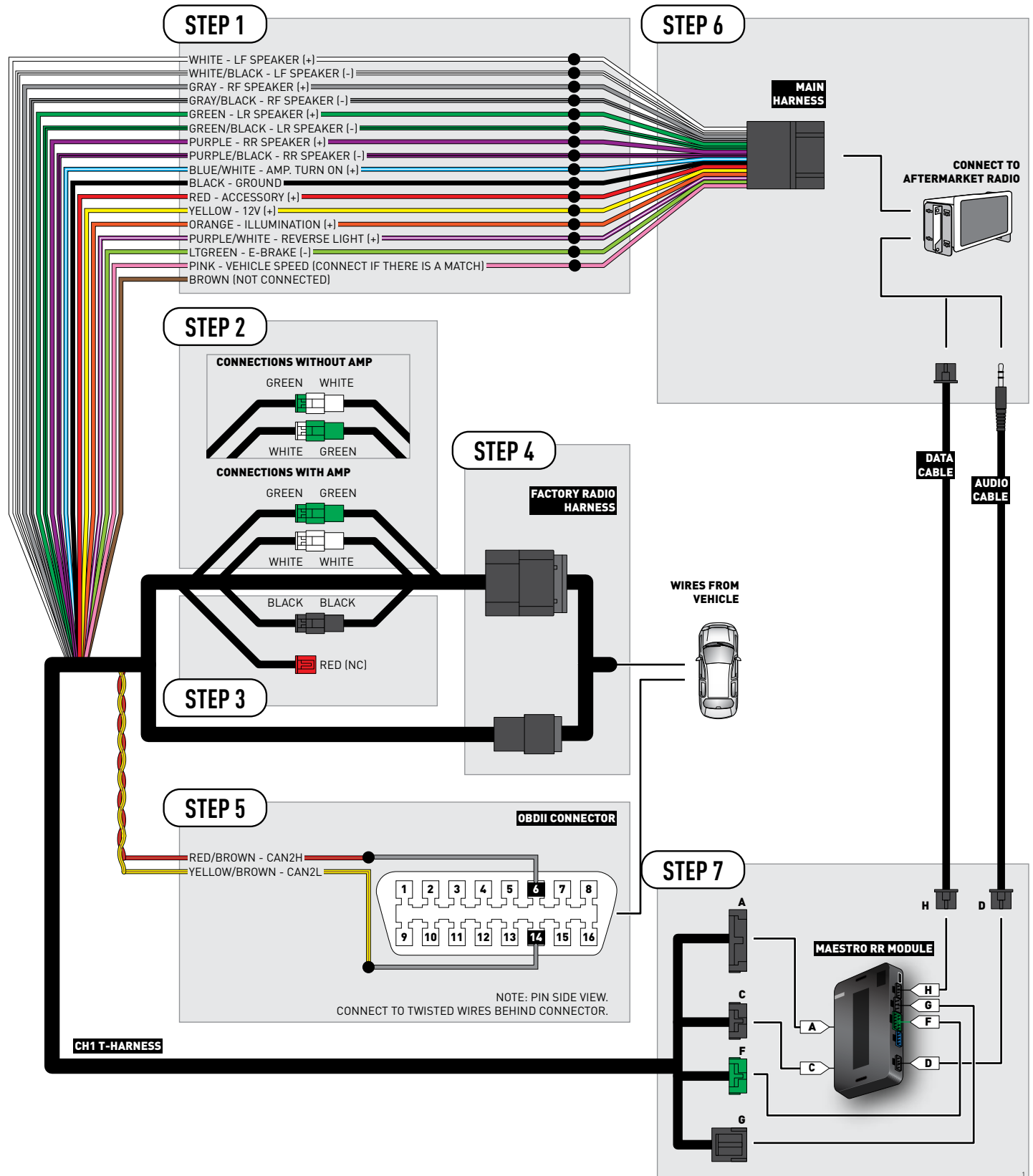
For these radio models, the OEM Bluetooth is turned ON by default. To turn OFF the OEM Bluetooth, insert the key into the ignition and turn it to the ACC position. The radio will turn ON and the main screen will appear. Select the settings button, in the top right corner, then select GENERAL. Select INTEGRATION SETUP then select HANDS FREE CONNECTION. Two options will be available ON or OFF, select OFF.

2014 Pioneer Radios:

For these radio models, the OEM Bluetooth is turned ON by default. To turn OFF the OEM Bluetooth, insert the key into the ignition and turn it to the ACC position. The radio will turn ON and the main screen will appear. Select SETUP, then SYSTEM SETUP, then IDATALINK SETUP and turn OEM Bluetooth to OFF.

Note: Bluetooth audio streaming is not supported by 2014 Pioneer radios.

WIRING DIAGRAM



VEHICLE WIRE REFERENCE CHART

Wire Description	Connector Name	Connector Color	Connector Type	Position	Wire Color	Polarity	Wire Location
CAN2H	OBDII	~	16 pin	06	White/LtBlue	[DATA]	OBDII connector, under driver side dash
CAN2L	OBDII	~	16 pin	14	White/DkBlue	[DATA]	OBDII connector, under driver side dash

RADIO WIRE REFERENCE CHART

Wire Description	Polarity	Wire Color on Maestro T-Harness	Wire Color on Alpine cable	Wire Color on Kenwood cable	Wire Color on Pioneer cable
Illumination	(+)	Orange	N/A	Orange/White	Orange/White
Reverse Light	(+)	Purple/White	Orange/White	Purple/White	Purple/White
E-Brake	(-)	Lt Green	Yellow/Blue	Lt Green	Lt Green
Foot Brake	(+)	Yellow/Black	Yellow/Black	N/A	N/A
VSS (vehicle speed sensor)	(DATA)	Pink	Green/White	N/A	Pink



INSTALL GUIDE DODGE RAM CV 2010-2015

RETAINS STEERING WHEEL CONTROLS, UCONNECT, UCONNECT BLUETOOTH, AND MORE!



PRODUCTS REQUIRED

iDatalink Maestro RR Radio Replacement Interface
iDatalink Maestro CH1 Installation Harness

OPTIONAL ACCESSORIES

ADS-HRN(AV)-CHR01

PROGRAMMED FIRMWARE

ADS-RR(SR)-CHR01-DS

NOTICE: Automotive Data Solutions Inc. (ADS) recommends having this installation performed by a certified technician. Logos and trademarks used here in are the properties of their respective owners.

WELCOME

Congratulations on the purchase of your iDatalink Maestro RR Radio replacement solution. You are now a few simple steps away from enjoying your new car radio with enhanced features.

Before starting your installation, please ensure that your iDatalink Maestro module is programmed with the correct firmware and that you carefully review the Installation Diagram and Vehicle Wire Reference Chart.

Please note that Maestro RR will only retain functionalities that were originally available in the vehicle.

NEED HELP?

 **1 866 427-2999**

 **support@idatalink.com**

 **maestro.idatalink.com/support
www.12voltdata.com/forum**

DURING INSTALLATION

Installation Instructions	3
Wiring Diagram	5
Vehicle Wire Reference Chart	6
Radio Wire Reference Chart	7

INSTALLATION INSTRUCTIONS

STEP 1

- Unbox the aftermarket radio and locate its main harness.
- Connect the wires shown on the next page from aftermarket radio main harness to the CH1 T-harness and match the wire functions.

STEP 2

- Remove the factory radio.
- Access the main 22 pin factory radio connector **(2.1)** and determine if you have a factory amplifier.

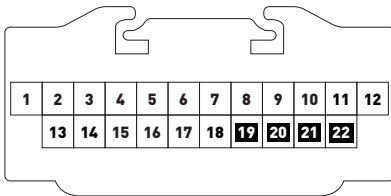


Fig. 2.1

If you don't have wires in PIN 19, 20, 21 and 22, you have a factory amplifier:

- Plug the female GREEN connector to the male GREEN connector of your CH1 T-harness.
- Plug the female WHITE connector to the male WHITE connector of your CH1 T-harness.

If you have wires in PIN 19, 20, 21 and 22, you don't have a factory amplifier:

- Plug the female GREEN connector to the male WHITE connector of your CH1 T-harness.
- Plug the female WHITE connector to the male GREEN connector of your CH1 T-harness.

STEP 3

- Plug the female BLACK connector to the male BLACK connector.

STEP 4

- Connect the factory harness to the CH1 T-harness.

STEP 5

- Access the OBDII connector located under the driver side dashboard.
- Connect the RED/BROWN wire of the CH1 T-harness to the wire located at pin 6 of the OBDII connector. (See the vehicle wire chart reference for wire colors)
- Connect the YELLOW/BROWN wire of the CH1 T-harness to the wire located at pin 14 of the OBDII connector. (See the vehicle wire chart reference for wire colors)

STEP 6

- Plug the aftermarket radio harnesses into the aftermarket radio.
- Plug the Data cable to the data port of the aftermarket radio.
- Insert the Audio cable into the iDatalink 3.5 mm audio jack of the aftermarket radio.

STEP 7

- Connect all the harnesses to the Maestro RR module then proceed to module setup.

MODULE SETUP:

- Insert the key into the ignition and turn it to the ACC position.
- The Radio will turn on and the setup screen will appear. Choose one of the two Bluetooth OPTIONS below:

OPTION 1:

- This option lets the factory Bluetooth system handle calls and the Factory and the aftermarket Bluetooth system stream Audio.
- To use the factory Bluetooth system: (The factory Bluetooth system is OFF by default)
- Scroll down to Chrysler setup and press SET
- Go to the OEM Bluetooth and press ON
- Press the BACK button (circular shaped arrow)
- Scroll down then press FINISH

INSTALLATION INSTRUCTIONS

OPTION 2:

This option lets the aftermarket Bluetooth system handle calls and stream Audio. To use the aftermarket Bluetooth system:

- Scroll to the bottom of the setup screen and press FINISH
- Install the aftermarket microphone

WARNING: Aftermarket Bluetooth system If your phone is paired to the Factory Bluetooth system you must delete the pairing from the phone to the Factory Bluetooth system.

For more information and programming procedures, see the aftermarket Bluetooth system and the factory Bluetooth system owner's manuals.

The module is now programmed and ready to be used. To access the new menus, press on CHRYSLER FEATURES.

Insert the aftermarket radio in the dashboard housing and test all the functionalities. Reassemble the dashboard carefully.

TROUBLESHOOTING TIPS:

- To reset the module back its factory settings, turn the key to the OFF position then disconnect all connectors from the module. Press and hold the module's programming button and connect all the connectors back to the module. Wait, the module's LED will flash RED rapidly (this may take up to 10 seconds). Release the programming button. Wait, the LED will turn solid GREEN for 2 seconds.
- For technical assistance call 1-866-427-2999 or e-mail "support@idatalink.com". Visit us at "maestro.idatalink.com/support" and "www.12voltdata.com/forum/"

OEM BLUETOOTH SETUP

Only one Bluetooth system can be set for hands free calling. This must be determined before installation. Both the factory and aftermarket systems can be used for Bluetooth audio streaming. If the aftermarket Bluetooth is chosen for hands free calling, the aftermarket microphone must be installed in the vehicle.

2013 Kenwood Radios:

For these radio models, the OEM Bluetooth is turned OFF by default. To turn ON the OEM Bluetooth, insert the key into the ignition and turn it to the ACC position. The Radio will turn on

and the setup screen will appear. Scroll to the bottom and select the vehicle set up menu by pressing SET. Go to the option OEM Bluetooth and select ON. Press the return arrow then scroll to the bottom of the page select FINISH.

2014 Kenwood Radios:

For these radio models, the OEM Bluetooth is turned ON by default. To turn OFF the OEM Bluetooth, insert the key into the ignition and turn it to the ACC position. The radio will turn ON and the setup screen will appear. Scroll to the bottom and select the vehicle set up menu by pressing SET. Go to the option OEM Bluetooth and select OFF.

2014 Alpine Radios:

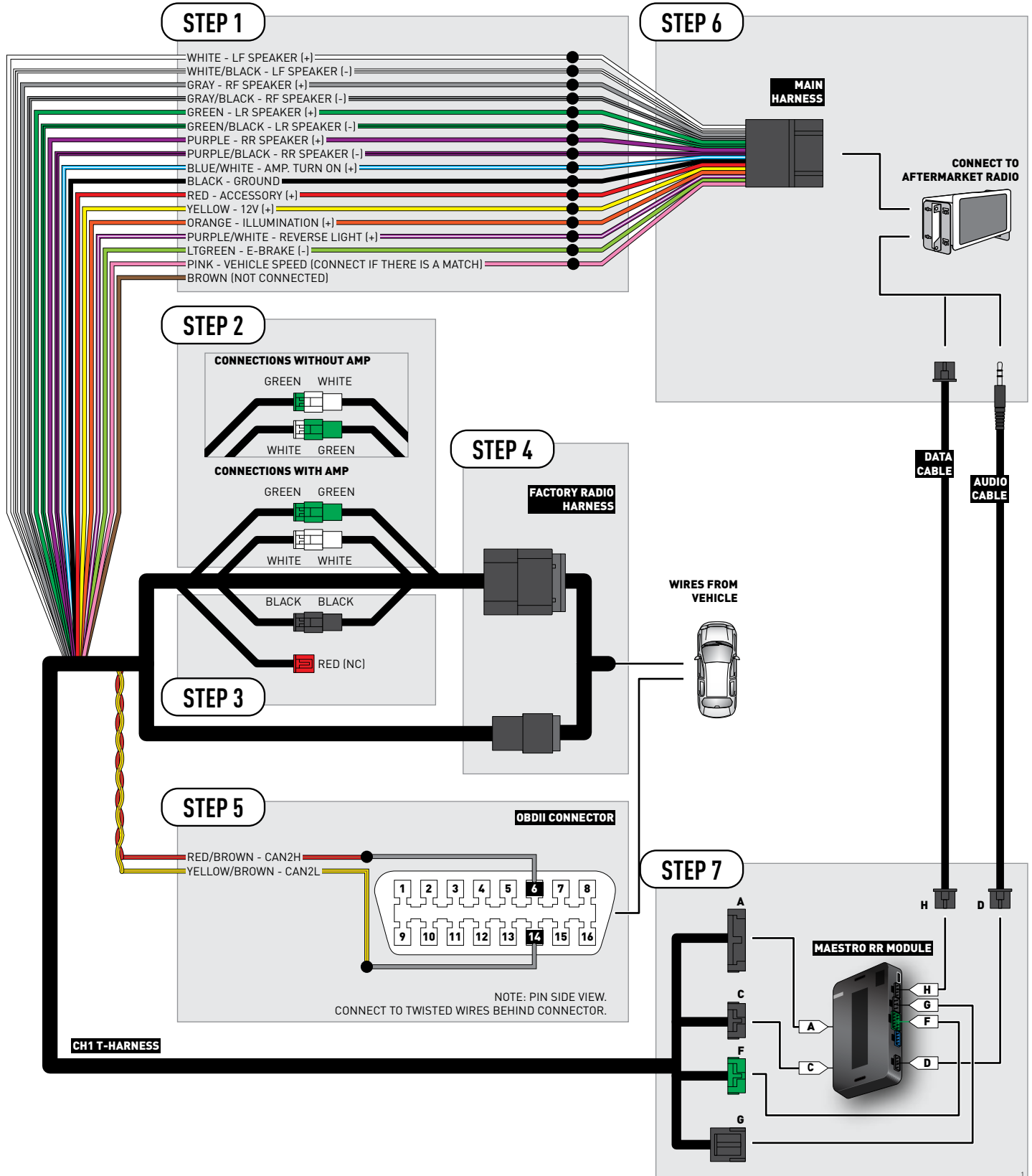
For these radio models, the OEM Bluetooth is turned ON by default. To turn OFF the OEM Bluetooth, insert the key into the ignition and turn it to the ACC position. The radio will turn ON and the main screen will appear. Select the settings button, in the top right corner, then select GENERAL. Select INTEGRATION SETUP then select HANDS FREE CONNECTION. Two options will be available ON or OFF, select OFF.

2014 Pioneer Radios:

For these radio models, the OEM Bluetooth is turned ON by default. To turn OFF the OEM Bluetooth, insert the key into the ignition and turn it to the ACC position. The radio will turn ON and the main screen will appear. Select SETUP, then SYSTEM SETUP, then IDATALINK SETUP and turn OEM Bluetooth to OFF.

Note: Bluetooth audio streaming is not supported by 2014 Pioneer radios.

WIRING DIAGRAM



VEHICLE WIRE REFERENCE CHART

Wire Description	Connector Name	Connector Color	Connector Type	Position	Wire Color	Polarity	Wire Location
CAN2H	OBDII	~	16 pin	06	White/LtBlue	[DATA]	OBDII connector, under driver side dash
CAN2L	OBDII	~	16 pin	14	White	[DATA]	OBDII connector, under driver side dash

RADIO WIRE REFERENCE CHART

Wire Description	Polarity	Wire Color on Maestro T-Harness	Wire Color on Alpine cable	Wire Color on Kenwood cable	Wire Color on Pioneer cable
Illumination	(+)	Orange	N/A	Orange/White	Orange/White
Reverse Light	(+)	Purple/White	Orange/White	Purple/White	Purple/White
E-Brake	(-)	Lt Green	Yellow/Blue	Lt Green	Lt Green
Foot Brake	(+)	Yellow/Black	Yellow/Black	N/A	N/A
VSS (vehicle speed sensor)	(DATA)	Pink	Green/White	N/A	Pink



INSTALL GUIDE JEEP COMMANDER 2008-2010

RETAINS STEERING WHEEL CONTROLS, UCONNECT, UCONNECT BLUETOOTH, AND MORE!



PRODUCTS REQUIRED

iDatalink Maestro RR Radio Replacement Interface
iDatalink Maestro CH1 Installation Harness

OPTIONAL ACCESSORIES

ADS-HRN(AV)-CHR01

PROGRAMMED FIRMWARE

ADS-RR(SR)-CHR01-DS

NOTICE: Automotive Data Solutions Inc. (ADS) recommends having this installation performed by a certified technician. Logos and trademarks used here in are the properties of their respective owners.

WELCOME

Congratulations on the purchase of your iDatalink Maestro RR Radio replacement solution. You are now a few simple steps away from enjoying your new car radio with enhanced features.


Before starting your installation, please ensure that your iDatalink Maestro module is programmed with the correct firmware and that you carefully review the Installation Diagram and Vehicle Wire Reference Chart.

Please note that Maestro RR will only retain functionalities that were originally available in the vehicle.

NEED HELP?

 **1 866 427-2999**

 **support@idatalink.com**

 **maestro.idatalink.com/support
www.12voltdata.com/forum**

DURING INSTALLATION

Installation Instructions	3
Wiring Diagram	5
Vehicle Wire Reference Chart	6
Radio Wire Reference Chart	7

INSTALLATION INSTRUCTIONS

STEP 1

- Unbox the aftermarket radio and locate its main harness.
- Connect the wires shown on the next page from aftermarket radio main harness to the CH1 T-harness and match the wire functions.

STEP 2

- Remove the factory radio.
- Access the main 22 pin factory radio connector **(2.1)** and determine if you have a factory amplifier.

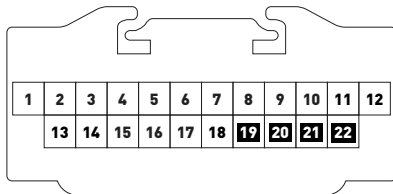


Fig. 2.1

If you don't have wires in PIN 19, 20, 21 and 22, you have a factory amplifier:

- Plug the female GREEN connector to the male GREEN connector of your CH1 T-harness.
- Plug the female WHITE connector to the male WHITE connector of your CH1 T-harness.

If you have wires in PIN 19, 20, 21 and 22, you don't have a factory amplifier:

- Plug the female GREEN connector to the male WHITE connector of your CH1 T-harness.
- Plug the female WHITE connector to the male GREEN connector of your CH1 T-harness.

STEP 3

- Plug the female RED connector to the male BLACK connector.

STEP 4

- Connect the factory harness to the CH1 T-harness.

STEP 5

- Access the OBDII connector located under the driver side dashboard.
- Connect the RED/BROWN wire of the CH1 T-harness to the wire located at pin 6 of the OBDII connector. (See the vehicle wire chart reference for wire colors)
- Connect the YELLOW/BROWN wire of the CH1 T-harness to the wire located at pin 14 of the OBDII connector. (See the vehicle wire chart reference for wire colors)

STEP 6

- Plug the aftermarket radio harnesses into the aftermarket radio.
- Plug the Data cable to the data port of the aftermarket radio.
- Insert the Audio cable into the iDatalink 3.5 mm audio jack of the aftermarket radio.

STEP 7

- Connect all the harnesses to the Maestro RR module then proceed to module setup.

MODULE SETUP:

- Insert the key into the ignition and turn it to the ACC position.
- The Radio will turn on and the setup screen will appear. Choose one of the two Bluetooth OPTIONS below:

OPTION 1:

- This option lets the factory Bluetooth system handle calls and the Factory and the aftermarket Bluetooth system stream Audio.
- To use the factory Bluetooth system: (The factory Bluetooth system is OFF by default)
- Scroll down to Chrysler setup and press SET
- Go to the OEM Bluetooth and press ON
- Press the BACK button (circular shaped arrow)
- Scroll down then press FINISH

INSTALLATION INSTRUCTIONS

OPTION 2:

This option lets the aftermarket Bluetooth system handle calls and stream Audio. To use the aftermarket Bluetooth system:

- Scroll to the bottom of the setup screen and press FINISH
- Install the aftermarket microphone

WARNING: Aftermarket Bluetooth system If your phone is paired to the Factory Bluetooth system you must delete the pairing from the phone to the Factory Bluetooth system.

For more information and programming procedures, see the aftermarket Bluetooth system and the factory Bluetooth system owner's manuals.

The module is now programmed and ready to be used. To access the new menus, press on CHRYSLER FEATURES.

Insert the aftermarket radio in the dashboard housing and test all the functionalities. Reassemble the dashboard carefully.

TROUBLESHOOTING TIPS:

- To reset the module back its factory settings, turn the key to the OFF position then disconnect all connectors from the module. Press and hold the module's programming button and connect all the connectors back to the module. Wait, the module's LED will flash RED rapidly (this may take up to 10 seconds). Release the programming button. Wait, the LED will turn solid GREEN for 2 seconds.
- For technical assistance call 1-866-427-2999 or e-mail "support@idatalink.com". Visit us at "maestro.idatalink.com/support" and "www.12voltdata.com/forum/"

OEM BLUETOOTH SETUP

Only one Bluetooth system can be set for hands free calling. This must be determined before installation. Both the factory and aftermarket systems can be used for Bluetooth audio streaming. If the aftermarket Bluetooth is chosen for hands free calling, the aftermarket microphone must be installed in the vehicle.

2013 Kenwood Radios:

For these radio models, the OEM Bluetooth is turned OFF by default. To turn ON the OEM Bluetooth, insert the key into the ignition and turn it to the ACC position. The Radio will turn on

and the setup screen will appear. Scroll to the bottom and select the vehicle set up menu by pressing SET. Go to the option OEM Bluetooth and select ON. Press the return arrow then scroll to the bottom of the page select FINISH.

2014 Kenwood Radios:

For these radio models, the OEM Bluetooth is turned ON by default. To turn OFF the OEM Bluetooth, insert the key into the ignition and turn it to the ACC position. The radio will turn ON and the setup screen will appear. Scroll to the bottom and select the vehicle set up menu by pressing SET. Go to the option OEM Bluetooth and select OFF.

2014 Alpine Radios:

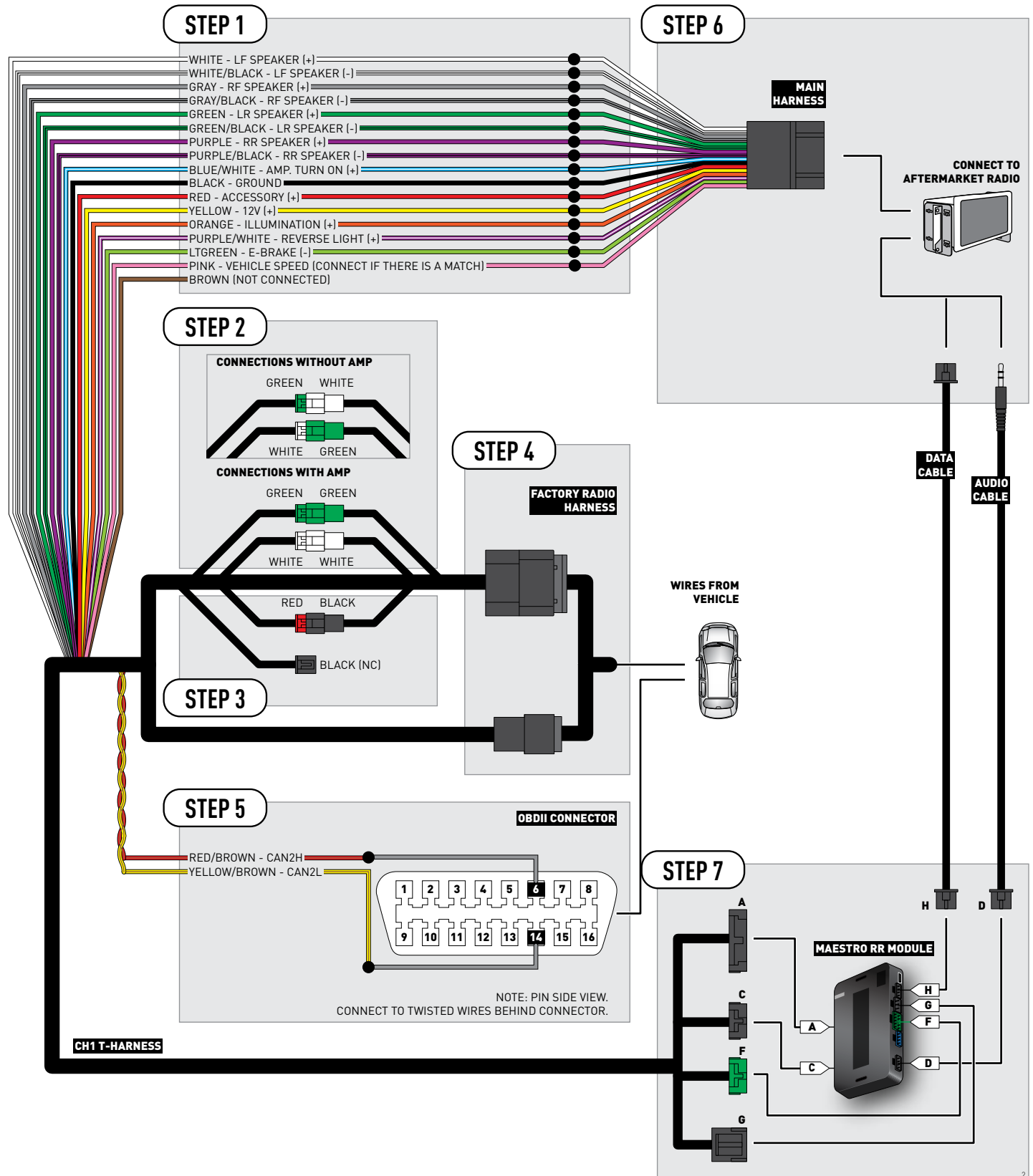
For these radio models, the OEM Bluetooth is turned ON by default. To turn OFF the OEM Bluetooth, insert the key into the ignition and turn it to the ACC position. The radio will turn ON and the main screen will appear. Select the settings button, in the top right corner, then select GENERAL. Select INTEGRATION SETUP then select HANDS FREE CONNECTION. Two options will be available ON or OFF, select OFF.

2014 Pioneer Radios:

For these radio models, the OEM Bluetooth is turned ON by default. To turn OFF the OEM Bluetooth, insert the key into the ignition and turn it to the ACC position. The radio will turn ON and the main screen will appear. Select SETUP, then SYSTEM SETUP, then IDATALINK SETUP and turn OEM Bluetooth to OFF.

Note: Bluetooth audio streaming is not supported by 2014 Pioneer radios.

WIRING DIAGRAM



VEHICLE WIRE REFERENCE CHART

Wire Description	Connector Name	Connector Color	Connector Type	Position	Wire Color	Polarity	Wire Location
CAN2H	OBDII	~	16 pin	06	White/LtBlue	[DATA]	OBDII connector, under driver side dash
CAN2L	OBDII	~	16 pin	14	White/DkBlue	[DATA]	OBDII connector, under driver side dash

RADIO WIRE REFERENCE CHART

Wire Description	Polarity	Wire Color on Maestro T-Harness	Wire Color on Alpine cable	Wire Color on Kenwood cable	Wire Color on Pioneer cable
Illumination	(+)	Orange	N/A	Orange/White	Orange/White
Reverse Light	(+)	Purple/White	Orange/White	Purple/White	Purple/White
E-Brake	(-)	Lt Green	Yellow/Blue	Lt Green	Lt Green
Foot Brake	(+)	Yellow/Black	Yellow/Black	N/A	N/A
VSS (vehicle speed sensor)	(DATA)	Pink	Green/White	N/A	Pink



INSTALL GUIDE JEEP COMPASS 2009-2016

RETAINS STEERING WHEEL CONTROLS, UCONNECT, UCONNECT BLUETOOTH, AND MORE!



PRODUCTS REQUIRED

iDatalink Maestro RR Radio Replacement Interface
iDatalink Maestro CH1 Installation Harness

OPTIONAL ACCESSORIES

ADS-HRN(AV)-CHR01

PROGRAMMED FIRMWARE

ADS-RR(SR)-CHR01-DS

NOTICE: Automotive Data Solutions Inc. (ADS) recommends having this installation performed by a certified technician. Logos and trademarks used here in are the properties of their respective owners.

WELCOME

Congratulations on the purchase of your iDatalink Maestro RR Radio replacement solution. You are now a few simple steps away from enjoying your new car radio with enhanced features.

Before starting your installation, please ensure that your iDatalink Maestro module is programmed with the correct firmware and that you carefully review the Installation Diagram and Vehicle Wire Reference Chart.

Please note that Maestro RR will only retain functionalities that were originally available in the vehicle.

NEED HELP?

 **1 866 427-2999**

 **support@idatalink.com**

 **maestro.idatalink.com/support
www.12voltdata.com/forum**

DURING INSTALLATION

Installation Instructions	3
Wiring Diagram	5
Vehicle Wire Reference Chart	6
Radio Wire Reference Chart	7

INSTALLATION INSTRUCTIONS

STEP 1

- Unbox the aftermarket radio and locate its main harness.
- Connect the wires shown on the next page from aftermarket radio main harness to the CH1 T-harness and match the wire functions.

STEP 2

- Remove the factory radio.
- Access the main 22 pin factory radio connector **(2.1)** and determine if you have a factory amplifier.

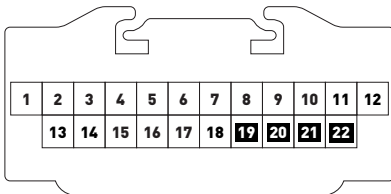


Fig. 2.1

If you don't have wires in PIN 19, 20, 21 and 22, you have a factory amplifier:

- Plug the female GREEN connector to the male GREEN connector of your CH1 T-harness.
- Plug the female WHITE connector to the male WHITE connector of your CH1 T-harness.

If you have wires in PIN 19, 20, 21 and 22, you don't have a factory amplifier:

- Plug the female GREEN connector to the male WHITE connector of your CH1 T-harness.
- Plug the female WHITE connector to the male GREEN connector of your CH1 T-harness.

STEP 3

- Plug the female RED connector to the male BLACK connector.

STEP 4

- Connect the factory harness to the CH1 T-harness.

STEP 5

- Access the OBDII connector located under the driver side dashboard.
- Connect the RED/BROWN wire of the CH1 T-harness to the wire located at pin 6 of the OBDII connector. (See the vehicle wire chart reference for wire colors)
- Connect the YELLOW/BROWN wire of the CH1 T-harness to the wire located at pin 14 of the OBDII connector. (See the vehicle wire chart reference for wire colors)

STEP 6

- Plug the aftermarket radio harnesses into the aftermarket radio.
- Plug the Data cable to the data port of the aftermarket radio.
- Insert the Audio cable into the iDatalink 3.5 mm audio jack of the aftermarket radio.

STEP 7

- Connect all the harnesses to the Maestro RR module then proceed to module setup.

MODULE SETUP:

- Insert the key into the ignition and turn it to the ACC position.
- The Radio will turn on and the setup screen will appear. Choose one of the two Bluetooth OPTIONS below:

OPTION 1:

- This option lets the factory Bluetooth system handle calls and the Factory and the aftermarket Bluetooth system stream Audio.
- To use the factory Bluetooth system: (The factory Bluetooth system is OFF by default)
- Scroll down to Chrysler setup and press SET
- Go to the OEM Bluetooth and press ON
- Press the BACK button (circular shaped arrow)
- Scroll down then press FINISH

INSTALLATION INSTRUCTIONS

OPTION 2:

This option lets the aftermarket Bluetooth system handle calls and stream Audio. To use the aftermarket Bluetooth system:

- Scroll to the bottom of the setup screen and press FINISH
- Install the aftermarket microphone

WARNING: Aftermarket Bluetooth system If your phone is paired to the Factory Bluetooth system you must delete the pairing from the phone to the Factory Bluetooth system.

For more information and programming procedures, see the aftermarket Bluetooth system and the factory Bluetooth system owner's manuals.

The module is now programmed and ready to be used. To access the new menus, press on CHRYSLER FEATURES.

Insert the aftermarket radio in the dashboard housing and test all the functionalities. Reassemble the dashboard carefully.

TROUBLESHOOTING TIPS:

- To reset the module back its factory settings, turn the key to the OFF position then disconnect all connectors from the module. Press and hold the module's programming button and connect all the connectors back to the module. Wait, the module's LED will flash RED rapidly (this may take up to 10 seconds). Release the programming button. Wait, the LED will turn solid GREEN for 2 seconds.
- For technical assistance call 1-866-427-2999 or e-mail "support@idatalink.com". Visit us at "maestro.idatalink.com/support" and "www.12voltdata.com/forum/"

OEM BLUETOOTH SETUP

Only one Bluetooth system can be set for hands free calling. This must be determined before installation. Both the factory and aftermarket systems can be used for Bluetooth audio streaming. If the aftermarket Bluetooth is chosen for hands free calling, the aftermarket microphone must be installed in the vehicle.

2013 Kenwood Radios:

For these radio models, the OEM Bluetooth is turned OFF by default. To turn ON the OEM Bluetooth, insert the key into the ignition and turn it to the ACC position. The Radio will turn on

and the setup screen will appear. Scroll to the bottom and select the vehicle set up menu by pressing SET. Go to the option OEM Bluetooth and select ON. Press the return arrow then scroll to the bottom of the page select FINISH.

2014 Kenwood Radios:

For these radio models, the OEM Bluetooth is turned ON by default. To turn OFF the OEM Bluetooth, insert the key into the ignition and turn it to the ACC position. The radio will turn ON and the setup screen will appear. Scroll to the bottom and select the vehicle set up menu by pressing SET. Go to the option OEM Bluetooth and select OFF.

2014 Alpine Radios:

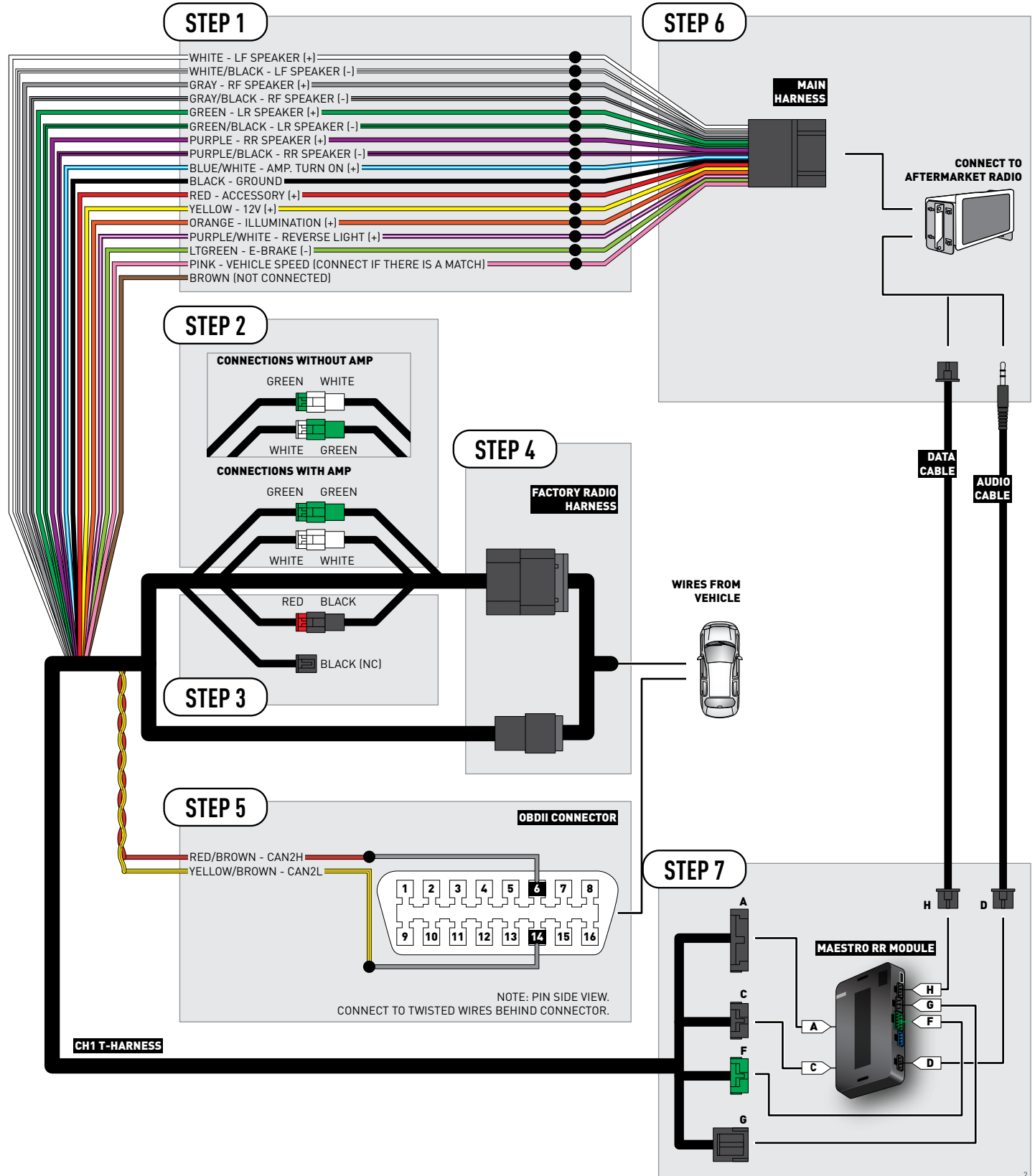
For these radio models, the OEM Bluetooth is turned ON by default. To turn OFF the OEM Bluetooth, insert the key into the ignition and turn it to the ACC position. The radio will turn ON and the main screen will appear. Select the settings button, in the top right corner, then select GENERAL. Select INTEGRATION SETUP then select HANDS FREE CONNECTION. Two options will be available ON or OFF, select OFF.

2014 Pioneer Radios:

For these radio models, the OEM Bluetooth is turned ON by default. To turn OFF the OEM Bluetooth, insert the key into the ignition and turn it to the ACC position. The radio will turn ON and the main screen will appear. Select SETUP, then SYSTEM SETUP, then IDATALINK SETUP and turn OEM Bluetooth to OFF.

Note: Bluetooth audio streaming is not supported by 2014 Pioneer radios.

WIRING DIAGRAM



VEHICLE WIRE REFERENCE CHART

Wire Description	Connector Name	Connector Color	Connector Type	Position	Wire Color	Polarity	Wire Location
CAN2H	OBDII	~	16 pin	06	White/Tan	[DATA]	OBDII connector, under driver side dash
CAN2L	OBDII	~	16 pin	14	White/DkBlue	[DATA]	OBDII connector, under driver side dash

RADIO WIRE REFERENCE CHART

Wire Description	Polarity	Wire Color on Maestro T-Harness	Wire Color on Alpine cable	Wire Color on Kenwood cable	Wire Color on Pioneer cable
Illumination	(+)	Orange	N/A	Orange/White	Orange/White
Reverse Light	(+)	Purple/White	Orange/White	Purple/White	Purple/White
E-Brake	(-)	Lt Green	Yellow/Blue	Lt Green	Lt Green
Foot Brake	(+)	Yellow/Black	Yellow/Black	N/A	N/A
VSS (vehicle speed sensor)	(DATA)	Pink	Green/White	N/A	Pink



INSTALL GUIDE JEEP GRAND CHEROKEE 2008-2010

RETAINS STEERING WHEEL CONTROLS, UCONNECT, UCONNECT BLUETOOTH, AND MORE!



PRODUCTS REQUIRED

iDatalink Maestro RR Radio Replacement Interface
iDatalink Maestro CH1 Installation Harness

OPTIONAL ACCESSORIES

ADS-HRN(AV)-CHR01

PROGRAMMED FIRMWARE

ADS-RR(SR)-CHR01-DS

NOTICE: Automotive Data Solutions Inc. (ADS) recommends having this installation performed by a certified technician. Logos and trademarks used here in are the properties of their respective owners.

WELCOME

Congratulations on the purchase of your iDatalink Maestro RR Radio replacement solution. You are now a few simple steps away from enjoying your new car radio with enhanced features.

Before starting your installation, please ensure that your iDatalink Maestro module is programmed with the correct firmware and that you carefully review the Installation Diagram and Vehicle Wire Reference Chart.

Please note that Maestro RR will only retain functionalities that were originally available in the vehicle.

NEED HELP?

 **1 866 427-2999**

 **support@idatalink.com**

 **maestro.idatalink.com/support**
www.12voltdata.com/forum

DURING INSTALLATION

Installation Instructions	3
Wiring Diagram	5
Vehicle Wire Reference Chart	6
Radio Wire Reference Chart	7

INSTALLATION INSTRUCTIONS

STEP 1

- Unbox the aftermarket radio and locate its main harness.
- Connect the wires shown on the next page from aftermarket radio main harness to the CH1 T-harness and match the wire functions.

STEP 2

- Remove the factory radio.
- Access the main 22 pin factory radio connector **(2.1)** and determine if you have a factory amplifier.

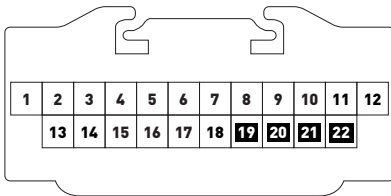


Fig. 2.1

If you don't have wires in PIN 19, 20, 21 and 22, you have a factory amplifier:

- Plug the female GREEN connector to the male GREEN connector of your CH1 T-harness.
- Plug the female WHITE connector to the male WHITE connector of your CH1 T-harness.

If you have wires in PIN 19, 20, 21 and 22, you don't have a factory amplifier:

- Plug the female GREEN connector to the male WHITE connector of your CH1 T-harness.
- Plug the female WHITE connector to the male GREEN connector of your CH1 T-harness.

STEP 3

- Plug the female RED connector to the male BLACK connector.

STEP 4

- Connect the factory harness to the CH1 T-harness.

STEP 5

- Access the OBDII connector located under the driver side dashboard.
- Connect the RED/BROWN wire of the CH1 T-harness to the wire located at pin 6 of the OBDII connector. (See the vehicle wire chart reference for wire colors)
- Connect the YELLOW/BROWN wire of the CH1 T-harness to the wire located at pin 14 of the OBDII connector. (See the vehicle wire chart reference for wire colors)

STEP 6

- Plug the aftermarket radio harnesses into the aftermarket radio.
- Plug the Data cable to the data port of the aftermarket radio.
- Insert the Audio cable into the iDatalink 3.5 mm audio jack of the aftermarket radio.

STEP 7

- Connect all the harnesses to the Maestro RR module then proceed to module setup.

MODULE SETUP:

- Insert the key into the ignition and turn it to the ACC position.
- The Radio will turn on and the setup screen will appear. Choose one of the two Bluetooth OPTIONS below:

OPTION 1:

- This option lets the factory Bluetooth system handle calls and the Factory and the aftermarket Bluetooth system stream Audio.
- To use the factory Bluetooth system: (The factory Bluetooth system is OFF by default)
- Scroll down to Chrysler setup and press SET
- Go to the OEM Bluetooth and press ON
- Press the BACK button (circular shaped arrow)
- Scroll down then press FINISH

INSTALLATION INSTRUCTIONS

OPTION 2:

This option lets the aftermarket Bluetooth system handle calls and stream Audio. To use the aftermarket Bluetooth system:

- Scroll to the bottom of the setup screen and press FINISH
- Install the aftermarket microphone

WARNING: Aftermarket Bluetooth system If your phone is paired to the Factory Bluetooth system you must delete the pairing from the phone to the Factory Bluetooth system.

For more information and programming procedures, see the aftermarket Bluetooth system and the factory Bluetooth system owner's manuals.

The module is now programmed and ready to be used. To access the new menus, press on CHRYSLER FEATURES.

Insert the aftermarket radio in the dashboard housing and test all the functionalities. Reassemble the dashboard carefully.

TROUBLESHOOTING TIPS:

- To reset the module back its factory settings, turn the key to the OFF position then disconnect all connectors from the module. Press and hold the module's programming button and connect all the connectors back to the module. Wait, the module's LED will flash RED rapidly (this may take up to 10 seconds). Release the programming button. Wait, the LED will turn solid GREEN for 2 seconds.
- For technical assistance call 1-866-427-2999 or e-mail "support@idatalink.com". Visit us at "maestro.idatalink.com/support" and "www.12voltdata.com/forum/"

OEM BLUETOOTH SETUP

Only one Bluetooth system can be set for hands free calling. This must be determined before installation. Both the factory and aftermarket systems can be used for Bluetooth audio streaming. If the aftermarket Bluetooth is chosen for hands free calling, the aftermarket microphone must be installed in the vehicle.

2013 Kenwood Radios:

For these radio models, the OEM Bluetooth is turned OFF by default. To turn ON the OEM Bluetooth, insert the key into the ignition and turn it to the ACC position. The Radio will turn on

and the setup screen will appear. Scroll to the bottom and select the vehicle set up menu by pressing SET. Go to the option OEM Bluetooth and select ON. Press the return arrow then scroll to the bottom of the page select FINISH.

2014 Kenwood Radios:

For these radio models, the OEM Bluetooth is turned ON by default. To turn OFF the OEM Bluetooth, insert the key into the ignition and turn it to the ACC position. The radio will turn ON and the setup screen will appear. Scroll to the bottom and select the vehicle set up menu by pressing SET. Go to the option OEM Bluetooth and select OFF.

2014 Alpine Radios:

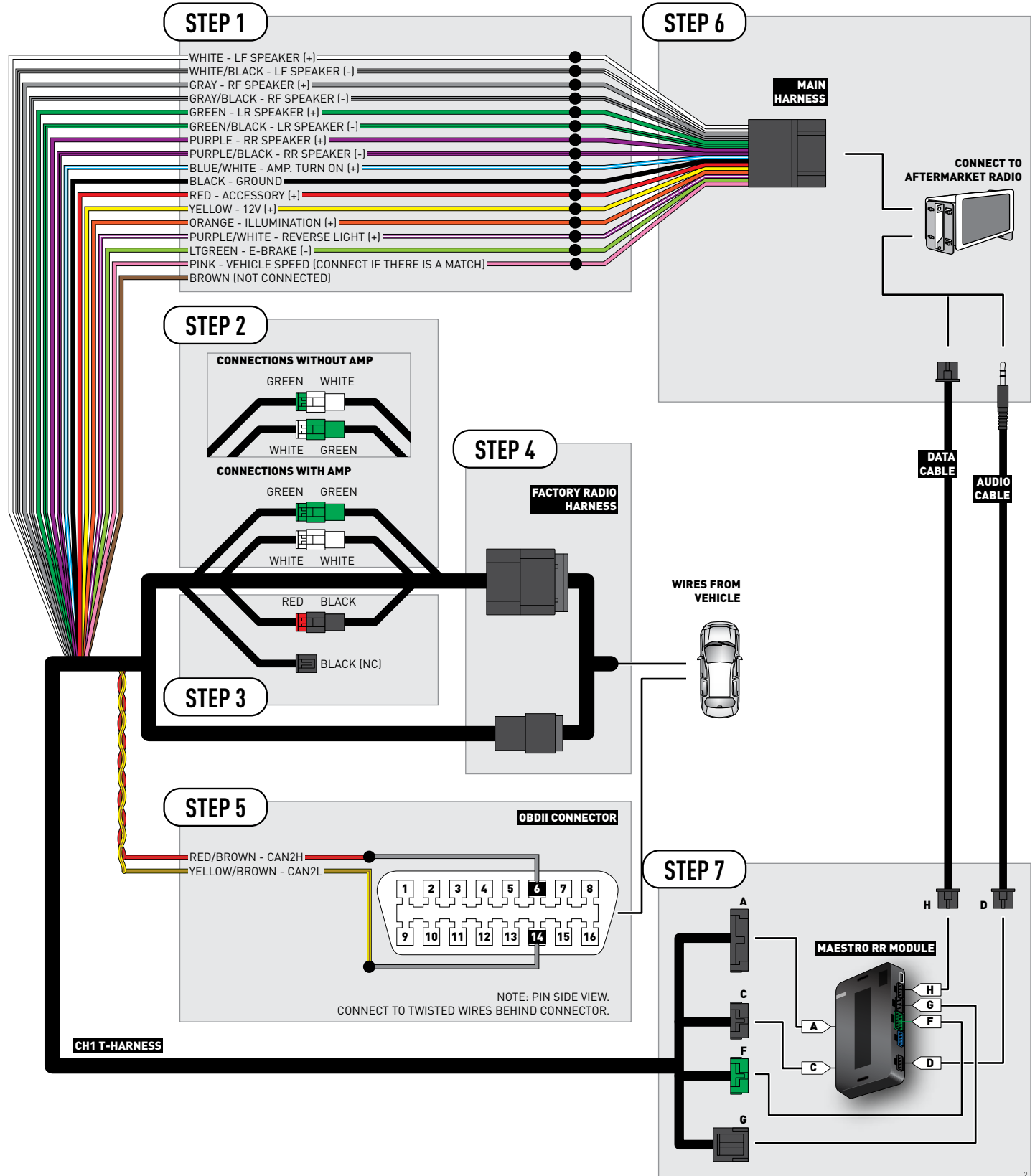
For these radio models, the OEM Bluetooth is turned ON by default. To turn OFF the OEM Bluetooth, insert the key into the ignition and turn it to the ACC position. The radio will turn ON and the main screen will appear. Select the settings button, in the top right corner, then select GENERAL. Select INTEGRATION SETUP then select HANDS FREE CONNECTION. Two options will be available ON or OFF, select OFF.

2014 Pioneer Radios:

For these radio models, the OEM Bluetooth is turned ON by default. To turn OFF the OEM Bluetooth, insert the key into the ignition and turn it to the ACC position. The radio will turn ON and the main screen will appear. Select SETUP, then SYSTEM SETUP, then IDATALINK SETUP and turn OEM Bluetooth to OFF.

Note: Bluetooth audio streaming is not supported by 2014 Pioneer radios.

WIRING DIAGRAM



VEHICLE WIRE REFERENCE CHART

Wire Description	Connector Name	Connector Color	Connector Type	Position	Wire Color	Polarity	Wire Location
CAN2H	OBDII	~	16 pin	06	White/DkGreen	[DATA]	OBDII connector, under driver side dash
CAN2L	OBDII	~	16 pin	14	White/DkBlue	[DATA]	OBDII connector, under driver side dash

RADIO WIRE REFERENCE CHART

Wire Description	Polarity	Wire Color on Maestro T-Harness	Wire Color on Alpine cable	Wire Color on Kenwood cable	Wire Color on Pioneer cable
Illumination	(+)	Orange	N/A	Orange/White	Orange/White
Reverse Light	(+)	Purple/White	Orange/White	Purple/White	Purple/White
E-Brake	(-)	Lt Green	Yellow/Blue	Lt Green	Lt Green
Foot Brake	(+)	Yellow/Black	Yellow/Black	N/A	N/A
VSS (vehicle speed sensor)	(DATA)	Pink	Green/White	N/A	Pink



INSTALL GUIDE JEEP GRAND CHEROKEE 2011-2013

RETAINS STEERING WHEEL CONTROLS, UCONNECT, UCONNECT BLUETOOTH, AND MORE!



PRODUCTS REQUIRED

iDatalink Maestro RR Radio Replacement Interface
iDatalink Maestro CH1 Installation Harness

OPTIONAL ACCESSORIES

ADS-HRN(AV)-CHR01

PROGRAMMED FIRMWARE

ADS-RR(SR)-CHR01-DS

NOTICE: Automotive Data Solutions Inc. (ADS) recommends having this installation performed by a certified technician. Logos and trademarks used here in are the properties of their respective owners.

WELCOME

Congratulations on the purchase of your iDatalink Maestro RR Radio replacement solution. You are now a few simple steps away from enjoying your new car radio with enhanced features.


Before starting your installation, please ensure that your iDatalink Maestro module is programmed with the correct firmware and that you carefully review the Installation Diagram and Vehicle Wire Reference Chart.

Please note that Maestro RR will only retain functionalities that were originally available in the vehicle.

NEED HELP?

 **1 866 427-2999**

 **support@idatalink.com**

 **maestro.idatalink.com/support**
www.12voltdata.com/forum

DURING INSTALLATION

Installation Instructions	3
Wiring Diagram	5
Vehicle Wire Reference Chart	6
Radio Wire Reference Chart	7

INSTALLATION INSTRUCTIONS

STEP 1

- Unbox the aftermarket radio and locate its main harness.
- Connect the wires shown on the next page from aftermarket radio main harness to the CH1 T-harness and match the wire functions.

STEP 2

- Remove the factory radio.
- Access the main 22 pin factory radio connector **(2.1)** and determine if you have a factory amplifier.

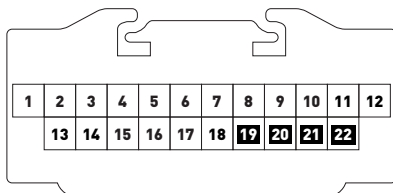


Fig. 2.1

If you don't have wires in PIN 19, 20, 21 and 22, you have a factory amplifier:

- Plug the female GREEN connector to the male GREEN connector of your CH1 T-harness.
- Plug the female WHITE connector to the male WHITE connector of your CH1 T-harness.

If you have wires in PIN 19, 20, 21 and 22, you don't have a factory amplifier:

- Plug the female GREEN connector to the male WHITE connector of your CH1 T-harness.
- Plug the female WHITE connector to the male GREEN connector of your CH1 T-harness.

STEP 3

- Plug the female BLACK connector to the male BLACK connector.

STEP 4

- Connect the factory harness to the CH1 T-harness.

STEP 5

- Access the OBDII connector located under the driver side dashboard.
- Connect the RED/BROWN wire of the CH1 T-harness to the wire located at pin 6 of the OBDII connector. (See the vehicle wire chart reference for wire colors)
- Connect the YELLOW/BROWN wire of the CH1 T-harness to the wire located at pin 14 of the OBDII connector. (See the vehicle wire chart reference for wire colors)

STEP 6

- Plug the aftermarket radio harnesses into the aftermarket radio.
- Plug the Data cable to the data port of the aftermarket radio.
- Insert the Audio cable into the iDatalink 3.5 mm audio jack of the aftermarket radio.

STEP 7

- Connect all the harnesses to the Maestro RR module then proceed to module setup.

MODULE SETUP:

- Insert the key into the ignition and turn it to the ACC position.
- The Radio will turn on and the setup screen will appear. Choose one of the two Bluetooth OPTIONS below:

OPTION 1:

- This option lets the factory Bluetooth system handle calls and the Factory and the aftermarket Bluetooth system stream Audio.
- To use the factory Bluetooth system: (The factory Bluetooth system is OFF by default)
- Scroll down to Chrysler setup and press SET
- Go to the OEM Bluetooth and press ON
- Press the BACK button (circular shaped arrow)
- Scroll down then press FINISH

INSTALLATION INSTRUCTIONS

OPTION 2:

This option lets the aftermarket Bluetooth system handle calls and stream Audio. To use the aftermarket Bluetooth system:

- Scroll to the bottom of the setup screen and press FINISH
- Install the aftermarket microphone

WARNING: Aftermarket Bluetooth system If your phone is paired to the Factory Bluetooth system you must delete the pairing from the phone to the Factory Bluetooth system.

For more information and programming procedures, see the aftermarket Bluetooth system and the factory Bluetooth system owner's manuals.

The module is now programmed and ready to be used. To access the new menus, press on CHRYSLER FEATURES.

Insert the aftermarket radio in the dashboard housing and test all the functionalities. Reassemble the dashboard carefully.

TROUBLESHOOTING TIPS:

- To reset the module back its factory settings, turn the key to the OFF position then disconnect all connectors from the module. Press and hold the module's programming button and connect all the connectors back to the module. Wait, the module's LED will flash RED rapidly (this may take up to 10 seconds). Release the programming button. Wait, the LED will turn solid GREEN for 2 seconds.
- For technical assistance call 1-866-427-2999 or e-mail "support@idatalink.com". Visit us at "maestro.idatalink.com/support" and "www.12voltdata.com/forum/"

OEM BLUETOOTH SETUP

Only one Bluetooth system can be set for hands free calling. This must be determined before installation. Both the factory and aftermarket systems can be used for Bluetooth audio streaming. If the aftermarket Bluetooth is chosen for hands free calling, the aftermarket microphone must be installed in the vehicle.

2013 Kenwood Radios:

For these radio models, the OEM Bluetooth is turned OFF by default. To turn ON the OEM Bluetooth, insert the key into the ignition and turn it to the ACC position. The Radio will turn on

and the setup screen will appear. Scroll to the bottom and select the vehicle set up menu by pressing SET. Go to the option OEM Bluetooth and select ON. Press the return arrow then scroll to the bottom of the page select FINISH.

2014 Kenwood Radios:

For these radio models, the OEM Bluetooth is turned ON by default. To turn OFF the OEM Bluetooth, insert the key into the ignition and turn it to the ACC position. The radio will turn ON and the setup screen will appear. Scroll to the bottom and select the vehicle set up menu by pressing SET. Go to the option OEM Bluetooth and select OFF.

2014 Alpine Radios:

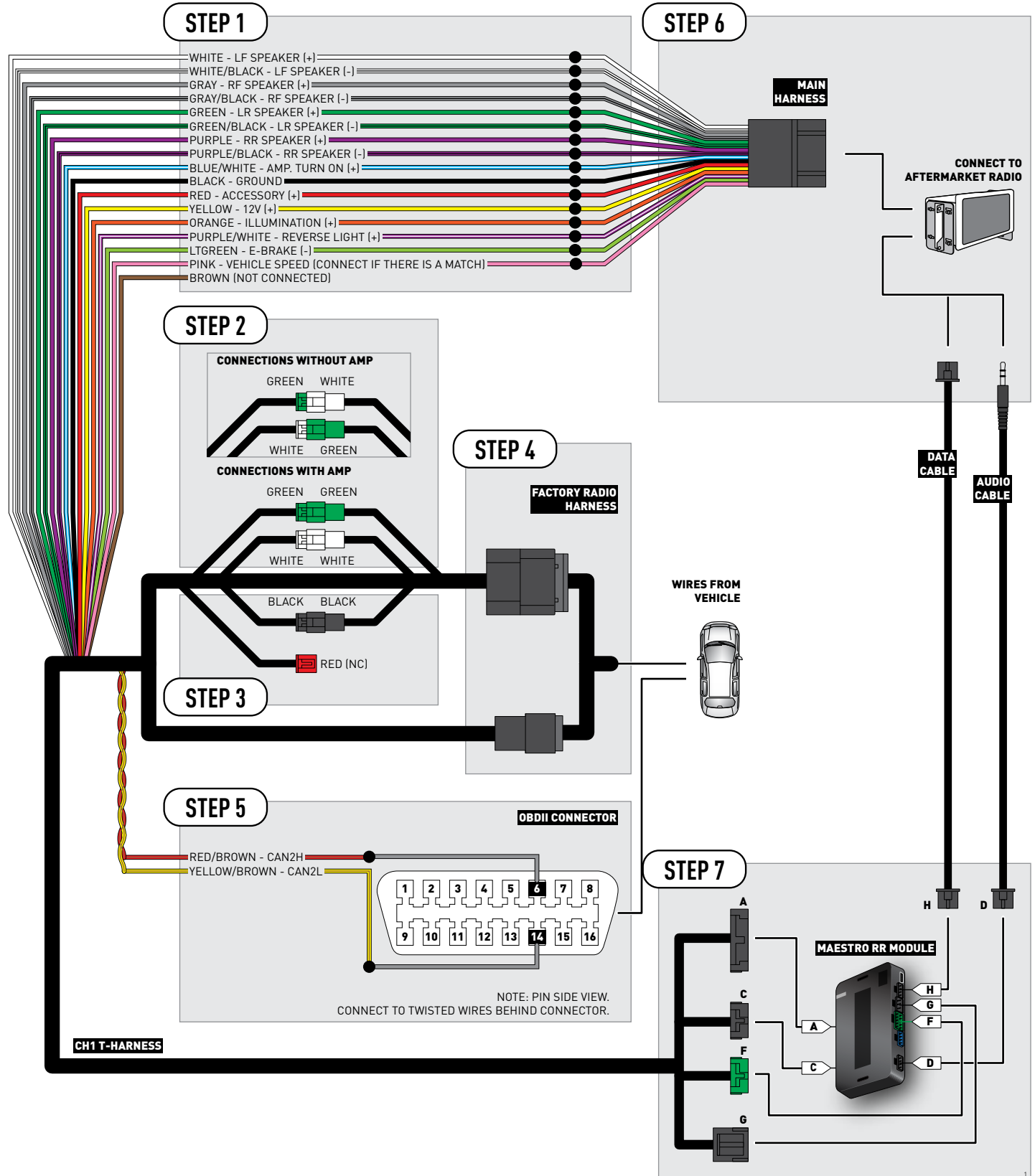
For these radio models, the OEM Bluetooth is turned ON by default. To turn OFF the OEM Bluetooth, insert the key into the ignition and turn it to the ACC position. The radio will turn ON and the main screen will appear. Select the settings button, in the top right corner, then select GENERAL. Select INTEGRATION SETUP then select HANDS FREE CONNECTION. Two options will be available ON or OFF, select OFF.

2014 Pioneer Radios:

For these radio models, the OEM Bluetooth is turned ON by default. To turn OFF the OEM Bluetooth, insert the key into the ignition and turn it to the ACC position. The radio will turn ON and the main screen will appear. Select SETUP, then SYSTEM SETUP, then IDATALINK SETUP and turn OEM Bluetooth to OFF.

Note: Bluetooth audio streaming is not supported by 2014 Pioneer radios.

WIRING DIAGRAM



VEHICLE WIRE REFERENCE CHART

Wire Description	Connector Name	Connector Color	Connector Type	Position	Wire Color	Polarity	Wire Location
CAN2H	OBDII	~	16 pin	06	White/DkGreen	[DATA]	OBDII connector, under driver side dash
CAN2L	OBDII	~	16 pin	14	White/DkBlue	[DATA]	OBDII connector, under driver side dash

RADIO WIRE REFERENCE CHART

Wire Description	Polarity	Wire Color on Maestro T-Harness	Wire Color on Alpine cable	Wire Color on Kenwood cable	Wire Color on Pioneer cable
Illumination	(+)	Orange	N/A	Orange/White	Orange/White
Reverse Light	(+)	Purple/White	Orange/White	Purple/White	Purple/White
E-Brake	(-)	Lt Green	Yellow/Blue	Lt Green	Lt Green
Foot Brake	(+)	Yellow/Black	Yellow/Black	N/A	N/A
VSS (vehicle speed sensor)	(DATA)	Pink	Green/White	N/A	Pink



INSTALL GUIDE JEEP LIBERTY 2008-2012

RETAINS STEERING WHEEL CONTROLS, UCONNECT, UCONNECT BLUETOOTH, AND MORE!



PRODUCTS REQUIRED

iDatalink Maestro RR Radio Replacement Interface
iDatalink Maestro CH1 Installation Harness

OPTIONAL ACCESSORIES

ADS-HRN(AV)-CHR01

PROGRAMMED FIRMWARE

ADS-RR(SR)-CHR01-DS

NOTICE: Automotive Data Solutions Inc. (ADS) recommends having this installation performed by a certified technician. Logos and trademarks used here in are the properties of their respective owners.

WELCOME

Congratulations on the purchase of your iDatalink Maestro RR Radio replacement solution. You are now a few simple steps away from enjoying your new car radio with enhanced features.


Before starting your installation, please ensure that your iDatalink Maestro module is programmed with the correct firmware and that you carefully review the Installation Diagram and Vehicle Wire Reference Chart.

Please note that Maestro RR will only retain functionalities that were originally available in the vehicle.

NEED HELP?

 **1 866 427-2999**

 support@idatalink.com

 maestro.idatalink.com/support
www.12voltdata.com/forum

DURING INSTALLATION

Installation Instructions	3
Wiring Diagram	5
Vehicle Wire Reference Chart	6
Radio Wire Reference Chart	7

INSTALLATION INSTRUCTIONS

STEP 1

- Unbox the aftermarket radio and locate its main harness.
- Connect the wires shown on the next page from aftermarket radio main harness to the CH1 T-harness and match the wire functions.

STEP 2

- Remove the factory radio.
- Access the main 22 pin factory radio connector **(2.1)** and determine if you have a factory amplifier.

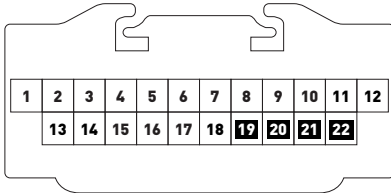


Fig. 2.1

If you don't have wires in PIN 19, 20, 21 and 22, you have a factory amplifier:

- Plug the female GREEN connector to the male GREEN connector of your CH1 T-harness.
- Plug the female WHITE connector to the male WHITE connector of your CH1 T-harness.

If you have wires in PIN 19, 20, 21 and 22, you don't have a factory amplifier:

- Plug the female GREEN connector to the male WHITE connector of your CH1 T-harness.
- Plug the female WHITE connector to the male GREEN connector of your CH1 T-harness.

STEP 3

- Plug the female BLACK connector to the male BLACK connector.

STEP 4

- Connect the factory harness to the CH1 T-harness.

STEP 5

- Access the OBDII connector located under the driver side dashboard.
- Connect the RED/BROWN wire of the CH1 T-harness to the wire located at pin 6 of the OBDII connector. (See the vehicle wire chart reference for wire colors)
- Connect the YELLOW/BROWN wire of the CH1 T-harness to the wire located at pin 14 of the OBDII connector. (See the vehicle wire chart reference for wire colors)

STEP 6

- Plug the aftermarket radio harnesses into the aftermarket radio.
- Plug the Data cable to the data port of the aftermarket radio.
- Insert the Audio cable into the iDatalink 3.5 mm audio jack of the aftermarket radio.

STEP 7

- Connect all the harnesses to the Maestro RR module then proceed to module setup.

MODULE SETUP:

- Insert the key into the ignition and turn it to the ACC position.
- The Radio will turn on and the setup screen will appear. Choose one of the two Bluetooth OPTIONS below:

OPTION 1:

- This option lets the factory Bluetooth system handle calls and the Factory and the aftermarket Bluetooth system stream Audio.
- To use the factory Bluetooth system: (The factory Bluetooth system is OFF by default)
- Scroll down to Chrysler setup and press SET
- Go to the OEM Bluetooth and press ON
- Press the BACK button (circular shaped arrow)
- Scroll down then press FINISH

INSTALLATION INSTRUCTIONS

OPTION 2:

This option lets the aftermarket Bluetooth system handle calls and stream Audio. To use the aftermarket Bluetooth system:

- Scroll to the bottom of the setup screen and press FINISH
- Install the aftermarket microphone

WARNING: Aftermarket Bluetooth system If your phone is paired to the Factory Bluetooth system you must delete the pairing from the phone to the Factory Bluetooth system.

For more information and programming procedures, see the aftermarket Bluetooth system and the factory Bluetooth system owner's manuals.

The module is now programmed and ready to be used. To access the new menus, press on CHRYSLER FEATURES.

Insert the aftermarket radio in the dashboard housing and test all the functionalities. Reassemble the dashboard carefully.

TROUBLESHOOTING TIPS:

- To reset the module back its factory settings, turn the key to the OFF position then disconnect all connectors from the module. Press and hold the module's programming button and connect all the connectors back to the module. Wait, the module's LED will flash RED rapidly (this may take up to 10 seconds). Release the programming button. Wait, the LED will turn solid GREEN for 2 seconds.
- For technical assistance call 1-866-427-2999 or e-mail "support@idatalink.com". Visit us at "maestro.idatalink.com/support" and "www.12voltdata.com/forum/"

OEM BLUETOOTH SETUP

Only one Bluetooth system can be set for hands free calling. This must be determined before installation. Both the factory and aftermarket systems can be used for Bluetooth audio streaming. If the aftermarket Bluetooth is chosen for hands free calling, the aftermarket microphone must be installed in the vehicle.

2013 Kenwood Radios:

For these radio models, the OEM Bluetooth is turned OFF by default. To turn ON the OEM Bluetooth, insert the key into the ignition and turn it to the ACC position. The Radio will turn on

and the setup screen will appear. Scroll to the bottom and select the vehicle set up menu by pressing SET. Go to the option OEM Bluetooth and select ON. Press the return arrow then scroll to the bottom of the page select FINISH.

2014 Kenwood Radios:

For these radio models, the OEM Bluetooth is turned ON by default. To turn OFF the OEM Bluetooth, insert the key into the ignition and turn it to the ACC position. The radio will turn ON and the setup screen will appear. Scroll to the bottom and select the vehicle set up menu by pressing SET. Go to the option OEM Bluetooth and select OFF.

2014 Alpine Radios:

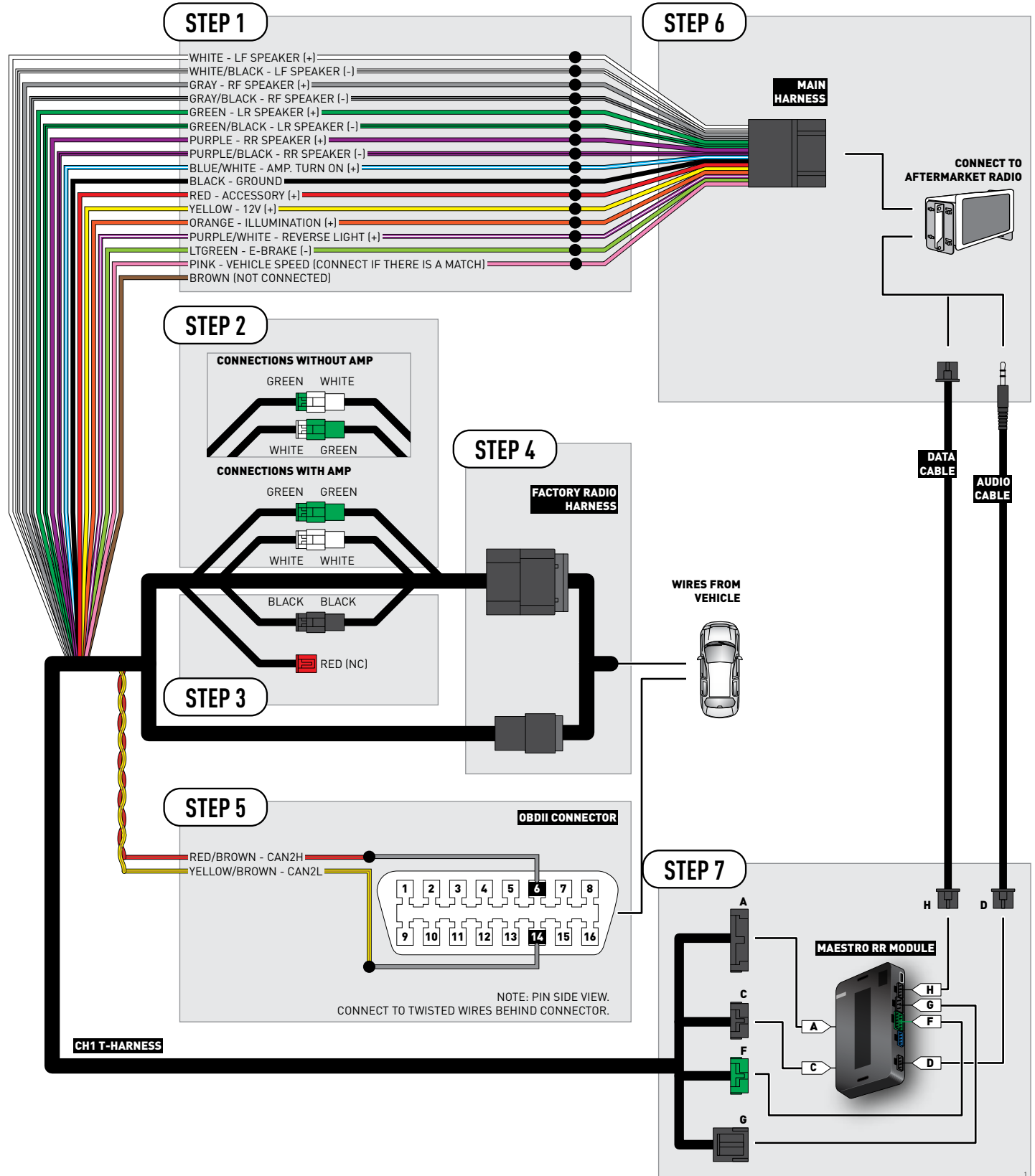
For these radio models, the OEM Bluetooth is turned ON by default. To turn OFF the OEM Bluetooth, insert the key into the ignition and turn it to the ACC position. The radio will turn ON and the main screen will appear. Select the settings button, in the top right corner, then select GENERAL. Select INTEGRATION SETUP then select HANDS FREE CONNECTION. Two options will be available ON or OFF, select OFF.

2014 Pioneer Radios:

For these radio models, the OEM Bluetooth is turned ON by default. To turn OFF the OEM Bluetooth, insert the key into the ignition and turn it to the ACC position. The radio will turn ON and the main screen will appear. Select SETUP, then SYSTEM SETUP, then IDATALINK SETUP and turn OEM Bluetooth to OFF.

Note: Bluetooth audio streaming is not supported by 2014 Pioneer radios.

WIRING DIAGRAM



VEHICLE WIRE REFERENCE CHART

Wire Description	Connector Name	Connector Color	Connector Type	Position	Wire Color	Polarity	Wire Location
CAN2H	OBDII	~	16 pin	06	White/LtBlue	[DATA]	OBDII connector, under driver side dash
CAN2L	OBDII	~	16 pin	14	White/DkBlue	[DATA]	OBDII connector, under driver side dash

RADIO WIRE REFERENCE CHART

Wire Description	Polarity	Wire Color on Maestro T-Harness	Wire Color on Alpine cable	Wire Color on Kenwood cable	Wire Color on Pioneer cable
Illumination	(+)	Orange	N/A	Orange/White	Orange/White
Reverse Light	(+)	Purple/White	Orange/White	Purple/White	Purple/White
E-Brake	(-)	Lt Green	Yellow/Blue	Lt Green	Lt Green
Foot Brake	(+)	Yellow/Black	Yellow/Black	N/A	N/A
VSS (vehicle speed sensor)	(DATA)	Pink	Green/White	N/A	Pink



INSTALL GUIDE JEEP PATRIOT 2009-2016

RETAINS STEERING WHEEL CONTROLS, UCONNECT, UCONNECT BLUETOOTH, AND MORE!



PRODUCTS REQUIRED

iDatalink Maestro RR Radio Replacement Interface
iDatalink Maestro CH1 Installation Harness

OPTIONAL ACCESSORIES

ADS-HRN(AV)-CHR01

PROGRAMMED FIRMWARE

ADS-RR(SR)-CHR01-DS

NOTICE: Automotive Data Solutions Inc. (ADS) recommends having this installation performed by a certified technician. Logos and trademarks used here in are the properties of their respective owners.

WELCOME

Congratulations on the purchase of your iDatalink Maestro RR Radio replacement solution. You are now a few simple steps away from enjoying your new car radio with enhanced features.

Before starting your installation, please ensure that your iDatalink Maestro module is programmed with the correct firmware and that you carefully review the Installation Diagram and Vehicle Wire Reference Chart.

Please note that Maestro RR will only retain functionalities that were originally available in the vehicle.

NEED HELP?

 **1 866 427-2999**

 support@idatalink.com

 maestro.idatalink.com/support
www.12voltdata.com/forum

DURING INSTALLATION

Installation Instructions	3
Wiring Diagram	5
Vehicle Wire Reference Chart	6
Radio Wire Reference Chart	7

INSTALLATION INSTRUCTIONS

STEP 1

- Unbox the aftermarket radio and locate its main harness.
- Connect the wires shown on the next page from aftermarket radio main harness to the CH1 T-harness and match the wire functions.

STEP 2

- Remove the factory radio.
- Access the main 22 pin factory radio connector **(2.1)** and determine if you have a factory amplifier.

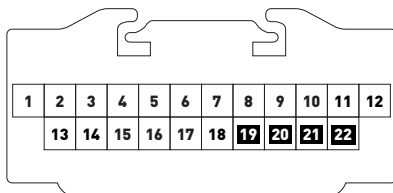


Fig. 2.1

If you don't have wires in PIN 19, 20, 21 and 22, you have a factory amplifier:

- Plug the female GREEN connector to the male GREEN connector of your CH1 T-harness.
- Plug the female WHITE connector to the male WHITE connector of your CH1 T-harness.

If you have wires in PIN 19, 20, 21 and 22, you don't have a factory amplifier:

- Plug the female GREEN connector to the male WHITE connector of your CH1 T-harness.
- Plug the female WHITE connector to the male GREEN connector of your CH1 T-harness.

STEP 3

- Plug the female RED connector to the male BLACK connector.

STEP 4

- Connect the factory harness to the CH1 T-harness.

STEP 5

- Access the OBDII connector located under the driver side dashboard.
- Connect the RED/BROWN wire of the CH1 T-harness to the wire located at pin 6 of the OBDII connector. (See the vehicle wire chart reference for wire colors)
- Connect the YELLOW/BROWN wire of the CH1 T-harness to the wire located at pin 14 of the OBDII connector. (See the vehicle wire chart reference for wire colors)

STEP 6

- Plug the aftermarket radio harnesses into the aftermarket radio.
- Plug the Data cable to the data port of the aftermarket radio.
- Insert the Audio cable into the iDatalink 3.5 mm audio jack of the aftermarket radio.

STEP 7

- Connect all the harnesses to the Maestro RR module then proceed to module setup.

MODULE SETUP:

- Insert the key into the ignition and turn it to the ACC position.
- The Radio will turn on and the setup screen will appear. Choose one of the two Bluetooth OPTIONS below:

OPTION 1:

- This option lets the factory Bluetooth system handle calls and the Factory and the aftermarket Bluetooth system stream Audio.
- To use the factory Bluetooth system: (The factory Bluetooth system is OFF by default)
- Scroll down to Chrysler setup and press SET
- Go to the OEM Bluetooth and press ON
- Press the BACK button (circular shaped arrow)
- Scroll down then press FINISH

INSTALLATION INSTRUCTIONS

OPTION 2:

This option lets the aftermarket Bluetooth system handle calls and stream Audio. To use the aftermarket Bluetooth system:

- Scroll to the bottom of the setup screen and press FINISH
- Install the aftermarket microphone

WARNING: Aftermarket Bluetooth system If your phone is paired to the Factory Bluetooth system you must delete the pairing from the phone to the Factory Bluetooth system.

For more information and programming procedures, see the aftermarket Bluetooth system and the factory Bluetooth system owner's manuals.

The module is now programmed and ready to be used. To access the new menus, press on CHRYSLER FEATURES.

Insert the aftermarket radio in the dashboard housing and test all the functionalities. Reassemble the dashboard carefully.

TROUBLESHOOTING TIPS:

- To reset the module back its factory settings, turn the key to the OFF position then disconnect all connectors from the module. Press and hold the module's programming button and connect all the connectors back to the module. Wait, the module's LED will flash RED rapidly (this may take up to 10 seconds). Release the programming button. Wait, the LED will turn solid GREEN for 2 seconds.
- For technical assistance call 1-866-427-2999 or e-mail "support@idatalink.com". Visit us at "maestro.idatalink.com/support" and "www.12voltdata.com/forum/"

OEM BLUETOOTH SETUP

Only one Bluetooth system can be set for hands free calling. This must be determined before installation. Both the factory and aftermarket systems can be used for Bluetooth audio streaming. If the aftermarket Bluetooth is chosen for hands free calling, the aftermarket microphone must be installed in the vehicle.

2013 Kenwood Radios:

For these radio models, the OEM Bluetooth is turned OFF by default. To turn ON the OEM Bluetooth, insert the key into the ignition and turn it to the ACC position. The Radio will turn on

and the setup screen will appear. Scroll to the bottom and select the vehicle set up menu by pressing SET. Go to the option OEM Bluetooth and select ON. Press the return arrow then scroll to the bottom of the page select FINISH.

2014 Kenwood Radios:

For these radio models, the OEM Bluetooth is turned ON by default. To turn OFF the OEM Bluetooth, insert the key into the ignition and turn it to the ACC position. The radio will turn ON and the setup screen will appear. Scroll to the bottom and select the vehicle set up menu by pressing SET. Go to the option OEM Bluetooth and select OFF.

2014 Alpine Radios:

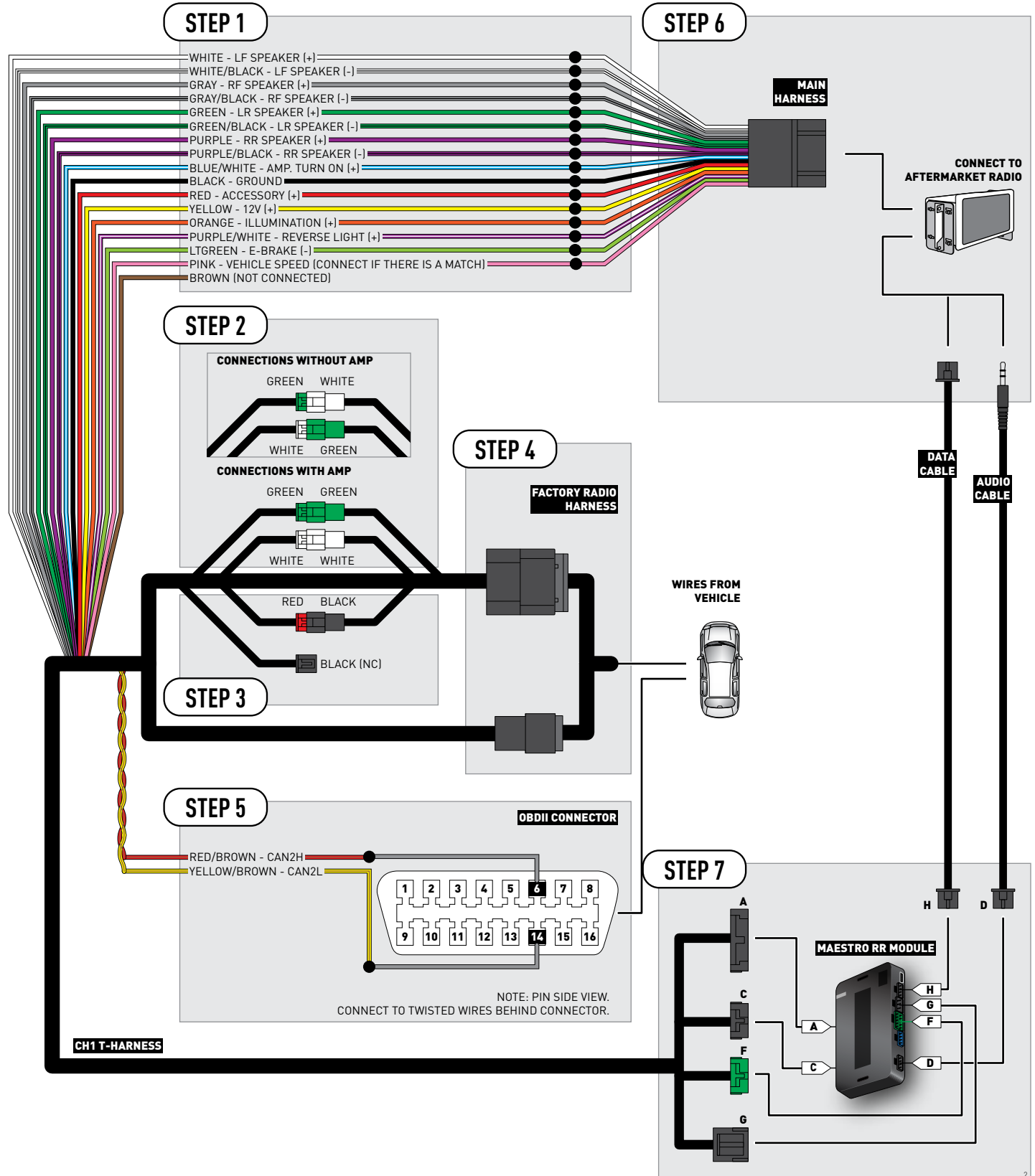
For these radio models, the OEM Bluetooth is turned ON by default. To turn OFF the OEM Bluetooth, insert the key into the ignition and turn it to the ACC position. The radio will turn ON and the main screen will appear. Select the settings button, in the top right corner, then select GENERAL. Select INTEGRATION SETUP then select HANDS FREE CONNECTION. Two options will be available ON or OFF, select OFF.

2014 Pioneer Radios:

For these radio models, the OEM Bluetooth is turned ON by default. To turn OFF the OEM Bluetooth, insert the key into the ignition and turn it to the ACC position. The radio will turn ON and the main screen will appear. Select SETUP, then SYSTEM SETUP, then IDATALINK SETUP and turn OEM Bluetooth to OFF.

Note: Bluetooth audio streaming is not supported by 2014 Pioneer radios.

WIRING DIAGRAM



VEHICLE WIRE REFERENCE CHART

Wire Description	Connector Name	Connector Color	Connector Type	Position	Wire Color	Polarity	Wire Location
CAN2H	OBDII	~	16 pin	06	White/Tan	[DATA]	OBDII connector, under driver side dash
CAN2L	OBDII	~	16 pin	14	White/DkBlue	[DATA]	OBDII connector, under driver side dash

RADIO WIRE REFERENCE CHART

Wire Description	Polarity	Wire Color on Maestro T-Harness	Wire Color on Alpine cable	Wire Color on Kenwood cable	Wire Color on Pioneer cable
Illumination	(+)	Orange	N/A	Orange/White	Orange/White
Reverse Light	(+)	Purple/White	Orange/White	Purple/White	Purple/White
E-Brake	(-)	Lt Green	Yellow/Blue	Lt Green	Lt Green
Foot Brake	(+)	Yellow/Black	Yellow/Black	N/A	N/A
VSS (vehicle speed sensor)	(DATA)	Pink	Green/White	N/A	Pink



INSTALL GUIDE JEEP WRANGLER AT 2007-2016

RETAINS STEERING WHEEL CONTROLS, UCONNECT, UCONNECT BLUETOOTH, AND MORE!



PRODUCTS REQUIRED

iDatalink Maestro RR Radio Replacement Interface
iDatalink Maestro CH1 Installation Harness

OPTIONAL ACCESSORIES

ADS-HRN(AV)-CHR01

PROGRAMMED FIRMWARE

ADS-RR(SR)-CHR01-DS

NOTICE: Automotive Data Solutions Inc. (ADS) recommends having this installation performed by a certified technician. Logos and trademarks used here in are the properties of their respective owners.

WELCOME

Congratulations on the purchase of your iDatalink Maestro RR Radio replacement solution. You are now a few simple steps away from enjoying your new car radio with enhanced features.

Before starting your installation, please ensure that your iDatalink Maestro module is programmed with the correct firmware and that you carefully review the Installation Diagram and Vehicle Wire Reference Chart.

Please note that Maestro RR will only retain functionalities that were originally available in the vehicle.

NEED HELP?

 **1 866 427-2999**

 support@idatalink.com

 maestro.idatalink.com/support
www.12voltdata.com/forum

DURING INSTALLATION

Installation Instructions	3
Wiring Diagram	5
Vehicle Wire Reference Chart	6
Radio Wire Reference Chart	7

INSTALLATION INSTRUCTIONS

STEP 1

- Unbox the aftermarket radio and locate its main harness.
- Connect the wires shown on the next page from aftermarket radio main harness to the CH1 T-harness and match the wire functions.

STEP 2

- Remove the factory radio.
- Access the main 22 pin factory radio connector **(2.1)** and determine if you have a factory amplifier.

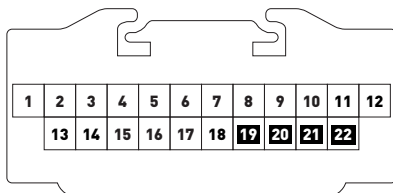


Fig. 2.1

If you don't have wires in PIN 19, 20, 21 and 22, you have a factory amplifier:

- Plug the female GREEN connector to the male GREEN connector of your CH1 T-harness.
- Plug the female WHITE connector to the male WHITE connector of your CH1 T-harness.

If you have wires in PIN 19, 20, 21 and 22, you don't have a factory amplifier:

- Plug the female GREEN connector to the male WHITE connector of your CH1 T-harness.
- Plug the female WHITE connector to the male GREEN connector of your CH1 T-harness.

STEP 3

- Plug the female BLACK connector to the male BLACK connector.

STEP 4

- Connect the factory harness to the CH1 T-harness.

STEP 5

- Access the OBDII connector located under the driver side dashboard.
- Connect the RED/BROWN wire of the CH1 T-harness to the wire located at pin 6 of the OBDII connector. (See the vehicle wire chart reference for wire colors)
- Connect the YELLOW/BROWN wire of the CH1 T-harness to the wire located at pin 14 of the OBDII connector. (See the vehicle wire chart reference for wire colors)

STEP 6

- Plug the aftermarket radio harnesses into the aftermarket radio.
- Plug the Data cable to the data port of the aftermarket radio.
- Insert the Audio cable into the iDatalink 3.5 mm audio jack of the aftermarket radio.

STEP 7

- Connect all the harnesses to the Maestro RR module then proceed to module setup.

MODULE SETUP:

- Insert the key into the ignition and turn it to the ACC position.
- The Radio will turn on and the setup screen will appear. Choose one of the two Bluetooth OPTIONS below:

OPTION 1:

- This option lets the factory Bluetooth system handle calls and the Factory and the aftermarket Bluetooth system stream Audio.
- To use the factory Bluetooth system: (The factory Bluetooth system is OFF by default)
- Scroll down to Chrysler setup and press SET
- Go to the OEM Bluetooth and press ON
- Press the BACK button (circular shaped arrow)
- Scroll down then press FINISH

INSTALLATION INSTRUCTIONS

OPTION 2:

This option lets the aftermarket Bluetooth system handle calls and stream Audio. To use the aftermarket Bluetooth system:

- Scroll to the bottom of the setup screen and press FINISH
- Install the aftermarket microphone

WARNING: Aftermarket Bluetooth system If your phone is paired to the Factory Bluetooth system you must delete the pairing from the phone to the Factory Bluetooth system.

For more information and programming procedures, see the aftermarket Bluetooth system and the factory Bluetooth system owner's manuals.

The module is now programmed and ready to be used. To access the new menus, press on CHRYSLER FEATURES.

Insert the aftermarket radio in the dashboard housing and test all the functionalities. Reassemble the dashboard carefully.

TROUBLESHOOTING TIPS:

- To reset the module back its factory settings, turn the key to the OFF position then disconnect all connectors from the module. Press and hold the module's programming button and connect all the connectors back to the module. Wait, the module's LED will flash RED rapidly (this may take up to 10 seconds). Release the programming button. Wait, the LED will turn solid GREEN for 2 seconds.
- For technical assistance call 1-866-427-2999 or e-mail "support@idatalink.com". Visit us at "maestro.idatalink.com/support" and "www.12voltdata.com/forum/"

OEM BLUETOOTH SETUP

Only one Bluetooth system can be set for hands free calling. This must be determined before installation. Both the factory and aftermarket systems can be used for Bluetooth audio streaming. If the aftermarket Bluetooth is chosen for hands free calling, the aftermarket microphone must be installed in the vehicle.

2013 Kenwood Radios:

For these radio models, the OEM Bluetooth is turned OFF by default. To turn ON the OEM Bluetooth, insert the key into the ignition and turn it to the ACC position. The Radio will turn on

and the setup screen will appear. Scroll to the bottom and select the vehicle set up menu by pressing SET. Go to the option OEM Bluetooth and select ON. Press the return arrow then scroll to the bottom of the page select FINISH.

2014 Kenwood Radios:

For these radio models, the OEM Bluetooth is turned ON by default. To turn OFF the OEM Bluetooth, insert the key into the ignition and turn it to the ACC position. The radio will turn ON and the setup screen will appear. Scroll to the bottom and select the vehicle set up menu by pressing SET. Go to the option OEM Bluetooth and select OFF.

2014 Alpine Radios:

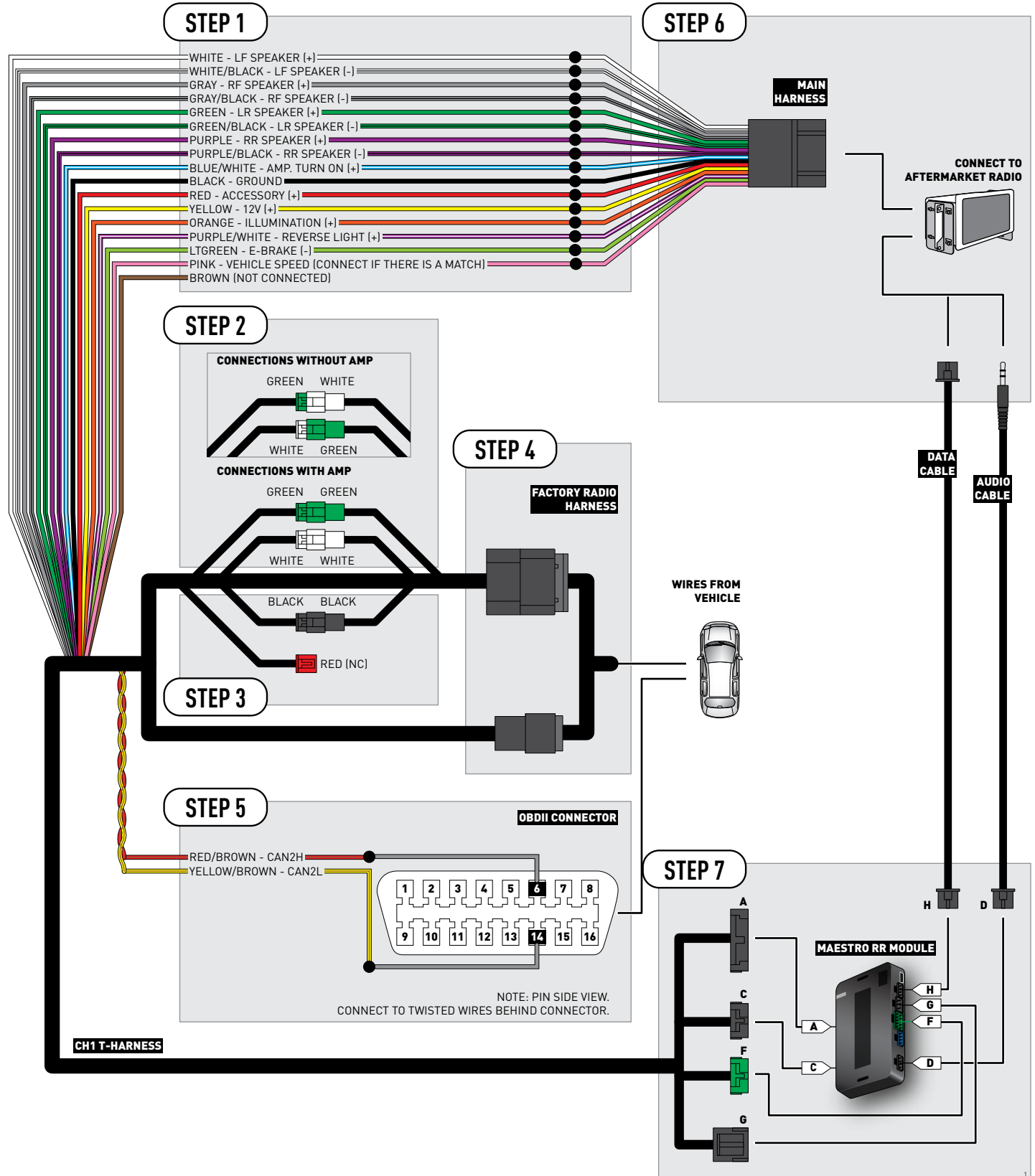
For these radio models, the OEM Bluetooth is turned ON by default. To turn OFF the OEM Bluetooth, insert the key into the ignition and turn it to the ACC position. The radio will turn ON and the main screen will appear. Select the settings button, in the top right corner, then select GENERAL. Select INTEGRATION SETUP then select HANDS FREE CONNECTION. Two options will be available ON or OFF, select OFF.

2014 Pioneer Radios:

For these radio models, the OEM Bluetooth is turned ON by default. To turn OFF the OEM Bluetooth, insert the key into the ignition and turn it to the ACC position. The radio will turn ON and the main screen will appear. Select SETUP, then SYSTEM SETUP, then IDATALINK SETUP and turn OEM Bluetooth to OFF.

Note: Bluetooth audio streaming is not supported by 2014 Pioneer radios.

WIRING DIAGRAM



VEHICLE WIRE REFERENCE CHART

Wire Description	Connector Name	Connector Color	Connector Type	Position	Wire Color	Polarity	Wire Location
CAN2H	OBDII	~	16 pin	06	White/LtBlue	[DATA]	OBDII connector, under driver side dash
CAN2L	OBDII	~	16 pin	14	White/DkBlue	[DATA]	OBDII connector, under driver side dash

RADIO WIRE REFERENCE CHART

Wire Description	Polarity	Wire Color on Maestro T-Harness	Wire Color on Alpine cable	Wire Color on Kenwood cable	Wire Color on Pioneer cable
Illumination	(+)	Orange	N/A	Orange/White	Orange/White
Reverse Light	(+)	Purple/White	Orange/White	Purple/White	Purple/White
E-Brake	(-)	Lt Green	Yellow/Blue	Lt Green	Lt Green
Foot Brake	(+)	Yellow/Black	Yellow/Black	N/A	N/A
VSS (vehicle speed sensor)	(DATA)	Pink	Green/White	N/A	Pink



INSTALL GUIDE JEEP WRANGLER MT 2007-2016

RETAINS STEERING WHEEL CONTROLS, UCONNECT, UCONNECT BLUETOOTH, AND MORE!



PRODUCTS REQUIRED

iDatalink Maestro RR Radio Replacement Interface
iDatalink Maestro CH1 Installation Harness

OPTIONAL ACCESSORIES

ADS-HRN(AV)-CHR01

PROGRAMMED FIRMWARE

ADS-RR(SR)-CHR01-DS

NOTICE: Automotive Data Solutions Inc. (ADS) recommends having this installation performed by a certified technician. Logos and trademarks used here in are the properties of their respective owners.

WELCOME

Congratulations on the purchase of your iDatalink Maestro RR Radio replacement solution. You are now a few simple steps away from enjoying your new car radio with enhanced features.


Before starting your installation, please ensure that your iDatalink Maestro module is programmed with the correct firmware and that you carefully review the Installation Diagram and Vehicle Wire Reference Chart.

Please note that Maestro RR will only retain functionalities that were originally available in the vehicle.

NEED HELP?

 **1 866 427-2999**

 **support@idatalink.com**

 **maestro.idatalink.com/support
www.12voltdata.com/forum**

DURING INSTALLATION

Installation Instructions	3
Wiring Diagram	5
Vehicle Wire Reference Chart	6
Radio Wire Reference Chart	7

INSTALLATION INSTRUCTIONS

STEP 1

- Unbox the aftermarket radio and locate its main harness.
- Connect the wires shown on the next page from aftermarket radio main harness to the CH1 T-harness and match the wire functions.

STEP 2

- Remove the factory radio.
- Access the main 22 pin factory radio connector **(2.1)** and determine if you have a factory amplifier.

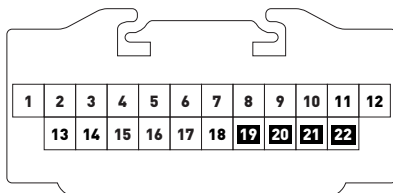


Fig. 2.1

If you don't have wires in PIN 19, 20, 21 and 22, you have a factory amplifier:

- Plug the female GREEN connector to the male GREEN connector of your CH1 T-harness.
- Plug the female WHITE connector to the male WHITE connector of your CH1 T-harness.

If you have wires in PIN 19, 20, 21 and 22, you don't have a factory amplifier:

- Plug the female GREEN connector to the male WHITE connector of your CH1 T-harness.
- Plug the female WHITE connector to the male GREEN connector of your CH1 T-harness.

STEP 3

- Plug the female BLACK connector to the male BLACK connector.

STEP 4

- Connect the factory harness to the CH1 T-harness.

STEP 5

- Access the OBDII connector located under the driver side dashboard.
- Connect the RED/BROWN wire of the CH1 T-harness to the wire located at pin 6 of the OBDII connector. (See the vehicle wire chart reference for wire colors)
- Connect the YELLOW/BROWN wire of the CH1 T-harness to the wire located at pin 14 of the OBDII connector. (See the vehicle wire chart reference for wire colors)

STEP 6

- Plug the aftermarket radio harnesses into the aftermarket radio.
- Plug the Data cable to the data port of the aftermarket radio.
- Insert the Audio cable into the iDatalink 3.5 mm audio jack of the aftermarket radio.

STEP 7

- To connect reverse camera, connect PURPLE/WHITE Reverse Light (+) wire from aftermarket radio to White/Gray wire in harness in passenger kick panel.

STEP 8

- Connect all the harnesses to the Maestro RR module then proceed to module setup.

MODULE SETUP:

- Insert the key into the ignition and turn it to the ACC position.
- The Radio will turn on and the setup screen will appear. Choose one of the two Bluetooth OPTIONS below:

OPTION 1:

This option lets the factory Bluetooth system handle calls and the Factory and the aftermarket Bluetooth system stream Audio.

- To use the factory Bluetooth system: (The factory Bluetooth system is OFF by default)
- Scroll down to Chrysler setup and press SET

INSTALLATION INSTRUCTIONS

- Go to the OEM Bluetooth and press ON
- Press the BACK button (circular shaped arrow)
- Scroll down then press FINISH

OPTION 2:

This option lets the aftermarket Bluetooth system handle calls and stream Audio. To use the aftermarket Bluetooth system:

- Scroll to the bottom of the setup screen and press FINISH
- Install the aftermarket microphone

WARNING: Aftermarket Bluetooth system If your phone is paired to the Factory Bluetooth system you must delete the pairing from the phone to the Factory Bluetooth system.

For more information and programming procedures, see the aftermarket Bluetooth system and the factory Bluetooth system owner's manuals.

The module is now programmed and ready to be used. To access the new menus, press on CHRYSLER FEATURES.

Insert the aftermarket radio in the dashboard housing and test all the functionalities. Reassemble the dashboard carefully.

TROUBLESHOOTING TIPS:

- To reset the module back its factory settings, turn the key to the OFF position then disconnect all connectors from the module. Press and hold the module's programming button and connect all the connectors back to the module. Wait, the module's LED will flash RED rapidly (this may take up to 10 seconds). Release the programming button. Wait, the LED will turn solid GREEN for 2 seconds.
- For technical assistance call 1-866-427-2999 or e-mail "support@idatalink.com". Visit us at "maestro.idatalink.com/support" and "www.12voltdata.com/forum/"

OEM BLUETOOTH SETUP

Only one Bluetooth system can be set for hands free calling. This must be determined before installation. Both the factory and aftermarket systems can be used for Bluetooth audio streaming. If the aftermarket Bluetooth is chosen for hands free calling, the aftermarket microphone must be installed in the vehicle.

2013 Kenwood Radios:

For these radio models, the OEM Bluetooth is turned OFF by default. To turn ON the OEM Bluetooth, insert the key into the ignition and turn it to the ACC position. The Radio will turn on and the setup screen will appear. Scroll to the bottom and select the vehicle set up menu by pressing SET. Go to the option OEM Bluetooth and select ON. Press the return arrow then scroll to the bottom of the page select FINISH.

2014 Kenwood Radios:

For these radio models, the OEM Bluetooth is turned ON by default. To turn OFF the OEM Bluetooth, insert the key into the ignition and turn it to the ACC position. The radio will turn ON and the setup screen will appear. Scroll to the bottom and select the vehicle set up menu by pressing SET. Go to the option OEM Bluetooth and select OFF.

2014 Alpine Radios:

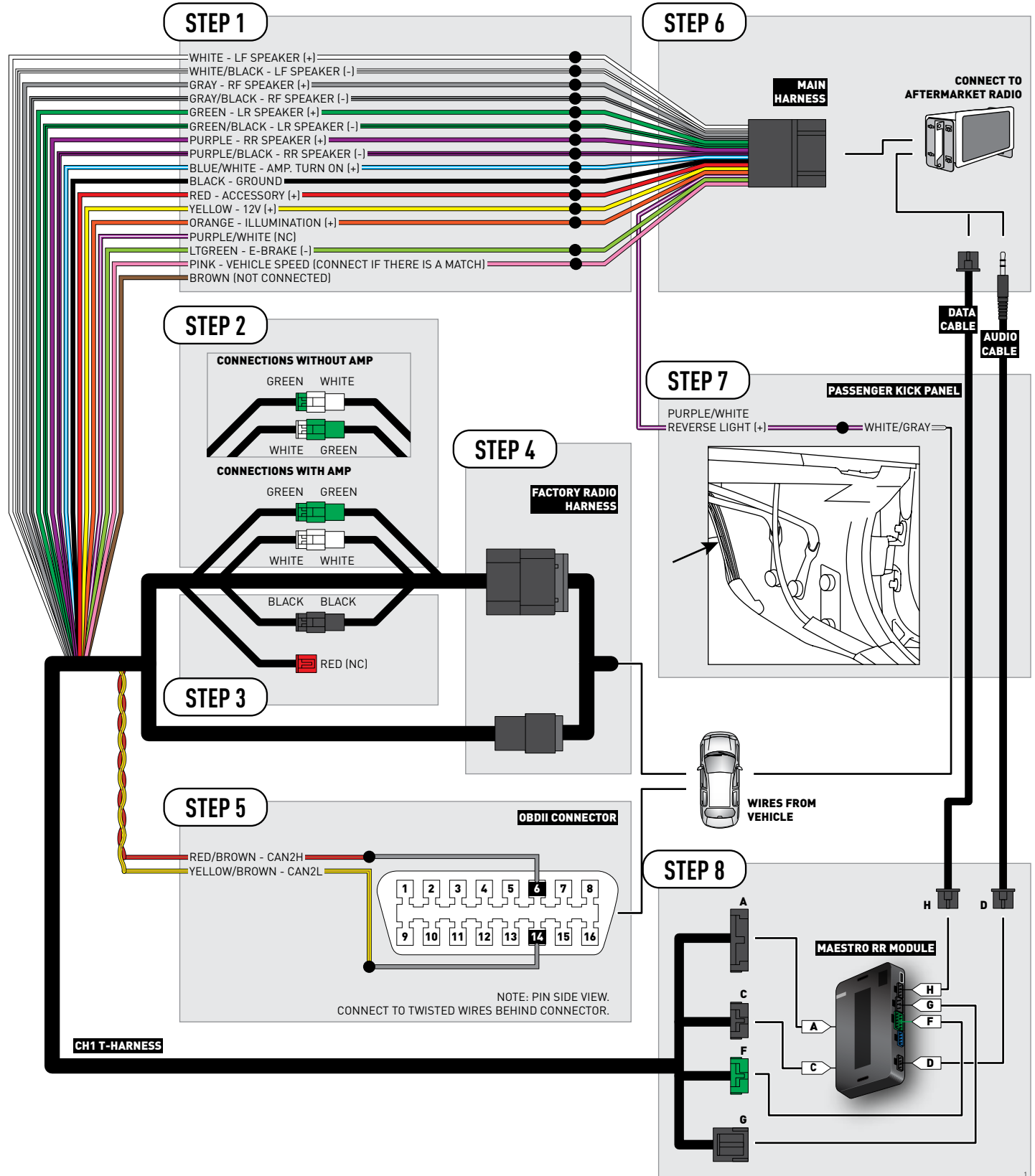
For these radio models, the OEM Bluetooth is turned ON by default. To turn OFF the OEM Bluetooth, insert the key into the ignition and turn it to the ACC position. The radio will turn ON and the main screen will appear. Select the settings button, in the top right corner, then select GENERAL. Select INTEGRATION SETUP then select HANDS FREE CONNECTION. Two options will be available ON or OFF, select OFF.

2014 Pioneer Radios:

For these radio models, the OEM Bluetooth is turned ON by default. To turn OFF the OEM Bluetooth, insert the key into the ignition and turn it to the ACC position. The radio will turn ON and the main screen will appear. Select SETUP, then SYSTEM SETUP, then IDATALINK SETUP and turn OEM Bluetooth to OFF.

Note: Bluetooth audio streaming is not supported by 2014 Pioneer radios.

WIRING DIAGRAM



VEHICLE WIRE REFERENCE CHART

Wire Description	Connector Name	Connector Color	Connector Type	Position	Wire Color	Polarity	Wire Location
CAN2H	OBDII	~	16 pin	06	White/LtBlue	(DATA)	OBDII connector, under driver side dash
CAN2L	OBDII	~	16 pin	14	White/DkBlue	(DATA)	OBDII connector, under driver side dash
Reverse light	~	~	~	~	White/Gray	(+)	Harness in passenger kick panel

RADIO WIRE REFERENCE CHART

Wire Description	Polarity	Wire Color on Maestro T-Harness	Wire Color on Alpine cable	Wire Color on Kenwood cable	Wire Color on Pioneer cable
Illumination	(+)	Orange	N/A	Orange/White	Orange/White
Reverse Light	(+)	Purple/White	Orange/White	Purple/White	Purple/White
E-Brake	(-)	Lt Green	Yellow/Blue	Lt Green	Lt Green
Foot Brake	(+)	Yellow/Black	Yellow/Black	N/A	N/A
VSS (vehicle speed sensor)	(DATA)	Pink	Green/White	N/A	Pink



INSTALL GUIDE MITSUBISHI RAIDER 2008-2009

RETAINS STEERING WHEEL CONTROLS, UCONNECT, UCONNECT BLUETOOTH, AND MORE!



PRODUCTS REQUIRED

iDatalink Maestro RR Radio Replacement Interface
iDatalink Maestro CH1 Installation Harness

OPTIONAL ACCESSORIES

ADS-HRN(AV)-CHR01

PROGRAMMED FIRMWARE

ADS-RR(SR)-CHR01-DS

NOTICE: Automotive Data Solutions Inc. (ADS) recommends having this installation performed by a certified technician. Logos and trademarks used here in are the properties of their respective owners.

WELCOME

Congratulations on the purchase of your iDatalink Maestro RR Radio replacement solution. You are now a few simple steps away from enjoying your new car radio with enhanced features.


Before starting your installation, please ensure that your iDatalink Maestro module is programmed with the correct firmware and that you carefully review the Installation Diagram and Vehicle Wire Reference Chart.

Please note that Maestro RR will only retain functionalities that were originally available in the vehicle.

NEED HELP?

 **1 866 427-2999**

 **support@idatalink.com**

 **maestro.idatalink.com/support
www.12voltdata.com/forum**

DURING INSTALLATION

Installation Instructions	3
Wiring Diagram	5
Vehicle Wire Reference Chart	6
Radio Wire Reference Chart	7

INSTALLATION INSTRUCTIONS

STEP 1

- Unbox the aftermarket radio and locate its main harness.
- Connect the wires shown on the next page from aftermarket radio main harness to the CH1 T-harness and match the wire functions.

STEP 2

- Remove the factory radio.
- Access the main 22 pin factory radio connector **(2.1)** and determine if you have a factory amplifier.

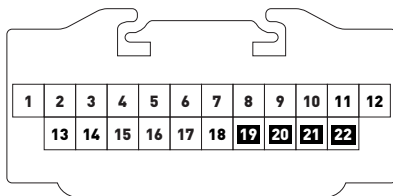


Fig. 2.1

If you don't have wires in PIN 19, 20, 21 and 22, you have a factory amplifier:

- Plug the female GREEN connector to the male GREEN connector of your CH1 T-harness.
- Plug the female WHITE connector to the male WHITE connector of your CH1 T-harness.

If you have wires in PIN 19, 20, 21 and 22, you don't have a factory amplifier:

- Plug the female GREEN connector to the male WHITE connector of your CH1 T-harness.
- Plug the female WHITE connector to the male GREEN connector of your CH1 T-harness.

STEP 3

- Plug the female RED connector to the male BLACK connector.

STEP 4

- Connect the factory harness to the CH1 T-harness.

STEP 5

- Access the OBDII connector located under the driver side dashboard.
- Connect the RED/BROWN wire of the CH1 T-harness to the wire located at pin 6 of the OBDII connector. (See the vehicle wire chart reference for wire colors)
- Connect the YELLOW/BROWN wire of the CH1 T-harness to the wire located at pin 14 of the OBDII connector. (See the vehicle wire chart reference for wire colors)

STEP 6

- Plug the aftermarket radio harnesses into the aftermarket radio.
- Plug the Data cable to the data port of the aftermarket radio.
- Insert the Audio cable into the iDatalink 3.5 mm audio jack of the aftermarket radio.

STEP 7

- Connect all the harnesses to the Maestro RR module then proceed to module setup.

MODULE SETUP:

- Insert the key into the ignition and turn it to the ACC position.
- The Radio will turn on and the setup screen will appear. Choose one of the two Bluetooth OPTIONS below:

OPTION 1:

- This option lets the factory Bluetooth system handle calls and the Factory and the aftermarket Bluetooth system stream Audio.
- To use the factory Bluetooth system: (The factory Bluetooth system is OFF by default)
- Scroll down to Chrysler setup and press SET
- Go to the OEM Bluetooth and press ON
- Press the BACK button (circular shaped arrow)
- Scroll down then press FINISH

INSTALLATION INSTRUCTIONS

OPTION 2:

This option lets the aftermarket Bluetooth system handle calls and stream Audio. To use the aftermarket Bluetooth system:

- Scroll to the bottom of the setup screen and press FINISH
- Install the aftermarket microphone

WARNING: Aftermarket Bluetooth system If your phone is paired to the Factory Bluetooth system you must delete the pairing from the phone to the Factory Bluetooth system.

For more information and programming procedures, see the aftermarket Bluetooth system and the factory Bluetooth system owner's manuals.

The module is now programmed and ready to be used. To access the new menus, press on CHRYSLER FEATURES.

Insert the aftermarket radio in the dashboard housing and test all the functionalities. Reassemble the dashboard carefully.

TROUBLESHOOTING TIPS:

- To reset the module back its factory settings, turn the key to the OFF position then disconnect all connectors from the module. Press and hold the module's programming button and connect all the connectors back to the module. Wait, the module's LED will flash RED rapidly (this may take up to 10 seconds). Release the programming button. Wait, the LED will turn solid GREEN for 2 seconds.
- For technical assistance call 1-866-427-2999 or e-mail "support@idatalink.com". Visit us at "maestro.idatalink.com/support" and "www.12voltdata.com/forum/"

OEM BLUETOOTH SETUP

Only one Bluetooth system can be set for hands free calling. This must be determined before installation. Both the factory and aftermarket systems can be used for Bluetooth audio streaming. If the aftermarket Bluetooth is chosen for hands free calling, the aftermarket microphone must be installed in the vehicle.

2013 Kenwood Radios:

For these radio models, the OEM Bluetooth is turned OFF by default. To turn ON the OEM Bluetooth, insert the key into the ignition and turn it to the ACC position. The Radio will turn on

and the setup screen will appear. Scroll to the bottom and select the vehicle set up menu by pressing SET. Go to the option OEM Bluetooth and select ON. Press the return arrow then scroll to the bottom of the page select FINISH.

2014 Kenwood Radios:

For these radio models, the OEM Bluetooth is turned ON by default. To turn OFF the OEM Bluetooth, insert the key into the ignition and turn it to the ACC position. The radio will turn ON and the setup screen will appear. Scroll to the bottom and select the vehicle set up menu by pressing SET. Go to the option OEM Bluetooth and select OFF.

2014 Alpine Radios:

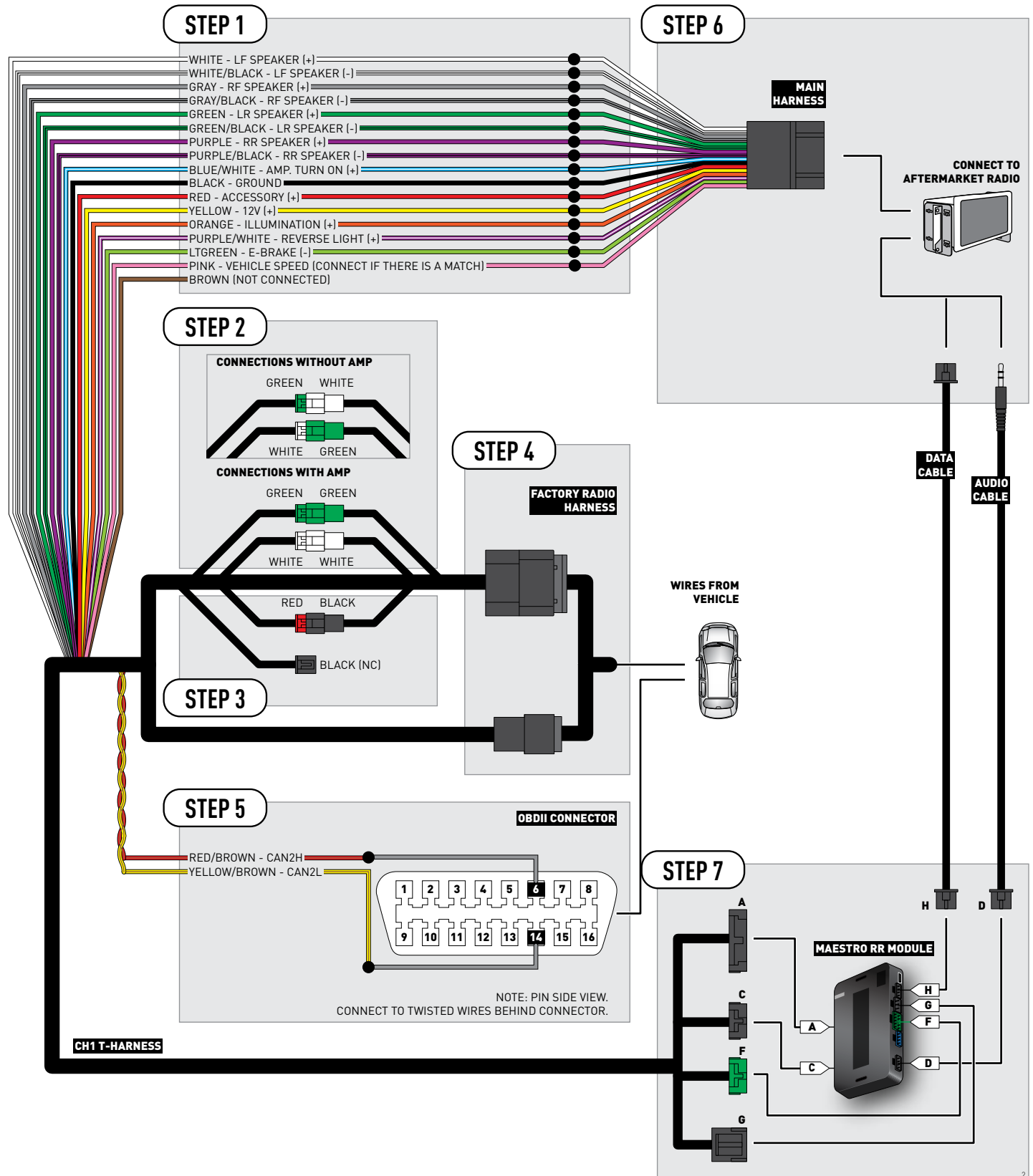
For these radio models, the OEM Bluetooth is turned ON by default. To turn OFF the OEM Bluetooth, insert the key into the ignition and turn it to the ACC position. The radio will turn ON and the main screen will appear. Select the settings button, in the top right corner, then select GENERAL. Select INTEGRATION SETUP then select HANDS FREE CONNECTION. Two options will be available ON or OFF, select OFF.

2014 Pioneer Radios:

For these radio models, the OEM Bluetooth is turned ON by default. To turn OFF the OEM Bluetooth, insert the key into the ignition and turn it to the ACC position. The radio will turn ON and the main screen will appear. Select SETUP, then SYSTEM SETUP, then IDATALINK SETUP and turn OEM Bluetooth to OFF.

Note: Bluetooth audio streaming is not supported by 2014 Pioneer radios.

WIRING DIAGRAM



VEHICLE WIRE REFERENCE CHART

Wire Description	Connector Name	Connector Color	Connector Type	Position	Wire Color	Polarity	Wire Location
CAN2H	OBDII	~	16 pin	06	White/LtBlue	[DATA]	OBDII connector, under driver side dash
CAN2L	OBDII	~	16 pin	14	Pink/Red	[DATA]	OBDII connector, under driver side dash

RADIO WIRE REFERENCE CHART

Wire Description	Polarity	Wire Color on Maestro T-Harness	Wire Color on Alpine cable	Wire Color on Kenwood cable	Wire Color on Pioneer cable
Illumination	(+)	Orange	N/A	Orange/White	Orange/White
Reverse Light	(+)	Purple/White	Orange/White	Purple/White	Purple/White
E-Brake	(-)	Lt Green	Yellow/Blue	Lt Green	Lt Green
Foot Brake	(+)	Yellow/Black	Yellow/Black	N/A	N/A
VSS (vehicle speed sensor)	(DATA)	Pink	Green/White	N/A	Pink



INSTALL GUIDE RAM PICKUP 2009-2012

RETAINS STEERING WHEEL CONTROLS, UCONNECT, UCONNECT BLUETOOTH, AND MORE!



PRODUCTS REQUIRED

iDatalink Maestro RR Radio Replacement Interface
iDatalink Maestro CH1 Installation Harness

OPTIONAL ACCESSORIES

ADS-HRN(AV)-CHR01

PROGRAMMED FIRMWARE

ADS-RR(SR)-CHR01-DS

NOTICE: Automotive Data Solutions Inc. (ADS) recommends having this installation performed by a certified technician. Logos and trademarks used here in are the properties of their respective owners.

WELCOME

Congratulations on the purchase of your iDatalink Maestro RR Radio replacement solution. You are now a few simple steps away from enjoying your new car radio with enhanced features.


Before starting your installation, please ensure that your iDatalink Maestro module is programmed with the correct firmware and that you carefully review the Installation Diagram and Vehicle Wire Reference Chart.

Please note that Maestro RR will only retain functionalities that were originally available in the vehicle.

NEED HELP?

 **1 866 427-2999**

 support@idatalink.com

 maestro.idatalink.com/support
www.12voltdata.com/forum

DURING INSTALLATION

Installation Instructions	3
Wiring Diagram	5
Vehicle Wire Reference Chart	6
Radio Wire Reference Chart	7

INSTALLATION INSTRUCTIONS

STEP 1

- Unbox the aftermarket radio and locate its main harness.
- Connect the wires shown on the next page from aftermarket radio main harness to the CH1 T-harness and match the wire functions.

STEP 2

- Remove the factory radio.
- Access the main 22 pin factory radio connector **(2.1)** and determine if you have a factory amplifier.

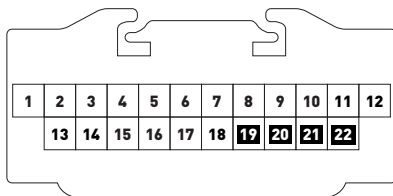


Fig. 2.1

If you don't have wires in PIN 19, 20, 21 and 22, you have a factory amplifier:

- Plug the female GREEN connector to the male GREEN connector of your CH1 T-harness.
- Plug the female WHITE connector to the male WHITE connector of your CH1 T-harness.

If you have wires in PIN 19, 20, 21 and 22, you don't have a factory amplifier:

- Plug the female GREEN connector to the male WHITE connector of your CH1 T-harness.
- Plug the female WHITE connector to the male GREEN connector of your CH1 T-harness.

STEP 3

- Plug the female BLACK connector to the male BLACK connector.

STEP 4

- Connect the factory harness to the CH1 T-harness.

STEP 5

- Access the OBDII connector located under the driver side dashboard.
- Connect the RED/BROWN wire of the CH1 T-harness to the wire located at pin 6 of the OBDII connector. (See the vehicle wire chart reference for wire colors)
- Connect the YELLOW/BROWN wire of the CH1 T-harness to the wire located at pin 14 of the OBDII connector. (See the vehicle wire chart reference for wire colors)

STEP 6

- Plug the aftermarket radio harnesses into the aftermarket radio.
- Plug the Data cable to the data port of the aftermarket radio.
- Insert the Audio cable into the iDatalink 3.5 mm audio jack of the aftermarket radio.

STEP 7

- Connect all the harnesses to the Maestro RR module then proceed to module setup.

MODULE SETUP:

- Insert the key into the ignition and turn it to the ACC position.
- The Radio will turn on and the setup screen will appear. Choose one of the two Bluetooth OPTIONS below:

OPTION 1:

- This option lets the factory Bluetooth system handle calls and the Factory and the aftermarket Bluetooth system stream Audio.
- To use the factory Bluetooth system: (The factory Bluetooth system is OFF by default)
- Scroll down to Chrysler setup and press SET
- Go to the OEM Bluetooth and press ON
- Press the BACK button (circular shaped arrow)
- Scroll down then press FINISH

INSTALLATION INSTRUCTIONS

OPTION 2:

This option lets the aftermarket Bluetooth system handle calls and stream Audio. To use the aftermarket Bluetooth system:

- Scroll to the bottom of the setup screen and press FINISH
- Install the aftermarket microphone

WARNING: Aftermarket Bluetooth system If your phone is paired to the Factory Bluetooth system you must delete the pairing from the phone to the Factory Bluetooth system.

For more information and programming procedures, see the aftermarket Bluetooth system and the factory Bluetooth system owner's manuals.

The module is now programmed and ready to be used. To access the new menus, press on CHRYSLER FEATURES.

Insert the aftermarket radio in the dashboard housing and test all the functionalities. Reassemble the dashboard carefully.

TROUBLESHOOTING TIPS:

- To reset the module back its factory settings, turn the key to the OFF position then disconnect all connectors from the module. Press and hold the module's programming button and connect all the connectors back to the module. Wait, the module's LED will flash RED rapidly (this may take up to 10 seconds). Release the programming button. Wait, the LED will turn solid GREEN for 2 seconds.
- For technical assistance call 1-866-427-2999 or e-mail "support@idatalink.com". Visit us at "maestro.idatalink.com/support" and "www.12voltdata.com/forum/"

OEM BLUETOOTH SETUP

Only one Bluetooth system can be set for hands free calling. This must be determined before installation. Both the factory and aftermarket systems can be used for Bluetooth audio streaming. If the aftermarket Bluetooth is chosen for hands free calling, the aftermarket microphone must be installed in the vehicle.

2013 Kenwood Radios:

For these radio models, the OEM Bluetooth is turned OFF by default. To turn ON the OEM Bluetooth, insert the key into the ignition and turn it to the ACC position. The Radio will turn on

and the setup screen will appear. Scroll to the bottom and select the vehicle set up menu by pressing SET. Go to the option OEM Bluetooth and select ON. Press the return arrow then scroll to the bottom of the page select FINISH.

2014 Kenwood Radios:

For these radio models, the OEM Bluetooth is turned ON by default. To turn OFF the OEM Bluetooth, insert the key into the ignition and turn it to the ACC position. The radio will turn ON and the setup screen will appear. Scroll to the bottom and select the vehicle set up menu by pressing SET. Go to the option OEM Bluetooth and select OFF.

2014 Alpine Radios:

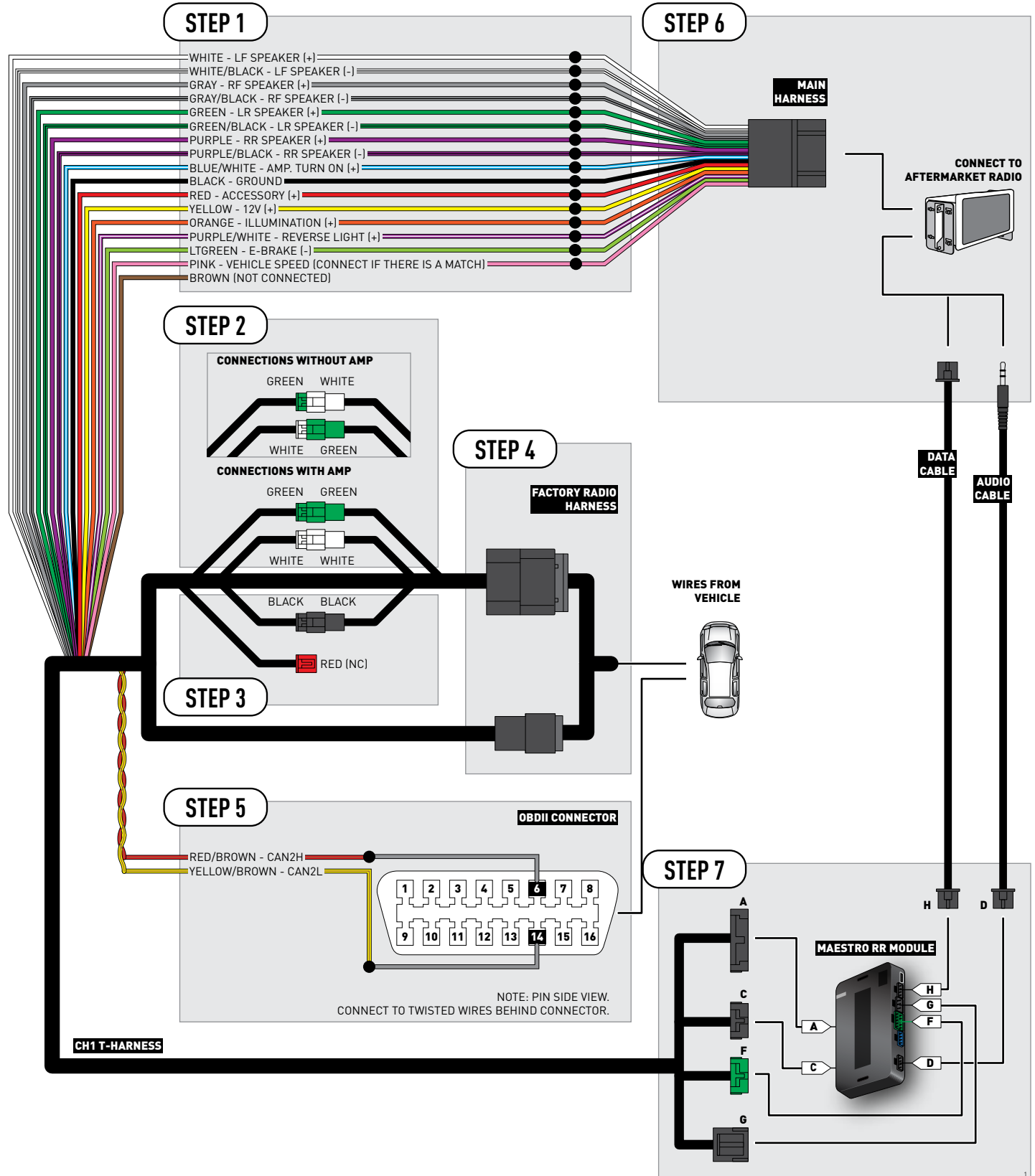
For these radio models, the OEM Bluetooth is turned ON by default. To turn OFF the OEM Bluetooth, insert the key into the ignition and turn it to the ACC position. The radio will turn ON and the main screen will appear. Select the settings button, in the top right corner, then select GENERAL. Select INTEGRATION SETUP then select HANDS FREE CONNECTION. Two options will be available ON or OFF, select OFF.

2014 Pioneer Radios:

For these radio models, the OEM Bluetooth is turned ON by default. To turn OFF the OEM Bluetooth, insert the key into the ignition and turn it to the ACC position. The radio will turn ON and the main screen will appear. Select SETUP, then SYSTEM SETUP, then IDATALINK SETUP and turn OEM Bluetooth to OFF.

Note: Bluetooth audio streaming is not supported by 2014 Pioneer radios.

WIRING DIAGRAM



VEHICLE WIRE REFERENCE CHART

Wire Description	Connector Name	Connector Color	Connector Type	Position	Wire Color	Polarity	Wire Location
CAN2H	OBDII	~	16 pin	06	White/DkGreen	[DATA]	OBDII connector, under driver side dash
CAN2L	OBDII	~	16 pin	14	White/DkBlue	[DATA]	OBDII connector, under driver side dash

RADIO WIRE REFERENCE CHART

Wire Description	Polarity	Wire Color on Maestro T-Harness	Wire Color on Alpine cable	Wire Color on Kenwood cable	Wire Color on Pioneer cable
Illumination	(+)	Orange	N/A	Orange/White	Orange/White
Reverse Light	(+)	Purple/White	Orange/White	Purple/White	Purple/White
E-Brake	(-)	Lt Green	Yellow/Blue	Lt Green	Lt Green
Foot Brake	(+)	Yellow/Black	Yellow/Black	N/A	N/A
VSS (vehicle speed sensor)	(DATA)	Pink	Green/White	N/A	Pink



INSTALL GUIDE VOLKSWAGEN ROUTAN 2008-2011

RETAINS STEERING WHEEL CONTROLS, UCONNECT, UCONNECT BLUETOOTH, AND MORE!



PRODUCTS REQUIRED

iDatalink Maestro RR Radio Replacement Interface
iDatalink Maestro CH1 Installation Harness

OPTIONAL ACCESSORIES

ADS-HRN(AV)-CHR01

PROGRAMMED FIRMWARE

ADS-RR(SR)-CHR01-DS

NOTICE: Automotive Data Solutions Inc. (ADS) recommends having this installation performed by a certified technician. Logos and trademarks used here in are the properties of their respective owners.

WELCOME

Congratulations on the purchase of your iDatalink Maestro RR Radio replacement solution. You are now a few simple steps away from enjoying your new car radio with enhanced features.


Before starting your installation, please ensure that your iDatalink Maestro module is programmed with the correct firmware and that you carefully review the Installation Diagram and Vehicle Wire Reference Chart.

Please note that Maestro RR will only retain functionalities that were originally available in the vehicle.

NEED HELP?

 **1 866 427-2999**

 **support@idatalink.com**

 **maestro.idatalink.com/support**
www.12voltdata.com/forum

DURING INSTALLATION

Installation Instructions	3
Wiring Diagram	5
Vehicle Wire Reference Chart	6
Radio Wire Reference Chart	7

INSTALLATION INSTRUCTIONS

STEP 1

- Unbox the aftermarket radio and locate its main harness.
- Connect the wires shown on the next page from aftermarket radio main harness to the CH1 T-harness and match the wire functions.

STEP 2

- Remove the factory radio.
- Access the main 22 pin factory radio connector **(2.1)** and determine if you have a factory amplifier.

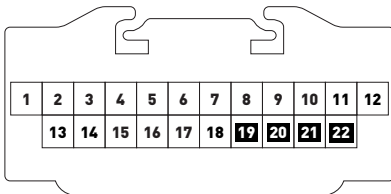


Fig. 2.1

If you don't have wires in PIN 19, 20, 21 and 22, you have a factory amplifier:

- Plug the female GREEN connector to the male GREEN connector of your CH1 T-harness.
- Plug the female WHITE connector to the male WHITE connector of your CH1 T-harness.

If you have wires in PIN 19, 20, 21 and 22, you don't have a factory amplifier:

- Plug the female GREEN connector to the male WHITE connector of your CH1 T-harness.
- Plug the female WHITE connector to the male GREEN connector of your CH1 T-harness.

STEP 3

- Plug the female BLACK connector to the male BLACK connector.

STEP 4

- Connect the factory harness to the CH1 T-harness.

STEP 5

- Access the OBDII connector located under the driver side dashboard.
- Connect the RED/BROWN wire of the CH1 T-harness to the wire located at pin 6 of the OBDII connector. (See the vehicle wire chart reference for wire colors)
- Connect the YELLOW/BROWN wire of the CH1 T-harness to the wire located at pin 14 of the OBDII connector. (See the vehicle wire chart reference for wire colors)

STEP 6

- Plug the aftermarket radio harnesses into the aftermarket radio.
- Plug the Data cable to the data port of the aftermarket radio.
- Insert the Audio cable into the iDatalink 3.5 mm audio jack of the aftermarket radio.

STEP 7

- Connect all the harnesses to the Maestro RR module then proceed to module setup.

MODULE SETUP:

- Insert the key into the ignition and turn it to the ACC position.
- The Radio will turn on and the setup screen will appear. Choose one of the two Bluetooth OPTIONS below:

OPTION 1:

- This option lets the factory Bluetooth system handle calls and the Factory and the aftermarket Bluetooth system stream Audio.
- To use the factory Bluetooth system: (The factory Bluetooth system is OFF by default)
- Scroll down to Chrysler setup and press SET
- Go to the OEM Bluetooth and press ON
- Press the BACK button (circular shaped arrow)
- Scroll down then press FINISH

INSTALLATION INSTRUCTIONS

OPTION 2:

This option lets the aftermarket Bluetooth system handle calls and stream Audio. To use the aftermarket Bluetooth system:

- Scroll to the bottom of the setup screen and press FINISH
- Install the aftermarket microphone

WARNING: Aftermarket Bluetooth system If your phone is paired to the Factory Bluetooth system you must delete the pairing from the phone to the Factory Bluetooth system.

For more information and programming procedures, see the aftermarket Bluetooth system and the factory Bluetooth system owner's manuals.

The module is now programmed and ready to be used. To access the new menus, press on CHRYSLER FEATURES.

Insert the aftermarket radio in the dashboard housing and test all the functionalities. Reassemble the dashboard carefully.

TROUBLESHOOTING TIPS:

- To reset the module back its factory settings, turn the key to the OFF position then disconnect all connectors from the module. Press and hold the module's programming button and connect all the connectors back to the module. Wait, the module's LED will flash RED rapidly (this may take up to 10 seconds). Release the programming button. Wait, the LED will turn solid GREEN for 2 seconds.
- For technical assistance call 1-866-427-2999 or e-mail "support@idatalink.com". Visit us at "maestro.idatalink.com/support" and "www.12voltdata.com/forum/"

OEM BLUETOOTH SETUP

Only one Bluetooth system can be set for hands free calling. This must be determined before installation. Both the factory and aftermarket systems can be used for Bluetooth audio streaming. If the aftermarket Bluetooth is chosen for hands free calling, the aftermarket microphone must be installed in the vehicle.

2013 Kenwood Radios:

For these radio models, the OEM Bluetooth is turned OFF by default. To turn ON the OEM Bluetooth, insert the key into the ignition and turn it to the ACC position. The Radio will turn on

and the setup screen will appear. Scroll to the bottom and select the vehicle set up menu by pressing SET. Go to the option OEM Bluetooth and select ON. Press the return arrow then scroll to the bottom of the page select FINISH.

2014 Kenwood Radios:

For these radio models, the OEM Bluetooth is turned ON by default. To turn OFF the OEM Bluetooth, insert the key into the ignition and turn it to the ACC position. The radio will turn ON and the setup screen will appear. Scroll to the bottom and select the vehicle set up menu by pressing SET. Go to the option OEM Bluetooth and select OFF.

2014 Alpine Radios:

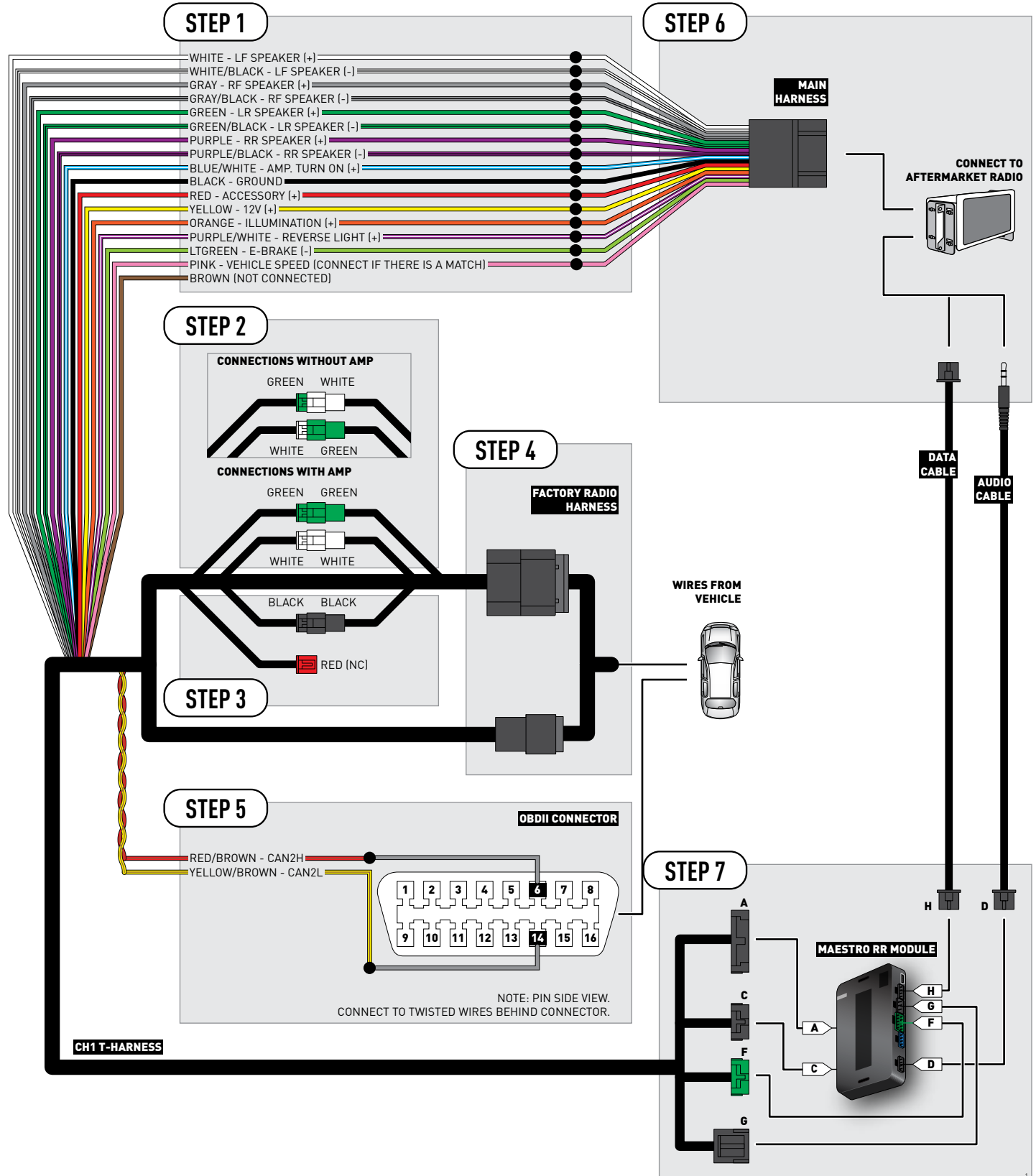
For these radio models, the OEM Bluetooth is turned ON by default. To turn OFF the OEM Bluetooth, insert the key into the ignition and turn it to the ACC position. The radio will turn ON and the main screen will appear. Select the settings button, in the top right corner, then select GENERAL. Select INTEGRATION SETUP then select HANDS FREE CONNECTION. Two options will be available ON or OFF, select OFF.

2014 Pioneer Radios:

For these radio models, the OEM Bluetooth is turned ON by default. To turn OFF the OEM Bluetooth, insert the key into the ignition and turn it to the ACC position. The radio will turn ON and the main screen will appear. Select SETUP, then SYSTEM SETUP, then IDATALINK SETUP and turn OEM Bluetooth to OFF.

Note: Bluetooth audio streaming is not supported by 2014 Pioneer radios.

WIRING DIAGRAM



VEHICLE WIRE REFERENCE CHART

Wire Description	Connector Name	Connector Color	Connector Type	Position	Wire Color	Polarity	Wire Location
CAN2H	OBDII	~	16 pin	06	White/LtBlue	[DATA]	OBDII connector, under driver side dash
CAN2L	OBDII	~	16 pin	14	White/DkBlue	[DATA]	OBDII connector, under driver side dash

RADIO WIRE REFERENCE CHART

Wire Description	Polarity	Wire Color on Maestro T-Harness	Wire Color on Alpine cable	Wire Color on Kenwood cable	Wire Color on Pioneer cable
Illumination	(+)	Orange	N/A	Orange/White	Orange/White
Reverse Light	(+)	Purple/White	Orange/White	Purple/White	Purple/White
E-Brake	(-)	Lt Green	Yellow/Blue	Lt Green	Lt Green
Foot Brake	(+)	Yellow/Black	Yellow/Black	N/A	N/A
VSS (vehicle speed sensor)	(DATA)	Pink	Green/White	N/A	Pink



INSTALL GUIDE VOLKSWAGEN ROUTAN 2012-2014

RETAINS STEERING WHEEL CONTROLS, UCONNECT, UCONNECT BLUETOOTH, AND MORE!



PRODUCTS REQUIRED

iDatalink Maestro RR Radio Replacement Interface
iDatalink Maestro CH1 Installation Harness

OPTIONAL ACCESSORIES

ADS-HRN(AV)-CHR01

PROGRAMMED FIRMWARE

ADS-RR(SR)-CHR01-DS

NOTICE: Automotive Data Solutions Inc. (ADS) recommends having this installation performed by a certified technician. Logos and trademarks used here in are the properties of their respective owners.

WELCOME

Congratulations on the purchase of your iDatalink Maestro RR Radio replacement solution. You are now a few simple steps away from enjoying your new car radio with enhanced features.


Before starting your installation, please ensure that your iDatalink Maestro module is programmed with the correct firmware and that you carefully review the Installation Diagram and Vehicle Wire Reference Chart.

Please note that Maestro RR will only retain functionalities that were originally available in the vehicle.

NEED HELP?

 **1 866 427-2999**

 **support@idatalink.com**

 **maestro.idatalink.com/support
www.12voltdata.com/forum**

DURING INSTALLATION

Installation Instructions	3
Wiring Diagram	5
Vehicle Wire Reference Chart	6
Radio Wire Reference Chart	7

INSTALLATION INSTRUCTIONS

STEP 1

- Unbox the aftermarket radio and locate its main harness.
- Connect the wires shown on the next page from aftermarket radio main harness to the CH1 T-harness and match the wire functions.

STEP 2

- Remove the factory radio.
- Access the main 22 pin factory radio connector **(2.1)** and determine if you have a factory amplifier.

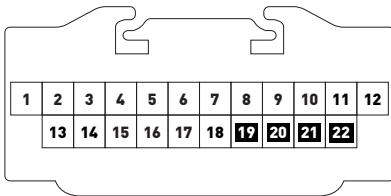


Fig. 2.1

If you don't have wires in PIN 19, 20, 21 and 22, you have a factory amplifier:

- Plug the female GREEN connector to the male GREEN connector of your CH1 T-harness.
- Plug the female WHITE connector to the male WHITE connector of your CH1 T-harness.

If you have wires in PIN 19, 20, 21 and 22, you don't have a factory amplifier:

- Plug the female GREEN connector to the male WHITE connector of your CH1 T-harness.
- Plug the female WHITE connector to the male GREEN connector of your CH1 T-harness.

STEP 3

- Plug the female BLACK connector to the male BLACK connector.

STEP 4

- Connect the factory harness to the CH1 T-harness.

STEP 5

- Access the OBDII connector located under the driver side dashboard.
- Connect the RED/BROWN wire of the CH1 T-harness to the wire located at pin 6 of the OBDII connector. (See the vehicle wire chart reference for wire colors)
- Connect the YELLOW/BROWN wire of the CH1 T-harness to the wire located at pin 14 of the OBDII connector. (See the vehicle wire chart reference for wire colors)

STEP 6

- Plug the aftermarket radio harnesses into the aftermarket radio.
- Plug the Data cable to the data port of the aftermarket radio.
- Insert the Audio cable into the iDatalink 3.5 mm audio jack of the aftermarket radio.

STEP 7

- Connect all the harnesses to the Maestro RR module then proceed to module setup.

MODULE SETUP:

- Insert the key into the ignition and turn it to the ACC position.
- The Radio will turn on and the setup screen will appear. Choose one of the two Bluetooth OPTIONS below:

OPTION 1:

- This option lets the factory Bluetooth system handle calls and the Factory and the aftermarket Bluetooth system stream Audio.
- To use the factory Bluetooth system: (The factory Bluetooth system is OFF by default)
- Scroll down to Chrysler setup and press SET
- Go to the OEM Bluetooth and press ON
- Press the BACK button (circular shaped arrow)
- Scroll down then press FINISH

INSTALLATION INSTRUCTIONS

OPTION 2:

This option lets the aftermarket Bluetooth system handle calls and stream Audio. To use the aftermarket Bluetooth system:

- Scroll to the bottom of the setup screen and press FINISH
- Install the aftermarket microphone

WARNING: Aftermarket Bluetooth system If your phone is paired to the Factory Bluetooth system you must delete the pairing from the phone to the Factory Bluetooth system.

For more information and programming procedures, see the aftermarket Bluetooth system and the factory Bluetooth system owner's manuals.

The module is now programmed and ready to be used. To access the new menus, press on CHRYSLER FEATURES.

Insert the aftermarket radio in the dashboard housing and test all the functionalities. Reassemble the dashboard carefully.

TROUBLESHOOTING TIPS:

- To reset the module back its factory settings, turn the key to the OFF position then disconnect all connectors from the module. Press and hold the module's programming button and connect all the connectors back to the module. Wait, the module's LED will flash RED rapidly (this may take up to 10 seconds). Release the programming button. Wait, the LED will turn solid GREEN for 2 seconds.
- For technical assistance call 1-866-427-2999 or e-mail "support@idatalink.com". Visit us at "maestro.idatalink.com/support" and "www.12voltdata.com/forum/"

OEM BLUETOOTH SETUP

Only one Bluetooth system can be set for hands free calling. This must be determined before installation. Both the factory and aftermarket systems can be used for Bluetooth audio streaming. If the aftermarket Bluetooth is chosen for hands free calling, the aftermarket microphone must be installed in the vehicle.

2013 Kenwood Radios:

For these radio models, the OEM Bluetooth is turned OFF by default. To turn ON the OEM Bluetooth, insert the key into the ignition and turn it to the ACC position. The Radio will turn on

and the setup screen will appear. Scroll to the bottom and select the vehicle set up menu by pressing SET. Go to the option OEM Bluetooth and select ON. Press the return arrow then scroll to the bottom of the page select FINISH.

2014 Kenwood Radios:

For these radio models, the OEM Bluetooth is turned ON by default. To turn OFF the OEM Bluetooth, insert the key into the ignition and turn it to the ACC position. The radio will turn ON and the setup screen will appear. Scroll to the bottom and select the vehicle set up menu by pressing SET. Go to the option OEM Bluetooth and select OFF.

2014 Alpine Radios:

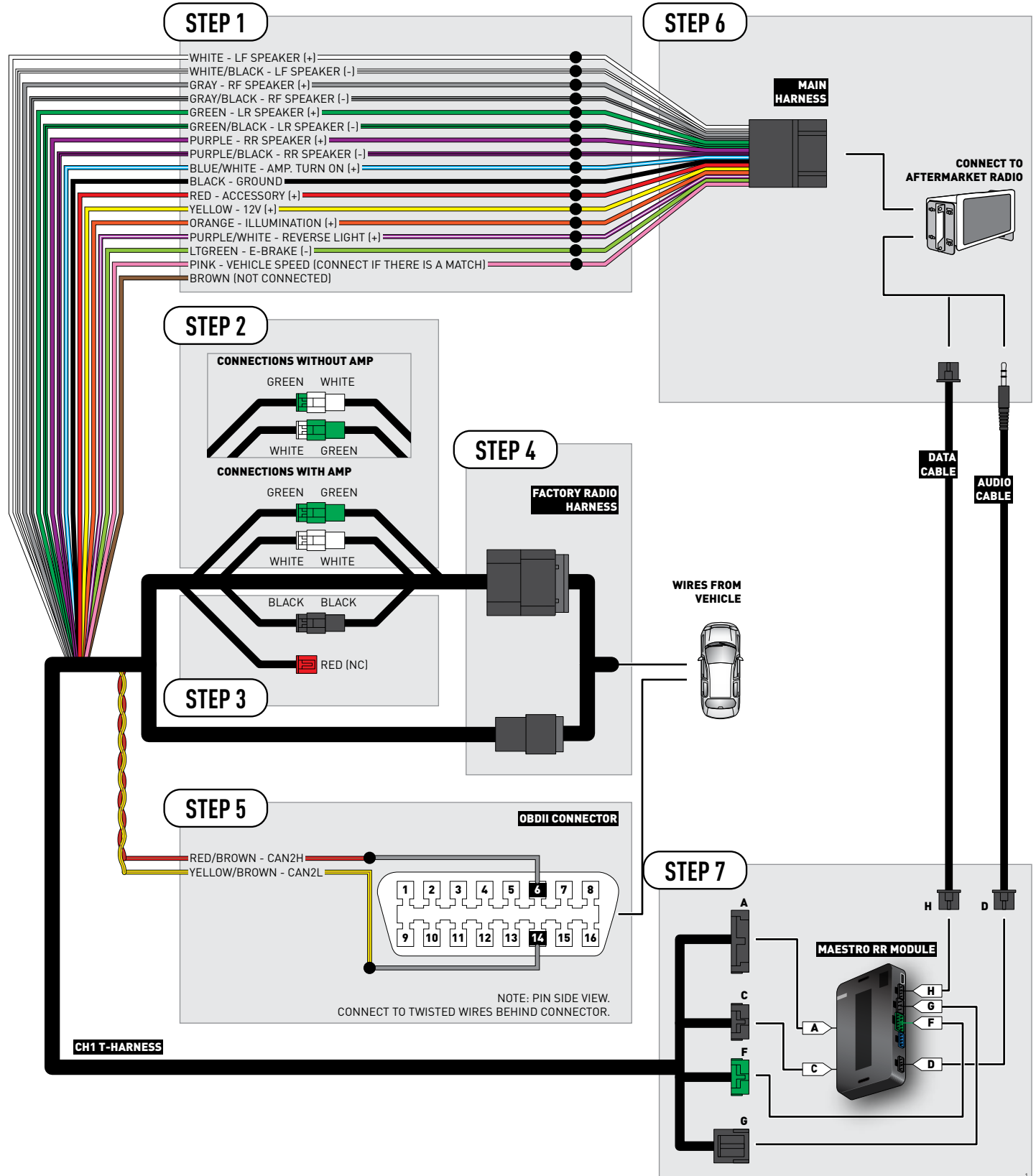
For these radio models, the OEM Bluetooth is turned ON by default. To turn OFF the OEM Bluetooth, insert the key into the ignition and turn it to the ACC position. The radio will turn ON and the main screen will appear. Select the settings button, in the top right corner, then select GENERAL. Select INTEGRATION SETUP then select HANDS FREE CONNECTION. Two options will be available ON or OFF, select OFF.

2014 Pioneer Radios:

For these radio models, the OEM Bluetooth is turned ON by default. To turn OFF the OEM Bluetooth, insert the key into the ignition and turn it to the ACC position. The radio will turn ON and the main screen will appear. Select SETUP, then SYSTEM SETUP, then IDATALINK SETUP and turn OEM Bluetooth to OFF.

Note: Bluetooth audio streaming is not supported by 2014 Pioneer radios.

WIRING DIAGRAM



VEHICLE WIRE REFERENCE CHART

Wire Description	Connector Name	Connector Color	Connector Type	Position	Wire Color	Polarity	Wire Location
CAN2H	OBDII	~	16 pin	06	White/LtBlue	[DATA]	OBDII connector, under driver side dash
CAN2L	OBDII	~	16 pin	14	White	[DATA]	OBDII connector, under driver side dash

RADIO WIRE REFERENCE CHART

Wire Description	Polarity	Wire Color on Maestro T-Harness	Wire Color on Alpine cable	Wire Color on Kenwood cable	Wire Color on Pioneer cable
Illumination	(+)	Orange	N/A	Orange/White	Orange/White
Reverse Light	(+)	Purple/White	Orange/White	Purple/White	Purple/White
E-Brake	(-)	Lt Green	Yellow/Blue	Lt Green	Lt Green
Foot Brake	(+)	Yellow/Black	Yellow/Black	N/A	N/A
VSS (vehicle speed sensor)	(DATA)	Pink	Green/White	N/A	Pink